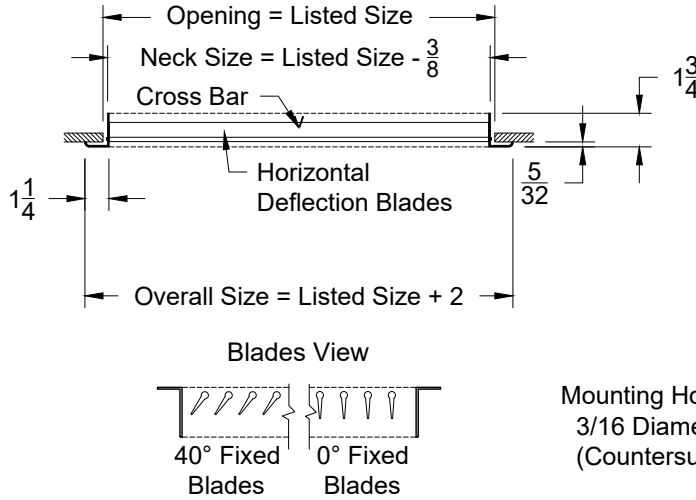
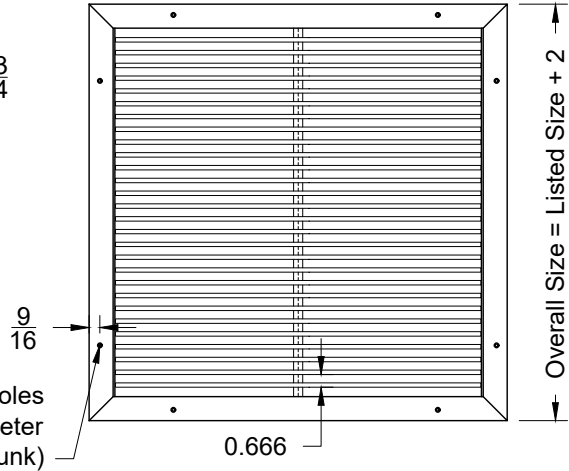


Model: XG-H4002RS-1 0° & 40° Fixed Blade - Horizontal Blades - Flush Surface Mount  
 XG-H4002RS-6 0° & 40° Fixed Blade - Horizontal Blades - T-Bar Lay-In

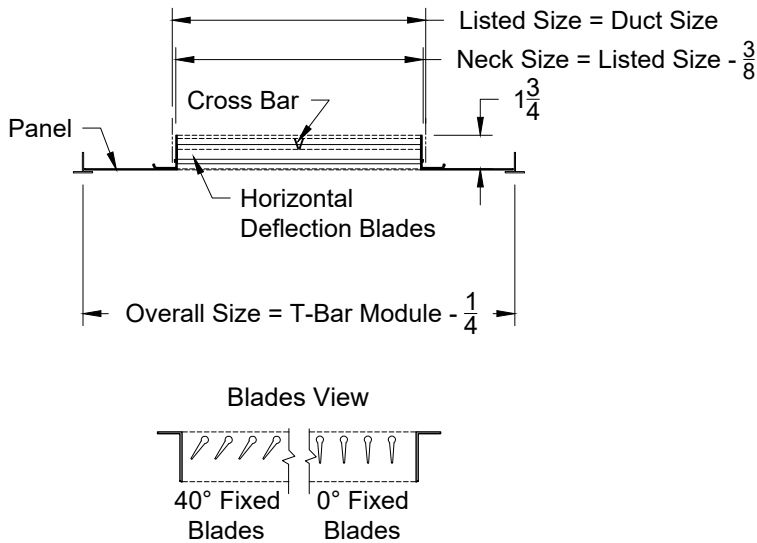
### XG-H4002RS-1 - Flush Surface Mount



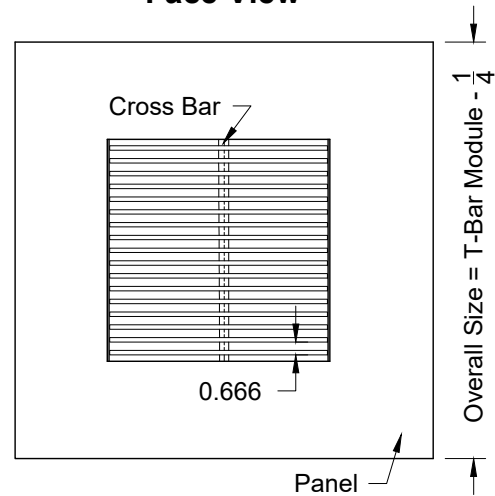
### Face View



### XG-H4002RS-6 - T-Bar Lay-In



### Face View



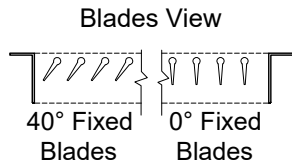
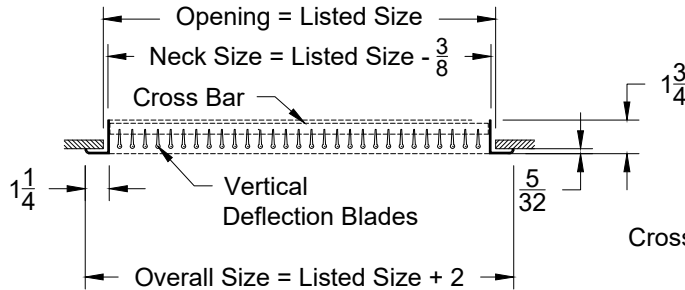
Note: This product complies with NFPA 90A-18 standard 4.3.7.3.2 and 4.3.8.3.2 and is constructed with openings through which a 1/2" sphere can not pass.

1. Available Finishes	2. Available Accessories	3. Available Options	4. Construction Details
Standard Finish: 01 White Finish 24 Mill Finish Optional Finish 02 Satin Silver 03 Black	XG-OBD - Steel Opposed Blade Damper XG-OBDA - Aluminum OBD XG-L9 - Equalizing Grid XG-PF - Plaster Frame XG-TBPF - T-Bar Plaster Frame XG-LIPF - Lay-In Plaster Frame XG-TR - Square to Round Transition XG-TR-Deep - Deep Transition	IS - Insect Screen FGBP - Fiberglass Backpan CM - Concealed Mount	<ul style="list-style-type: none"> <li>• Oversized Units made in multiple sections</li> <li>• Largest single section is 48x48</li> <li>• Mullion strips provided for joining units in field</li> </ul>

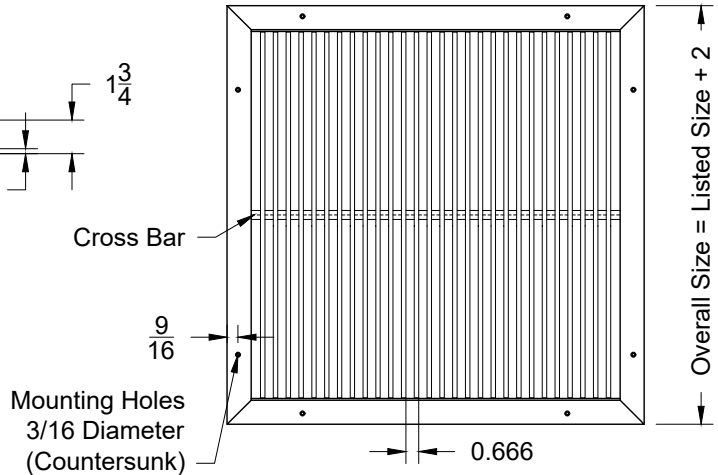
All Dimensions ±1/16"

Model: XG-V4002RS-1 0° & 40° Fixed Blade - Vertical Blades - Flush Surface Mount  
 XG-V4002RS-6 0° & 40° Fixed Blade - Vertical Blades - T-Bar Lay In

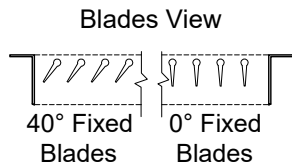
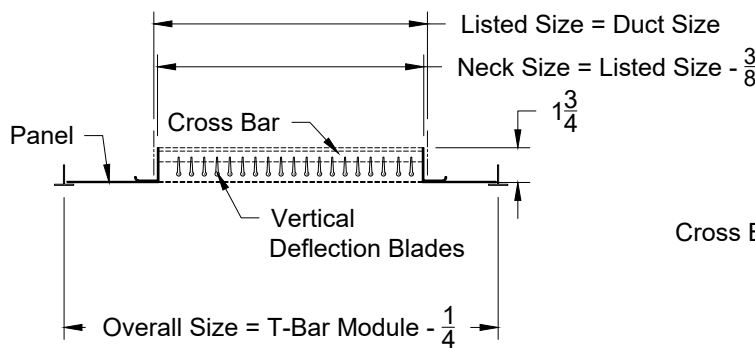
### XG-V4002RS-1 - Flush Surface Mount



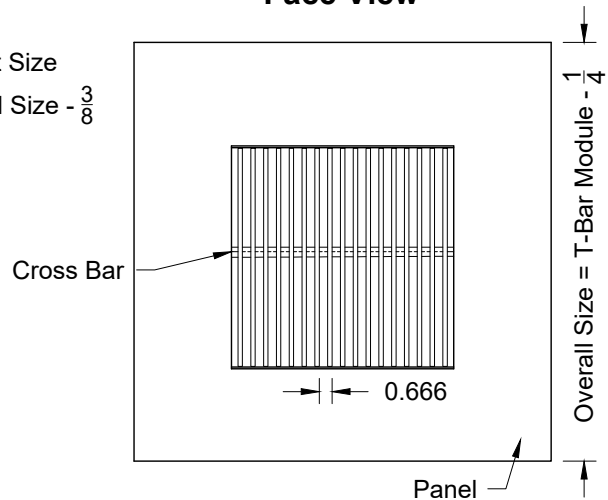
### Face View



### XG-V4002RS-6 - T-Bar Lay-In



### Face View



Note: This product complies with NFPA 90A-18 standard 4.3.7.3.2 and 4.3.8.3.2 and is constructed with openings through which a 1/2" sphere can not pass.

1. Available Finishes	2. Available Accessories	3. Available Options	4. Construction Details
Standard Finish: 01 White Finish 24 Mill Finish Optional Finish 02 Satin Silver 03 Black	XG-OBDD - Steel Opposed Blade Damper XG-OBDA - Aluminum OBD XG-L9 - Equalizing Grid XG-PF - Plaster Frame XG-TBPF - T-Bar Plaster Frame XG-LIPF - Lay-In Plaster Frame XG-TR - Square to Round Transition XG-TR-Deep - Deep Transition	IS - Insect Screen FGFB - Fiberglass Backpan CM - Concealed Mount	<ul style="list-style-type: none"> <li>• Oversized Units made in multiple sections</li> <li>• Largest single section is 48x48</li> <li>• Mullion strips provided for joining units in field</li> </ul>

All Dimensions ±1/16"