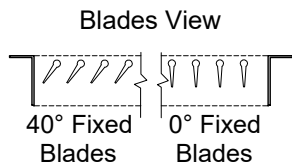
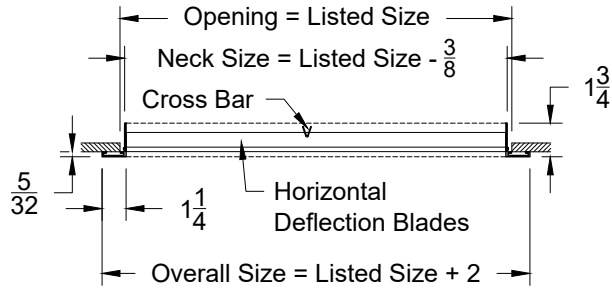
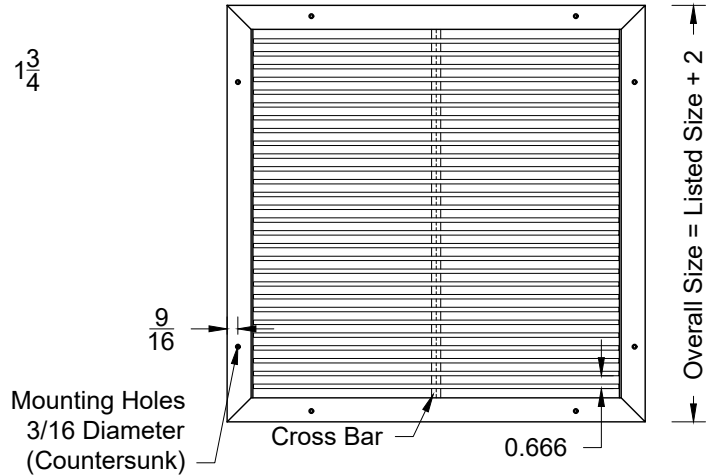


Model: XG-H4002R-1 0° & 40° Fixed Blade - Horizontal Blades - Flush Surface Mount
 XG-H4002R-6 0° & 40° Fixed Blade - Horizontal Blades - T-Bar Lay-In

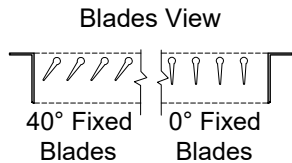
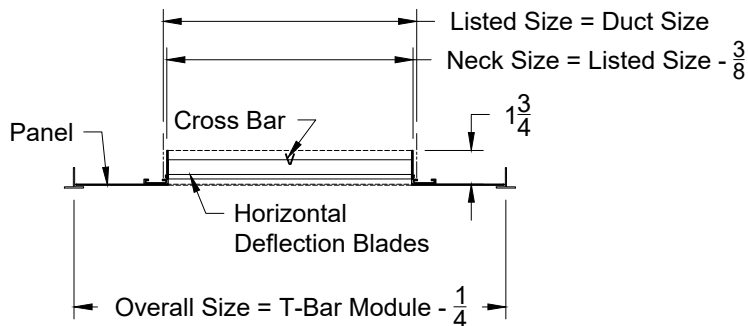
XG-H4002R-1 - Flush Surface Mount



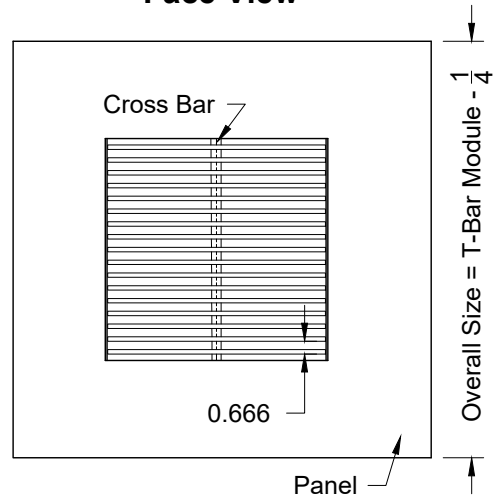
Face View



XG-H4002R-6 - T-Bar Lay-In



Face View



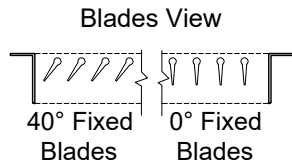
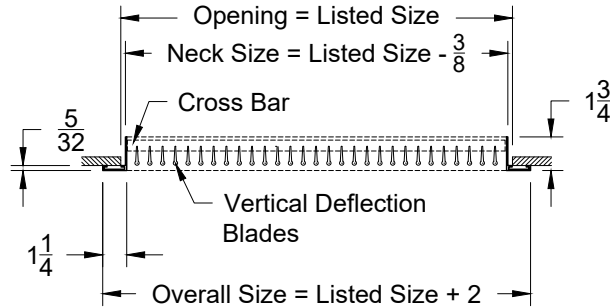
Note: This product complies with NFPA 90A-18 standard 4.3.7.3.2 and 4.3.8.3.2 and is constructed with openings through which a 1/2" sphere can not pass.

| 1. Available Finishes | 2. Available Accessories | 3. Available Options | 4. Construction Details |
|--|---|---|---|
| Standard Finish: 01 White Finish 24 Mill Finish Optional Finish 02 Satin Silver 03 Black | XG-OBDA - Steel Opposed Blade Damper XG-OBDA - Aluminum OBD XG-L9 - Equalizing Grid XG-PF - Plaster Frame XG-TBPF - T-Bar Plaster Frame XG-LIPF - Lay-In Plaster Frame XG-TR - Square to Round Transition XG-TR-Deep - Deep Transition | IS - Insect Screen NSH - No Screw Holes FGBP - Fiberglass Backpan | <ul style="list-style-type: none"> • Oversized Units made in multiple sections • Largest single section is 48x48 • Mullion strips provided for joining units in field • Available in MRI-compatible aluminum construction |

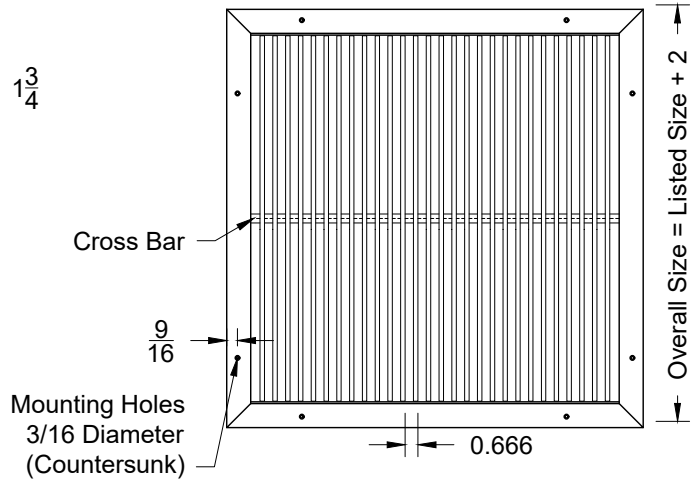
All Dimensions ±1/16"

Model: XG-V4002R-1 0° & 40° Fixed Blade - Vertical Blades - Flush Surface Mount
 XG-V4002R-6 0° & 40° Fixed Blade - Vertical Blades - T-Bar Lay-In

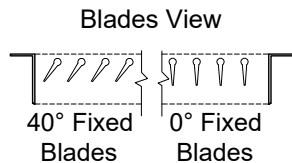
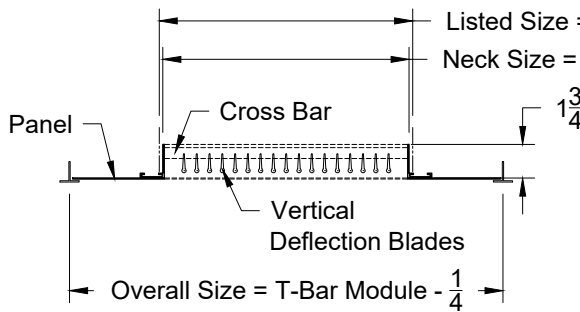
XG-V4002R-1 - Flush Surface Mount



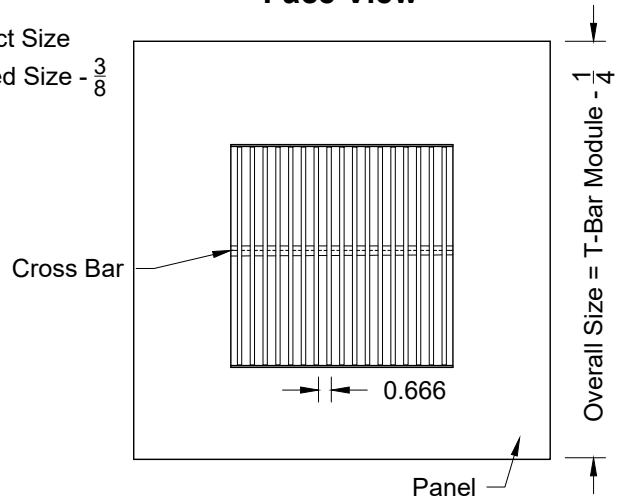
Face View



XG-V4002R-6 - T-Bar Lay-In



Face View



Note: This product complies with NFPA 90A-18 standard 4.3.7.3.2 and 4.3.8.3.2 and is constructed with openings through which a 1/2" sphere can not pass.

| 1. Available Finishes | 2. Available Accessories | 3. Available Options | 4. Construction Details |
|--|--|---|---|
| Standard Finish: 01 White Finish 24 Mill Finish Optional Finish 02 Satin Silver 03 Black | XG-OBD - Steel Opposed Blade Damper XG-OBDA - Aluminum OBD XG-L9 - Equalizing Grid XG-PF - Plaster Frame XG-TBPF - T-Bar Plaster Frame XG-LIPF - Lay-In Plaster Frame XG-TR - Square to Round Transition XG-TR-Deep - Deep Transition | IS - Insect Screen NSH - No Screw Holes FGBP - Fiberglass Backpan | <ul style="list-style-type: none"> ● Oversized Units made in multiple sections ● Largest single section is 48x48 ● Mullion strips provided for joining units in field ● Available in MRI-compatible aluminum construction |

All Dimensions ±1/16"