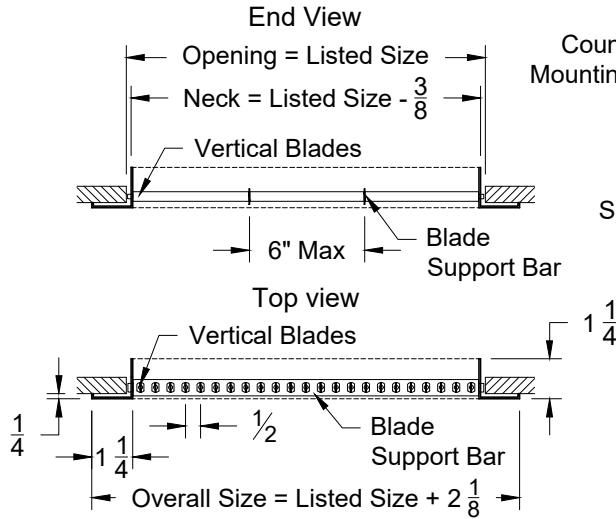
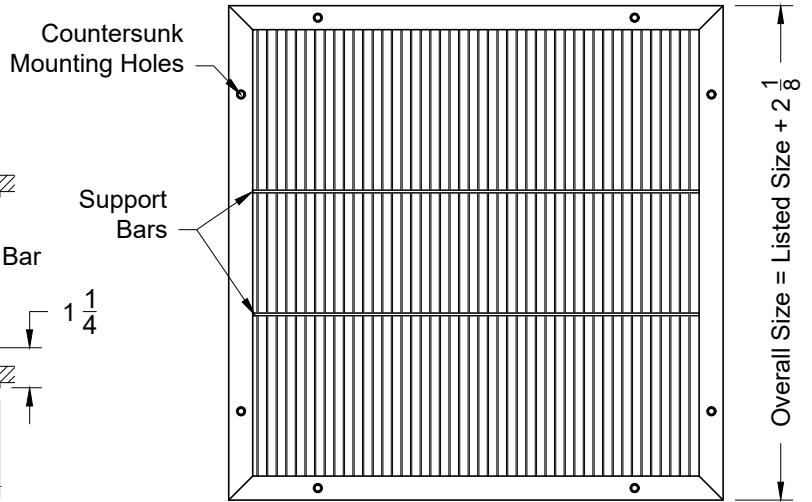


Model: XG-V4502-1 Vertical Blades - Flush Surface Mount  
 XG-H4502-1 Horizontal Blades - Flush Surface Mount

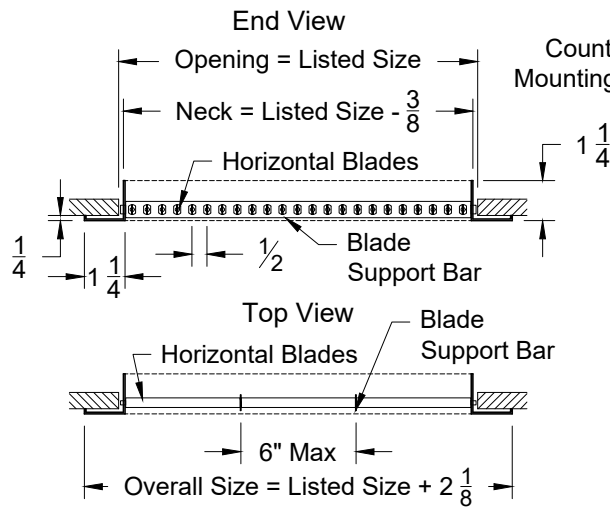
### XG-V4502-1 - Flush Surface Mount



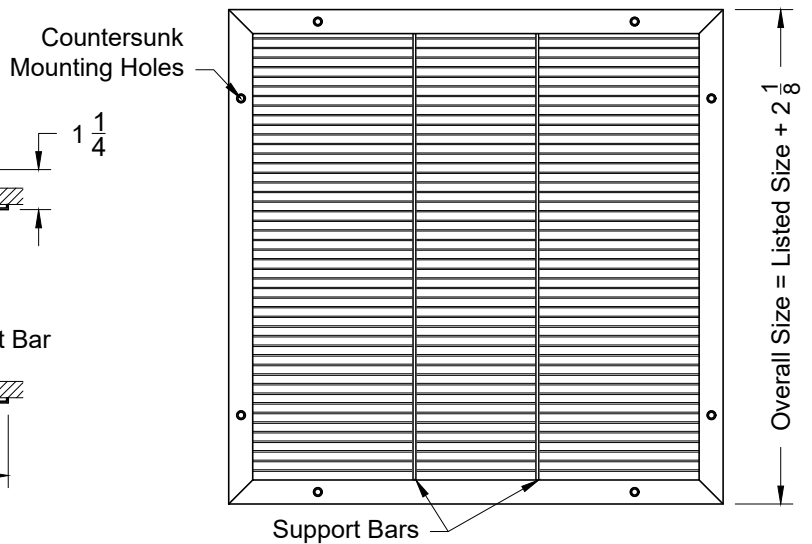
### Face View



### XG-H4502-1 - Flush Surface Mount



### Face View



Note: This product complies with NFPA 90A-18 standard 4.3.7.3.2 and 4.3.8.3.2 and is constructed with openings through which a 1/2" sphere can not pass.

1. Available Finishes	2. Available Accessories	3. Available Options	4. Construction Details
Standard Finish: 01 White Optional Finish 02 Satin Silver 03 Black 28 Custom Color	XG-OBDE - OBD Extruded Aluminum XG-L9 - Equalizing Grid XG-PF - Plaster Frame	XG-NSH - No Screw Holes	<ul style="list-style-type: none"> <li>• Oversized Units made in multiple sections</li> <li>• Largest single section is 48x48</li> <li>• Mullion strips provided for joining units in field</li> </ul>

All Dimensions ±1/16"