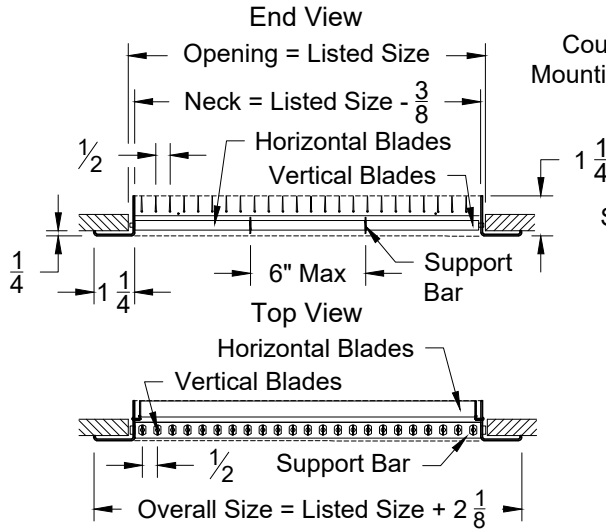
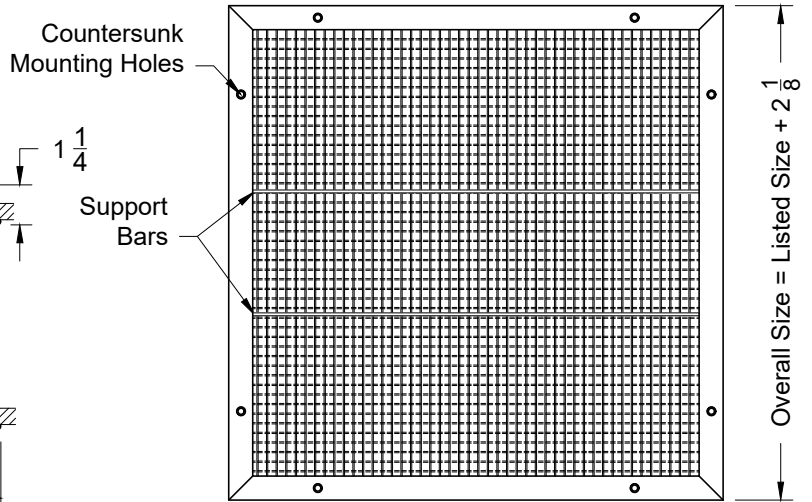


Model: XG-V4504S-1 Vertical Blades - Flush Surface Mount
XG-H4504S-1 Horizontal Blades - Flush Surface Mount

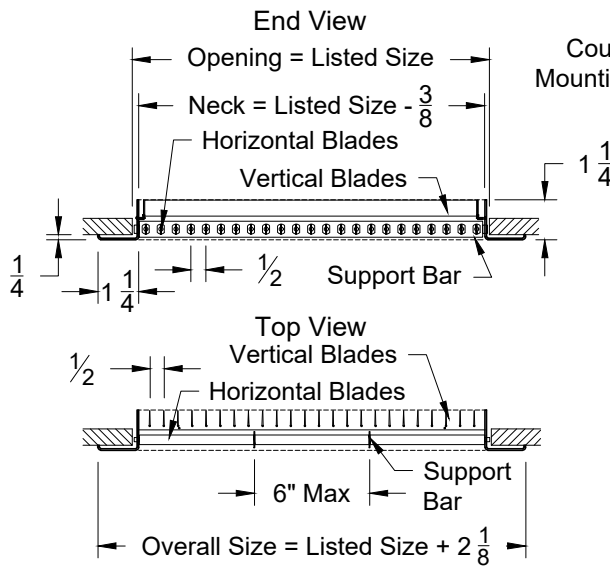
XG-V4504S-1 - Flush Surface Mount



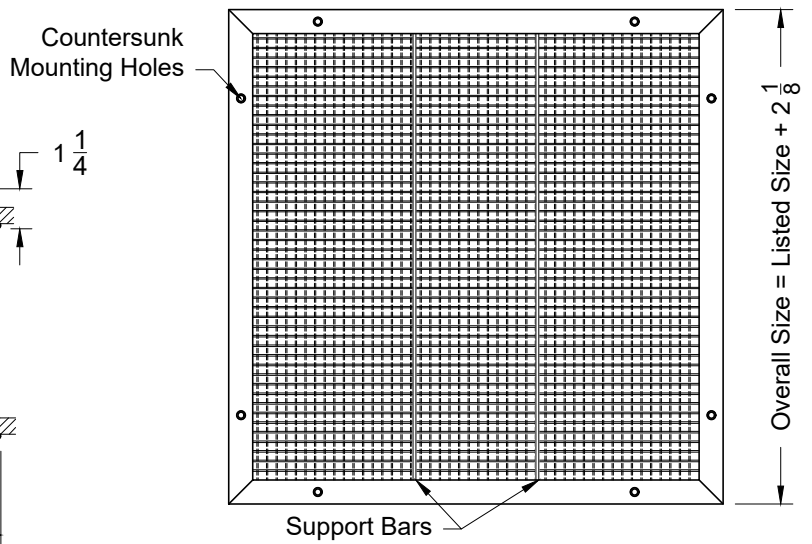
Face View



XG-H4504S-1 - Flush Surface Mount



Face View



Note: This product complies with NFPA 90A-18 standard 4.3.7.3.2 and 4.3.8.3.2 and is constructed with openings through which a 1/2" sphere can not pass.

1. Available Finishes	2. Available Accessories	3. Available Options	4. Construction Details
Standard Finish: 01 White Optional Finish 02 Satin Silver 03 Black 28 Custom Color	XG-OBDE - OBD Extruded Aluminum XG-L9 - Equalizing Grid XG-PF - Plaster Frame	XG-NSH - No Screw Holes	<ul style="list-style-type: none"> • Oversized Units made in multiple sections • Largest single section is 48x48 • Mullion strips provided for joining units in field

All Dimensions $\pm 1/16"$