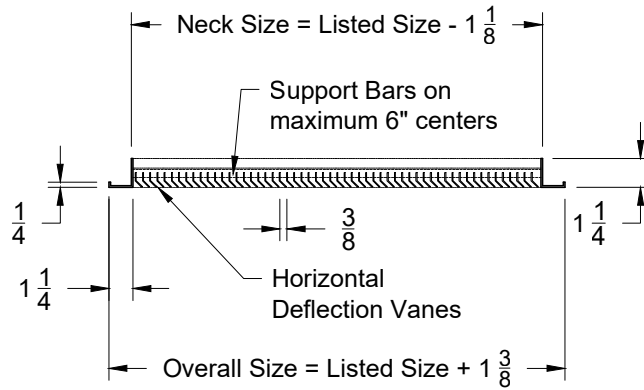
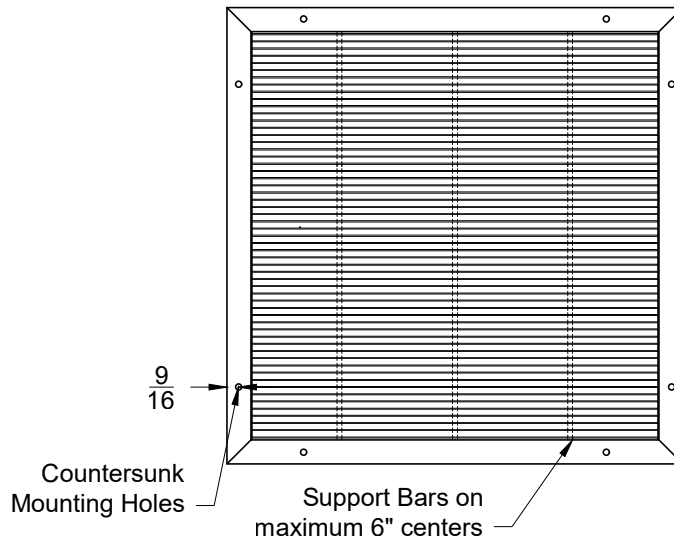


Model: XG-4538F-1 Heavy Duty Gym Grille with Filter Frame - 38° Blades - Flush Surface Mount

XG-4538F-1 - Flush Surface Mount



Face View



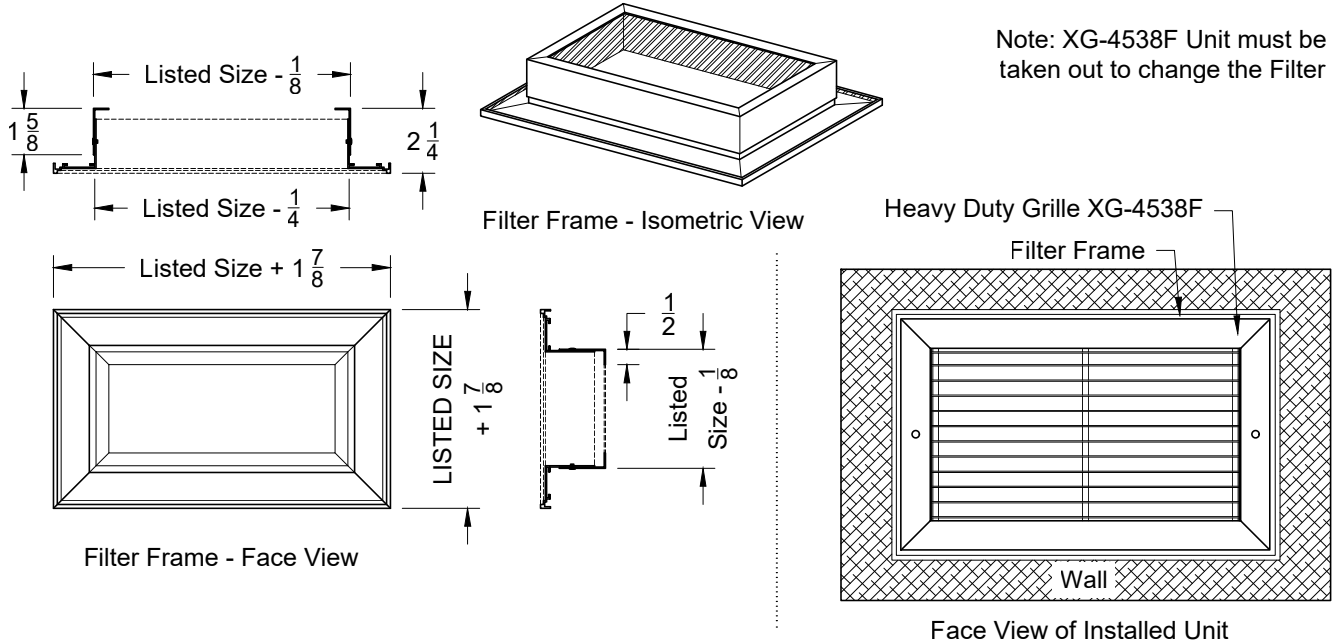
Note: This product complies with NFPA 90A-18 standard 4.3.7.3.2 and 4.3.8.3.2 and is constructed with openings through which a 1/2" sphere can not pass.

1. Available Finishes	2. Available Accessories	3. Available Options	4. Construction Details
Standard Finish: 01 White Finish 24 Mill Finish Optional Finish 02 Satin Silver 03 Black 28 Custom Color	XG-OBDA - Aluminum OBD XG-PF - Plaster Frame XG-TBPF - T-Bar Plaster Frame XG-TR - Square to Round Transition XG-TR-Deep - Deep Transition XG-LIPF - Lay-In Plaster Frame	IS - Insect Screen NSH - No Screw Holes 1"FF - 1" Filter Rack 2"FF - 2" Filter Rack	<ul style="list-style-type: none"> • Oversized Units made in Multiple Sections • Largest Single Section is 48x48 • Mullion strips provided for joining units in field • Frame and Blades are Aluminum • Aluminum Filter Frame • Blades fixed at 38°
All Dimensions $\pm 1/16$ "			

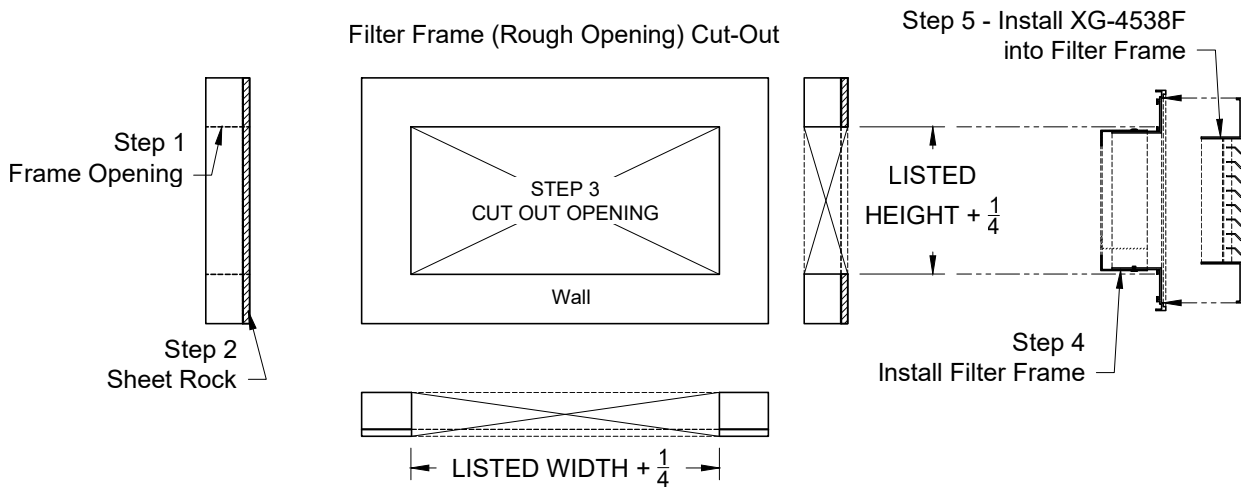
Model: XG-4538F

Filter Frame Detail

XG-4538F - Filter Frame Detail



XG-4538F - Installation Instructions



Note: This product complies with NFPA 90A-18 standard 4.3.7.3.2 and 4.3.8.3.2 and is constructed with openings through which a 1/2" sphere can not pass.

1. Available Finishes	2. Available Accessories	3. Available Options	4. Construction Details
Standard Finish: 01 White Finish 24 Mill Finish Optional Finish 02 Satin Silver 03 Black 28 Custom Color	XG-OBDA - Aluminum OBD XG-PF - Plaster Frame XG-TBPF - T-Bar Plaster Frame XG-TR - Square to Round Transition XG-TR-Deep - Deep Transition XG-LIPF - Lay-In Plaster Frame	IS - Insect Screen NSH - No Screw Holes 1"FF - 1" Filter Rack 2"FF - 2" Filter Rack	<ul style="list-style-type: none"> • Oversized Units made in Multiple Sections • Largest Single Section is 48x48 • Mullion strips provided for joining units in field • Frame and Blades are Aluminum • Aluminum Filter Frame • Blades fixed at 38°

All Dimensions ±1/16"