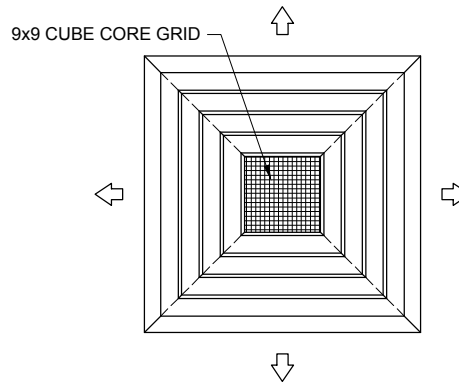
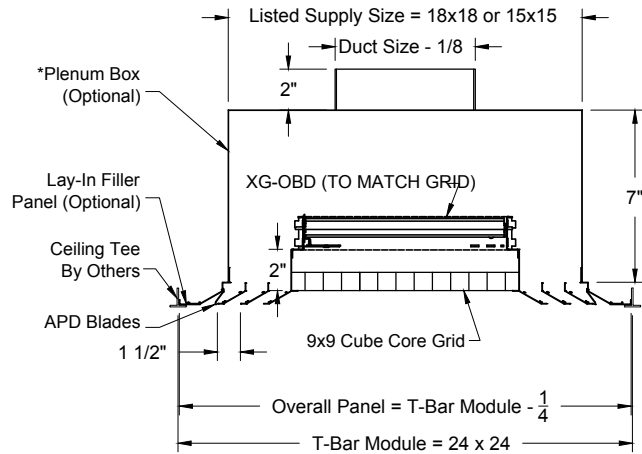
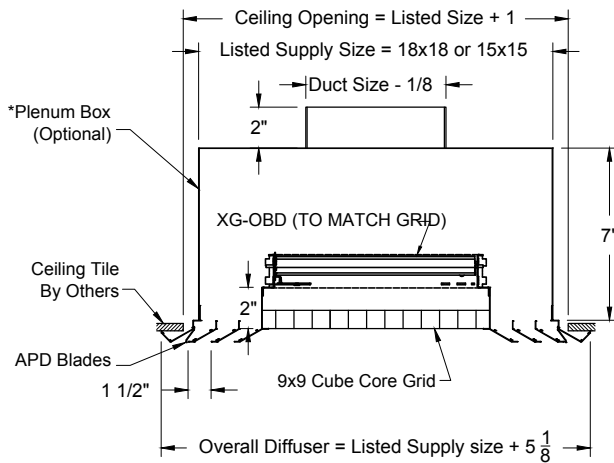


**Architectural Deflection Diffusers
Aluminum - Fixed Louvered Face**

Models: **XG-5500CAD-2** Supply - Non Insulated - V Beveled Drop Surface Mounting
XG-5500CAD-6 Supply - Non Insulated - T-Bar Lay in

Model: XG-5500CAD-2 = (V Beveled Drop Surface Mounting)

Model: XG-5500CAD-6 = Lay in T-Bar



Air Pattern

Notes: (check if provided)

1. Available Finishes	2. Available Accessories	4. Construction Details
<p>Standard Finish: 01 White</p> <p>Optional Finish (extra charge): 02 Satin Silver 03 Black 28 Custom Color / Setup Charge</p> <p>Optional Finish (No charge): 24 Mill</p>	<p>XG-OBDA - Alum. Opposed Blade Damper. XG-TBPF - Lay in Plaster Frame. XG-PB - Plenum Box XG-PBI - Plenum Box - Insulated XG-PBEI - Plenum Box - Externally Insulated</p>	<ul style="list-style-type: none"> ● Insulated units have 1/2" (Internal or External) Insulation. ● Aluminum Diffuser ● OBD - Steel Opposed Blade Damper ● *Plenum Size = Listed Supply Size (18x18 or 15x15, Typ.)