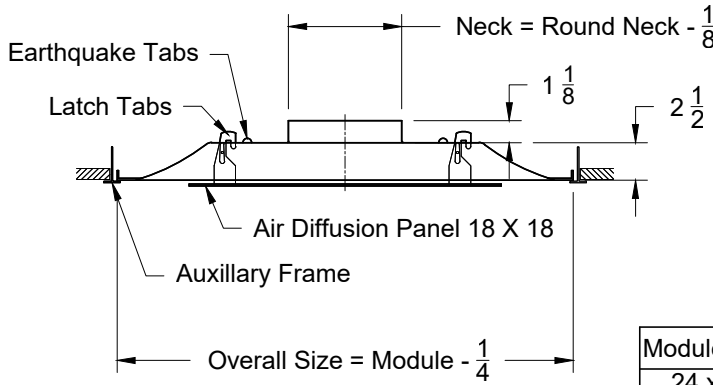


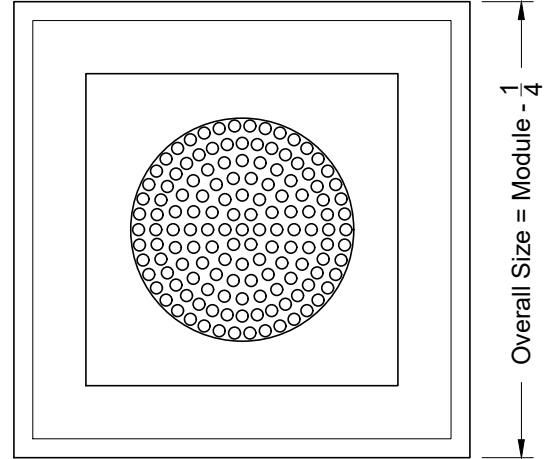
Model: XG-5750T-1 Square Face - Perforated Face - Round Neck - Flush Surface Mount
 XG-5750T-6 Square Face - Perforated Face - Round Neck - T-Bar Lay-In

XG-5750T-1 - Flush Surface Mount

Face View



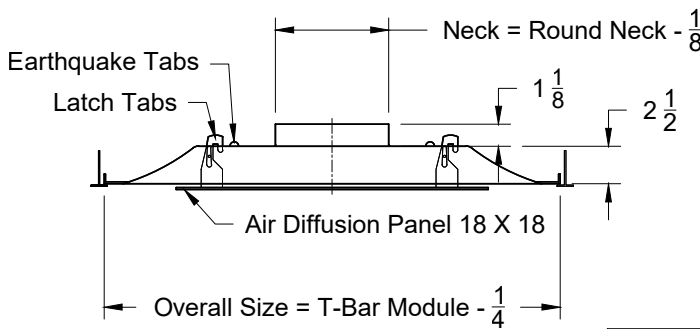
Module Size
24 x 24
12 x 12



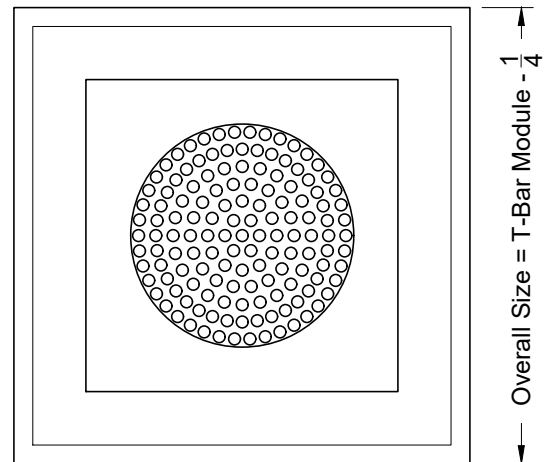
Note: For surface mount installations use of plaster frame is recommended

XG-5750T-6 - T-Bar Lay-In

Face View



Module Size
24 x 24
12 x 12



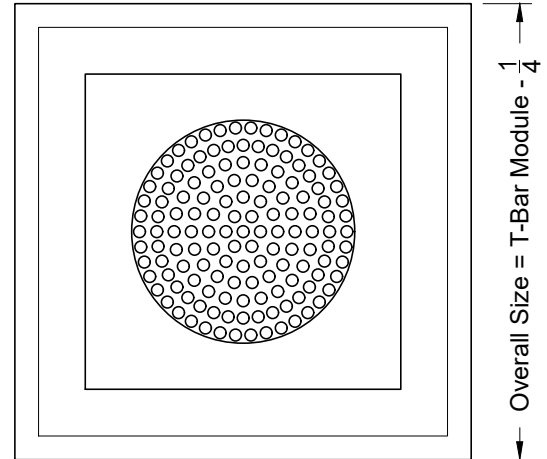
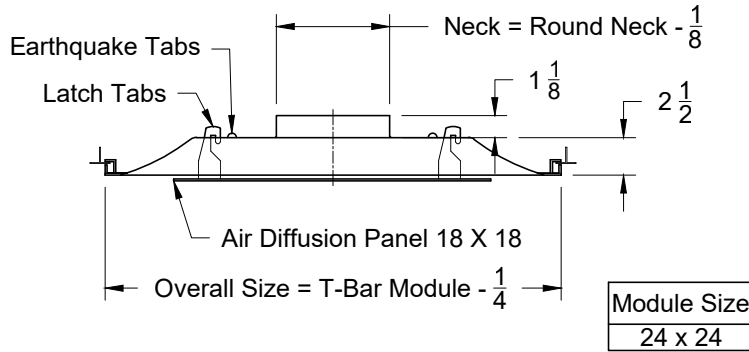
1. Available Finishes	2. Available Accessories	3. Available Options	4. Construction Details
Standard Finish: 01 White Finish 24 Mill Finish Optional Finish 02 Satin Silver 03 Black 28 Custom Color	XG-BDS - Butterfly Damper XG-RSD - Radial Shutter Damper XG-G3 - Equalizing Grid XG-BAF - Directional Baffles XG-TBPF - T-Bar Plaster Frame XG-EQS - Earthquake Straps	XG-FGBP - Fiberglass Backpan	<ul style="list-style-type: none"> • Available Sizes Only as Listed • Available Neck Sizes as Listed: 6, 8, 10, 12, 14 and 15 • Materials: Available in Steel, Aluminum and Aluminized Steel. • Consult Software for Available Border Types.

All Dimensions ±1/16"

Model: XG-5750T-7 Square Face - Perforated Face - Round Neck - Concealed Spline Module
 XG-5750T-9 Square Face - Perforated Face - Round Neck - Bolt Slot / Donn Finline Module

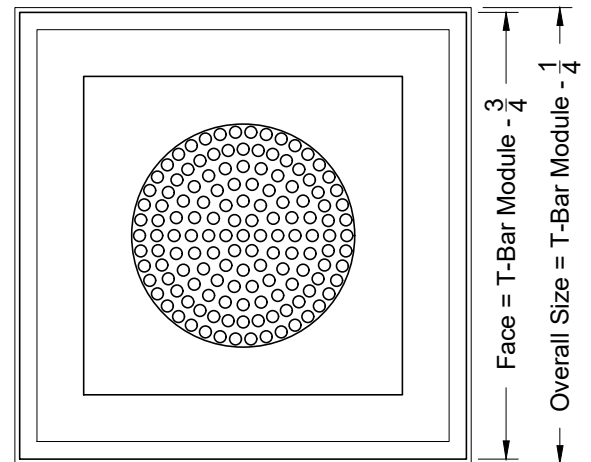
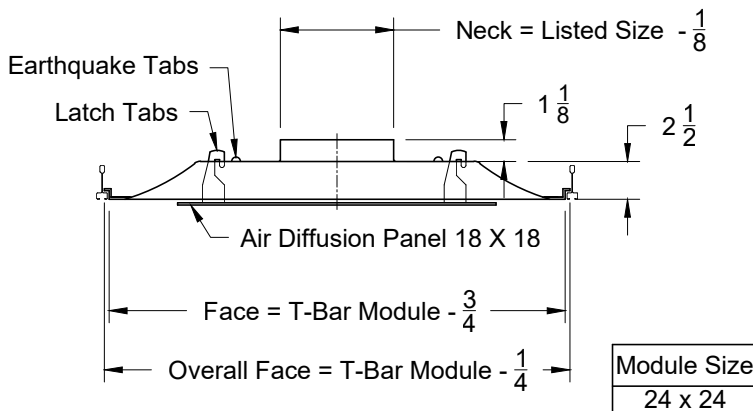
XG-5750T-7 - Concealed Spline Module

Face View



XG-5750T-9 Bolt Slot / Donn Finline Module

Face View



1. Available Finishes	2. Available Accessories	3. Available Options	4. Construction Details
Standard Finish: 01 White Finish 24 Mill Finish Optional Finish 02 Satin Silver 03 Black 28 Custom Color	XG-BDS - Butterfly Damper XG-RSD - Radial Shutter Damper XG-G3 - Equalizing Grid XG-BAF - Directional Baffles XG-TBPF - T-Bar Plaster Frame XG-EQS - Earthquake Straps	XG-FGBP - Fiberglass Backpan	<ul style="list-style-type: none"> • Available Sizes Only as Listed • Available Neck Sizes as Listed: 6, 8, 10, 12, 14 and 15 • Materials: Available in Steel, Aluminum and Aluminized Steel. • Consult Software for Available Border Types.

All Dimensions ±1/16"