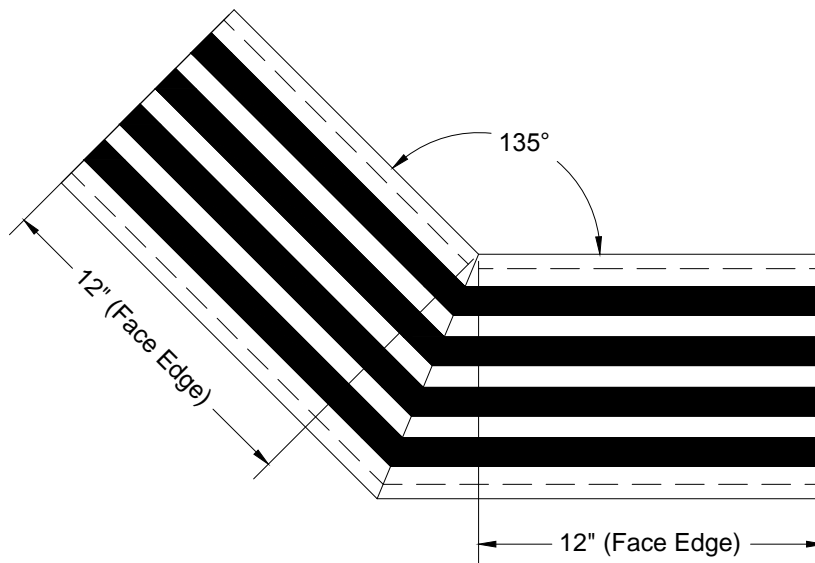


Mitered Corners - 135° Angle Extruded Aluminum

Models: (XG-6650MC-135) 1/2" , (XG-6675MC-135) 3/4" , (XG-6610MC-135) 1" and (XG-6615MC-135) 1 1/2"



Notes: (check if provided)

1. Available Finishes	2. Available Accessories	3. Available Options	4. Construction Details
Standard Finish: 20 White frame with black pattern controller. Optional Finishes (additional charge): 21 Clear Anodized Rails with Black Pattern Controllers 28 Custom Color / Setup			<ul style="list-style-type: none"> • Sizes available in only 1-8 slots. • Slot widths available (6650MC-135) 1/2" , (6675MC-135) 3/4" , (6610MC-135) 1" and (6615MC-135) 1 1/2"