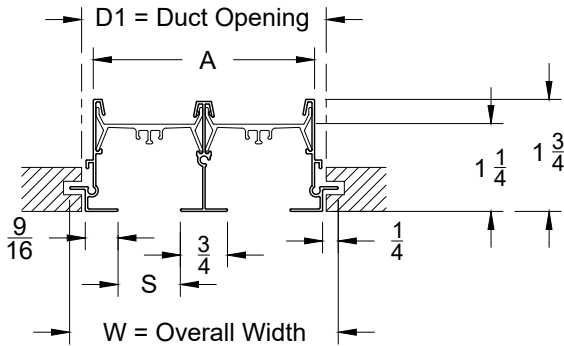
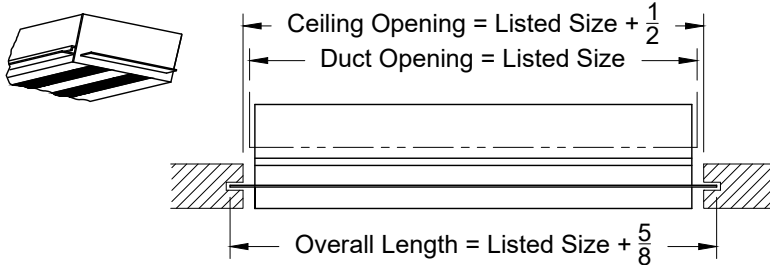


Model: XG-6600R-40-7 25/32" Border - Concealed Spline with No Hardware

XG-6600R-40-7 - Concealed Spline



Option: End Border



Model	S = Slots	NECK	DUCT	FACE	
	Slots	A	D1	W	
XG-6650R	1/2" Slots	1	1 5/16	1 9/16	2
		2	2 9/16	2 13/16	3 1/4
		3	3 13/16	4 1/16	4 1/2
		4	5 1/16	5 5/16	5 3/4
		5	6 5/16	6 9/16	7
		6	7 9/16	7 13/16	8 1/4
		7	8 13/16	9 1/16	9 1/2
		8	10 1/16	10 5/16	10 3/4
XG-6675R	3/4" Slots	1	1 9/16	1 13/16	2 1/4
		2	3 1/16	3 5/16	3 3/4
		3	4 9/16	4 13/16	5 1/4
		4	6 1/16	6 5/16	6 3/4
		5	7 9/16	7 13/16	8 1/4
		6	9 1/16	9 5/16	9 3/4
		7	10 9/16	10 13/16	11 1/4
		8	12 1/16	12 5/16	12 3/4
XG-6610R	1" Slots	1	1 13/16	2 1/16	2 1/2
		2	3 9/16	3 13/16	4 1/4
		3	5 5/16	5 9/16	6
		4	7 1/16	7 5/16	7 3/4
		5	8 13/16	9 1/16	9 1/2
		6	10 9/16	10 13/16	11 1/4
		7	12 5/16	12 9/16	13
		8	14 1/16	14 5/16	14 3/4
XG-6615R	1 1/2" Slots	1	2 5/16	2 9/16	3
		2	4 9/16	4 13/16	5 1/4
		3	6 13/16	7 1/16	7 1/2
		4	9 1/16	9 5/16	9 3/4

1. Available Finishes

Standard Finish:
 20 - White Face, Black Back
 02 - Satin Silver
 03 - Black
 Optional Finish:
 28 - Special/Setup Charge

2. Available Accessories

3. Available Options

MRI - MRI Construction
 1EC - (1) End Cap
 2EC - (2) End Caps
 1EB - (1) End Border
 2EB - (2) End Borders
 OO - Open / Open

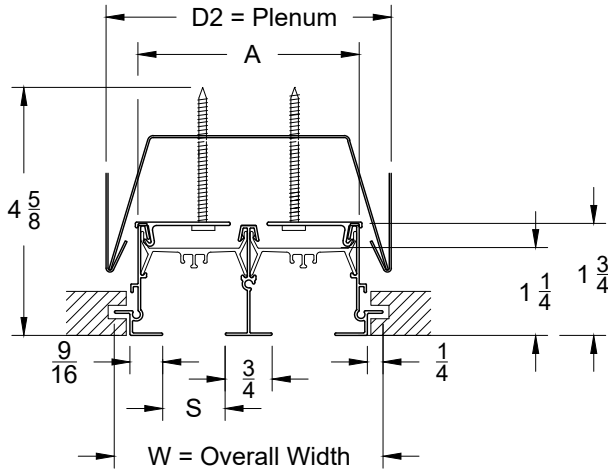
4. Construction Details

Sizes available in only 1-8 slots
 Longest single section is 96"
 Continuous lengths are made in sections

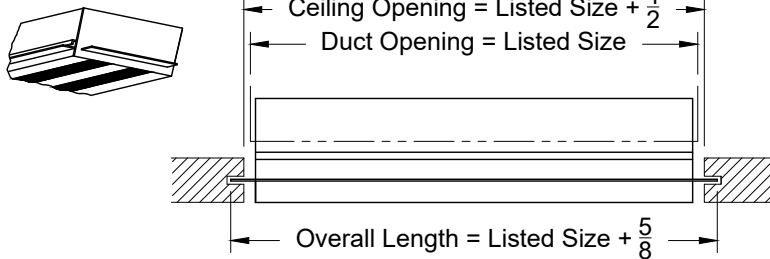
All Dimensions ±1/16"

Model: XG-6600R-42-7 25/32" Border - Concealed Spline with Concealed Mounting Hardware

XG-6600R-42-7 - Concealed Spline



Option: End Border



Model	S = Slots Slots	NECK A	PLENUM D2	FACE W
XG-6650R	1	1 5/16	2	2
	2	2 9/16	3 1/2	3 1/4
	3	3 13/16	4 1/2	4 1/2
	4	5 1/16	6	5 3/4
	5	6 5/16	7	7
	6	7 9/16	8 1/2	8 1/4
	7	8 13/16	9 1/2	9 1/2
	8	10 1/16	11	10 3/4
XG-6675R	1	1 9/16	2 1/2	2 1/4
	2	3 1/16	4	3 3/4
	3	4 9/16	5 1/2	5 1/4
	4	6 1/16	7	6 3/4
	5	7 9/16	8 1/2	8 1/4
	6	9 1/16	10	9 3/4
	7	10 9/16	11 1/2	11 1/4
	8	12 1/16	13	12 3/4
XG-6610R	1	1 13/16	2 1/2	2 1/2
	2	3 9/16	4 1/2	4 1/4
	3	5 5/16	6	6
	4	7 1/16	8	7 3/4
	5	8 13/16	9 1/2	9 1/2
	6	10 9/16	11 1/2	11 1/4
	7	12 5/16	13	13
	8	14 1/16	15	14 3/4
XG-6615R	1	2 5/16	3	3
	2	4 9/16	5 1/2	5 1/4
	3	6 13/16	7 1/2	7 1/2
	4	9 1/16	10	9 3/4

1. Available Finishes

Standard Finish:
 20 - White Face, Black Back
 02 - Satin Silver
 03 - Black
 Optional Finish:
 28 - Special/Setup Charge

2. Available Accessories

3. Available Options

MRI - MRI Construction
 1EC - (1) End Cap
 2EC - (2) End Caps
 1EB - (1) End Border
 2EB - (2) End Borders
 OO - Open / Open

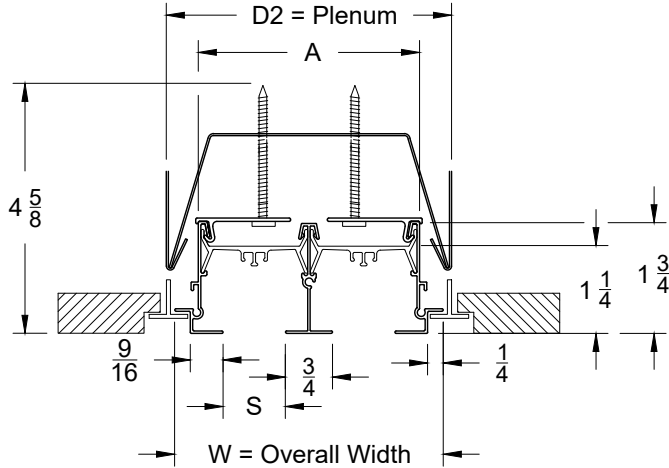
4. Construction Details

Sizes available in only 1-8 slots
 Longest single section is 96"
 Continuous lengths are made in sections

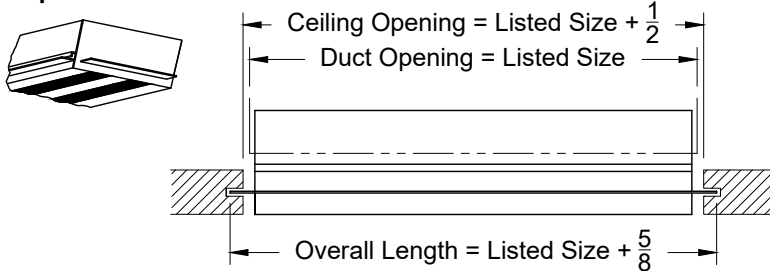
All Dimensions ±1/16"

Model: XG-6600R-42-8 25/32" Border - Drop Face with Concealed Mounting Hardware

XG-6600R-42-8 - Drop Face



Option: End Border



Model	S = Slots Slots	NECK A	PLENUM D2	FACE W	
XG-6650R	1/2" Slots	1	1 5/16	2	2
		2	2 9/16	3 1/2	3 1/4
		3	3 13/16	4 1/2	4 1/2
		4	5 1/16	6	5 3/4
		5	6 5/16	7	7
		6	7 9/16	8 1/2	8 1/4
		7	8 13/16	9 1/2	9 1/2
		8	10 1/16	11	10 3/4
XG-6675R	3/4" Slots	1	1 9/16	2 1/2	2 1/4
		2	3 1/16	4	3 3/4
		3	4 9/16	5 1/2	5 1/4
		4	6 1/16	7	6 3/4
		5	7 9/16	8 1/2	8 1/4
		6	9 1/16	10	9 3/4
		7	10 9/16	11 1/2	11 1/4
		8	12 1/16	13	12 3/4
XG-6610R	1" Slots	1	1 13/16	2 1/2	2 1/2
		2	3 9/16	4 1/2	4 1/4
		3	5 5/16	6	6
		4	7 1/16	8	7 3/4
		5	8 13/16	9 1/2	9 1/2
		6	10 9/16	11 1/2	11 1/4
		7	12 5/16	13	13
		8	14 1/16	15	14 3/4
XG-6615R	1 1/2" Slots	1	2 5/16	3	3
		2	4 9/16	5 1/2	5 1/4
		3	6 13/16	7 1/2	7 1/2
		4	9 1/16	10	9 3/4

1. Available Finishes

Standard Finish:
 20 - White Face, Black Back
 02 - Satin Silver
 03 - Black
 Optional Finish:
 28 - Special/Setup Charge

2. Available Accessories

3. Available Options

MRI - MRI Construction
 1EC - (1) End Cap
 2EC - (2) End Caps
 1EB - (1) End Border
 2EB - (2) End Borders
 OO - Open / Open

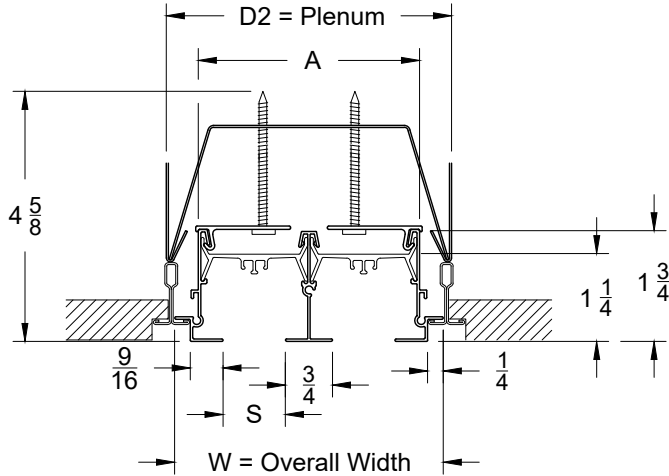
4. Construction Details

- Sizes available in only 1-8 slots
- Longest single section is 96"
- Continuous lengths are made in sections

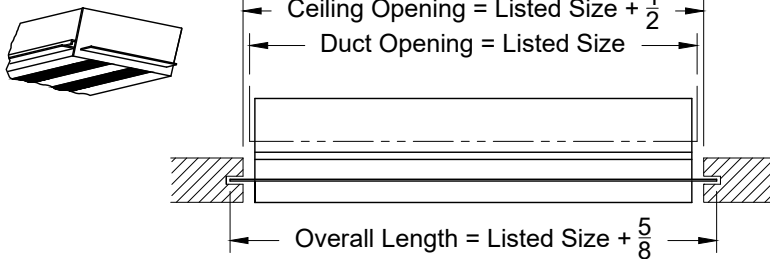
All Dimensions ±1/16"

Model: XG-6600R-42-9 25/32" Border - Narrow Tee with Concealed Mounting Hardware

XG-6600R-42-9 - Narrow Tee



Option: End Border



Model	S = Slots Slots	NECK A	PLENUM D2	FACE W
XG-6650R	1	1 5/16	2	2
	2	2 9/16	3 1/2	3 1/4
	3	3 13/16	4 1/2	4 1/2
	4	5 1/16	6	5 3/4
	5	6 5/16	7	7
	6	7 9/16	8 1/2	8 1/4
	7	8 13/16	9 1/2	9 1/2
	8	10 1/16	11	10 3/4
XG-6675R	1	1 9/16	2 1/2	2 1/4
	2	3 1/16	4	3 3/4
	3	4 9/16	5 1/2	5 1/4
	4	6 1/16	7	6 3/4
	5	7 9/16	8 1/2	8 1/4
	6	9 1/16	10	9 3/4
	7	10 9/16	11 1/2	11 1/4
	8	12 1/16	13	12 3/4
XG-6610R	1	1 13/16	2 1/2	2 1/2
	2	3 9/16	4 1/2	4 1/4
	3	5 5/16	6	6
	4	7 1/16	8	7 3/4
	5	8 13/16	9 1/2	9 1/2
	6	10 9/16	11 1/2	11 1/4
	7	12 5/16	13	13
	8	14 1/16	15	14 3/4
XG-6615R	1	2 5/16	3	3
	2	4 9/16	5 1/2	5 1/4
	3	6 13/16	7 1/2	7 1/2
	4	9 1/16	10	9 3/4

1. Available Finishes

Standard Finish:
 20 - White Face, Black Back
 02 - Satin Silver
 03 - Black
 Optional Finish:
 28 - Special/Setup Charge

2. Available Accessories

3. Available Options

MRI - MRI Construction
 1EC - (1) End Cap
 2EC - (2) End Caps
 1EB - (1) End Border
 2EB - (2) End Borders
 OO - Open / Open

4. Construction Details

Sizes available in only 1-8 slots
 Longest single section is 96"
 Continuous lengths are made in sections

All Dimensions ±1/16"