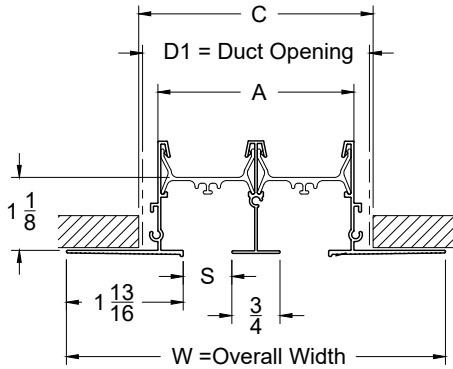


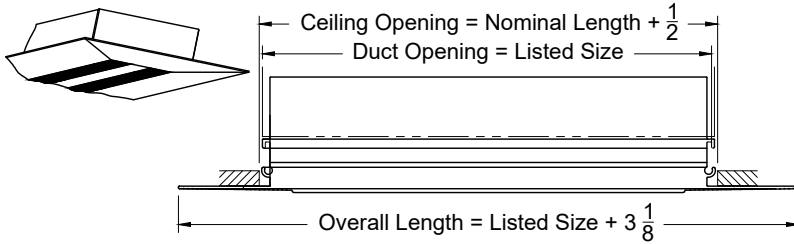
Model: XG-6600R-50-1 1 13/16" Border - Surface Mount - No Hardware - Tape and Spackle

XG-6600R-50-1 - Tape and Spackle

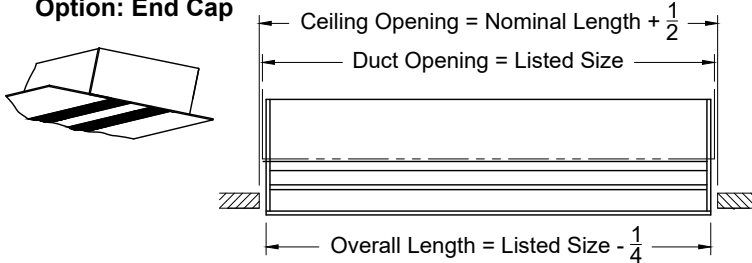


* Recommended Face Screw Mount
Screw Holes not Provided

Option: Mitered Corner



Option: End Cap



Model	S = Slots		NECK	DUCT	OPENING	Face
	Slots		A	D1	C	W
XG-6675	1	3/4" Slots	1 9/16	1 13/16	2 1/16	4 7/16
	2		3 1/16	3 5/16	3 9/16	5 15/16
	3		4 9/16	4 13/16	5 1/16	7 7/16
	4		6 1/16	6 5/16	6 9/16	8 15/16
XG-6610	1	1" Slots	1 13/16	2 1/16	2 5/16	4 11/16
	2		3 9/16	3 13/16	4 1/16	6 7/16
	3		5 5/16	5 9/16	5 13/16	8 3/16
	4		7 1/16	7 5/16	7 9/16	9 15/16
XG-6615	1	1 1/2" Slots	2 5/16	2 9/16	2 13/16	5 3/16
	2		4 9/16	4 13/16	5 1/16	7 7/16
	3		6 13/16	7 1/16	7 5/16	9 11/16
	4		9 1/16	9 5/16	9 9/16	11 15/16

1. Available Finishes

20 - White Face, Black Back
03 - Black

2. Available Accessories

3. Available Options

MRI - MRI Construction
1EC - (1) End Cap
2EC - (2) End Caps
MM - (2) Mitered Ends
MO - (1) Mitered End / Open
OO - Open / Open

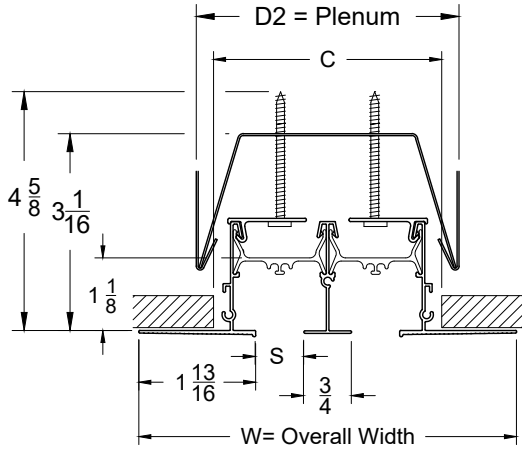
4. Construction Details

- Sizes available in only 1-8 slots
- Longest single section is 96"
- Continuous lengths are made in sections

All Dimensions ±1/16"

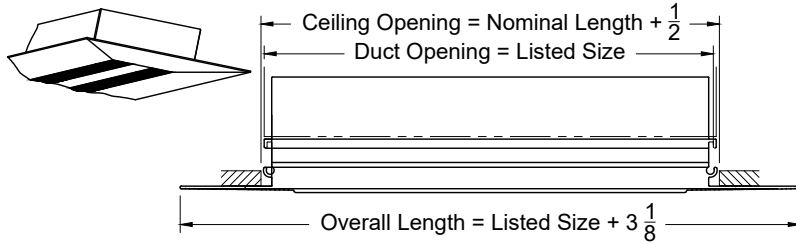
Model: XG-6600R-52-1 1 13/16" Border - Surface Mount with Hardware - Tape and Spackle

XG-6600R-52-1 - Tape and Spackle / Concealed Mount

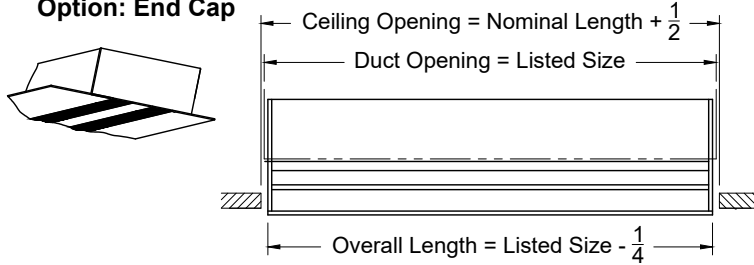


Model	S = Slots		NECK	PLENUM	OPENING	Face
	Slots		A	D2	C	W
XG-6675	1	3/4" Slots	1 9/16	2 1/2	2 1/16	4 7/16
	2		3 1/16	4	3 9/16	5 15/16
	3		4 9/16	5 1/2	5 1/16	7 7/16
	4		6 1/16	7	6 9/16	8 15/16
XG-6610	1	1" Slots	1 13/16	2 1/2	2 5/16	4 11/16
	2		3 9/16	4 1/2	4 1/16	6 7/16
	3		5 5/16	6	5 13/16	8 3/16
	4		7 1/16	8	7 9/16	9 15/16
XG-6615	1	1 1/2" Slots	2 5/16	3	2 13/16	5 3/16
	2		4 9/16	5 1/2	5 1/16	7 7/16
	3		6 13/16	7 1/2	7 5/16	9 11/16
	4		9 1/16	10	9 9/16	11 15/16

Option: Mitered Corner



Option: End Cap



1. Available Finishes	2. Available Accessories	3. Available Options	4. Construction Details
20 - White Face, Black Back 03 - Black		MRI - MRI Construction 1EC - (1) End Cap 2EC - (2) End Caps MM - (2) Mitered Ends MO - (1) Mitered End / Open OO - Open / Open	<ul style="list-style-type: none"> Sizes available in only 1-8 slots Longest single section is 96" Continuous lengths are made in sections
All Dimensions ±1/16"			