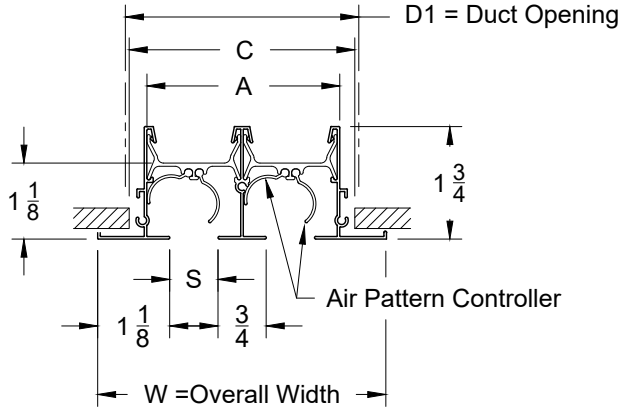
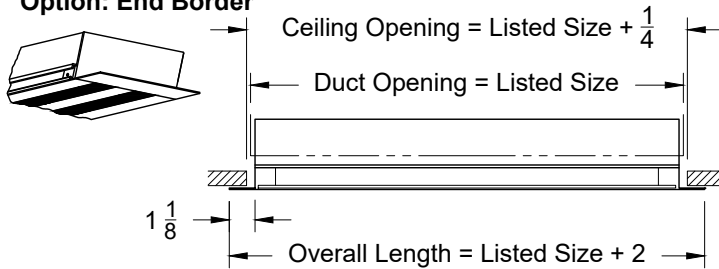


Model: XG-6600-11-1 1 1/8" Border - Face Screw Mount with No Hardware

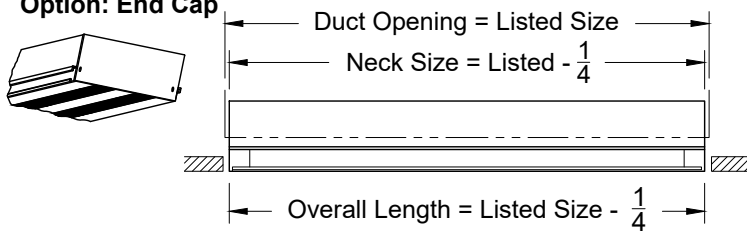
XG-6600-11-1 - Face Screw Mounting, no Hardware



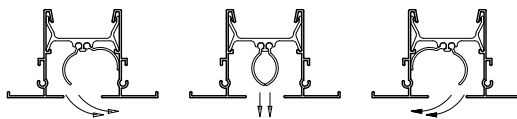
Option: End Border



Option: End Cap



Air Deflection Patterns



Model	S = Slots	NECK	DUCT	OPENING	FACE
	Slots	A	D1	C	W
XG-6650	1	1 5/16	1 9/16	1 13/16	2 3/4
	2	2 9/16	2 13/16	3 1/16	4
	3	3 13/16	4 1/16	4 5/16	5 1/4
	4	5 1/16	5 5/16	5 9/16	6 1/2
	5	6 5/16	6 9/16	6 13/16	7 3/4
	6	7 9/16	7 13/16	8 1/16	9
	7	8 13/16	9 1/16	9 5/16	10 1/4
	8	10 1/16	10 5/16	10 9/16	11 1/2
XG-6675	1	1 9/16	1 13/16	2 1/16	3
	2	3 1/16	3 5/16	3 9/16	4 1/2
	3	4 9/16	4 13/16	5 1/16	6
	4	6 1/16	6 5/16	6 9/16	7 1/2
	5	7 9/16	7 13/16	8 1/16	9
	6	9 1/16	9 5/16	9 9/16	10 1/2
	7	10 9/16	10 13/16	11 1/16	12
	8	12 1/16	12 5/16	12 9/16	13 1/2
XG-6610	1	1 13/16	2 1/16	2 5/16	3 1/4
	2	3 9/16	3 13/16	4 1/16	5
	3	5 5/16	5 9/16	5 13/16	6 3/4
	4	7 1/16	7 5/16	7 9/16	8 1/2
	5	8 13/16	9 1/16	9 5/16	10 1/4
	6	10 9/16	10 13/16	11 1/16	12
	7	12 5/16	12 9/16	12 13/16	13 3/4
	8	14 1/16	14 5/16	14 9/16	15 1/2
XG-6615	1	2 5/16	2 9/16	2 13/16	3 3/4
	2	4 9/16	4 13/16	5 1/16	6
	3	6 13/16	7 1/16	7 5/16	8 1/4
	4	9 1/16	9 5/16	9 9/16	10 1/2

1. Available Finishes

Standard Finish:
 20 - White Face, Black Back
 21 - Clear anodized with Black Pattern Controller
 03 - Black
 Optional Finish:
 28 - Special/Setup Charge

2. Available Accessories

3. Available Options

MRI - MRI Construction
 1EC - (1) End Cap
 2EC - (2) End Caps
 1EB - (1) End Border
 2EB - (2) End Borders
 OO - Open / Open

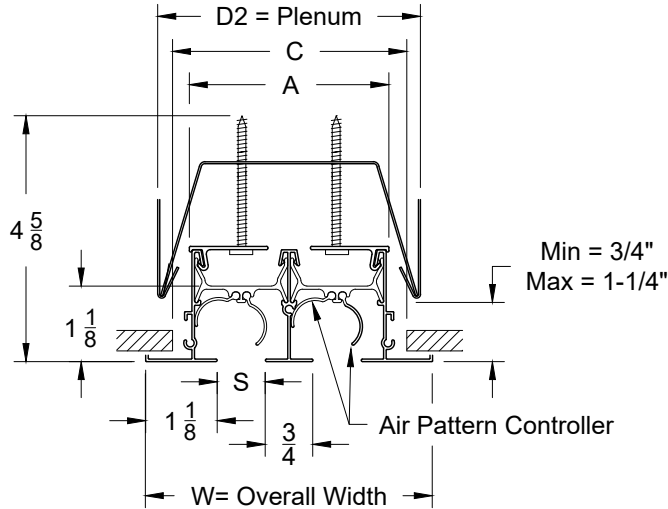
4. Construction Details

- Sizes available in only 1-8 slots
- Longest single section is 96"
- Continuous lengths are made in sections

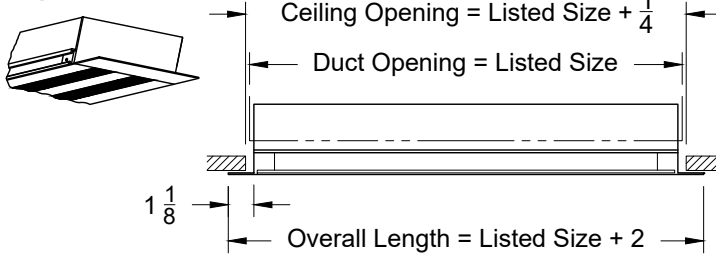
All Dimensions ±1/16"

Model: XG-6600-12-1 1 1/8" Border - Concealed Surface Mount with Hardware

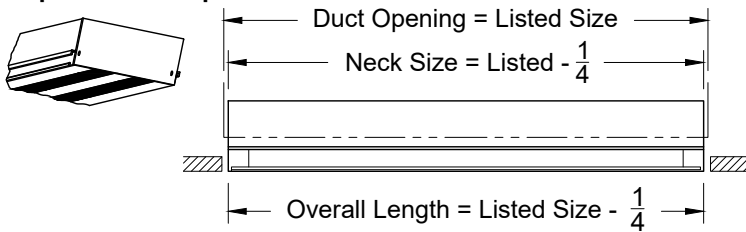
XG-6600-12-1 - Flush Surface Mount, Concealed Hardware



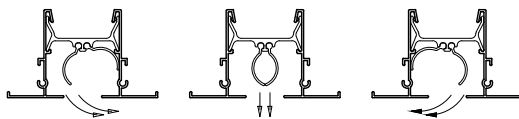
Option: End Border



Option: End Cap



Air Deflection Patterns



Model	S = Slots	NECK	PLENUM	OPENING	FACE	
	Slots	A	D2	C	W	
XG-6650	1/2" Slots	1	1 5/16	2 5/16	1 13/16	2 3/4
		2	2 9/16	3 9/16	3 1/16	4
		3	3 13/16	4 13/16	4 5/16	5 1/4
		4	5 1/16	6 1/16	5 9/16	6 1/2
		5	6 5/16	7 5/16	6 13/16	7 3/4
		6	7 9/16	8 9/16	8 1/16	9
		7	8 13/16	9 13/16	9 5/16	10 1/4
		8	10 1/16	11 1/16	10 9/16	11 1/2
XG-6675	3/4" Slots	1	1 9/16	2 9/16	2 1/16	3
		2	3 1/16	4 1/16	3 9/16	4 1/2
		3	4 9/16	5 9/16	5 1/16	6
		4	6 1/16	7 1/16	6 9/16	7 1/2
		5	7 9/16	8 9/16	8 1/16	9
		6	9 1/16	10 1/16	9 9/16	10 1/2
		7	10 9/16	11 9/16	11 1/16	12
		8	12 1/16	13 1/16	12 9/16	13 1/2
XG-6610	1" Slots	1	1 13/16	2 13/16	2 5/16	3 1/4
		2	3 9/16	4 9/16	4 1/16	5
		3	5 5/16	6 5/16	5 13/16	6 3/4
		4	7 1/16	8 1/16	7 9/16	8 1/2
		5	8 13/16	9 13/16	9 5/16	10 1/4
		6	10 9/16	11 9/16	11 1/16	12
		7	12 5/16	13 5/16	12 13/16	13 3/4
		8	14 1/16	15 1/16	14 9/16	15 1/2
XG-6615	1 1/2" Slots	1	2 5/16	3 5/16	2 13/16	3 3/4
		2	4 9/16	5 9/16	5 1/16	6
		3	6 13/16	7 13/16	7 5/16	8 1/4
		4	9 1/16	10 1/16	9 9/16	10 1/2

1. Available Finishes

Standard Finish:
 20 - White Face, Black Back
 21 - Clear anodized with Black Pattern
 Controller
 03 - Black
 Optional Finish:
 28 - Special/Setup Charge

2. Available Accessories

3. Available Options

MRI - MRI Construction
 1EC - (1) End Cap
 2EC - (2) End Caps
 1EB - (1) End Border
 2EB - (2) End Borders
 OO - Open / Open

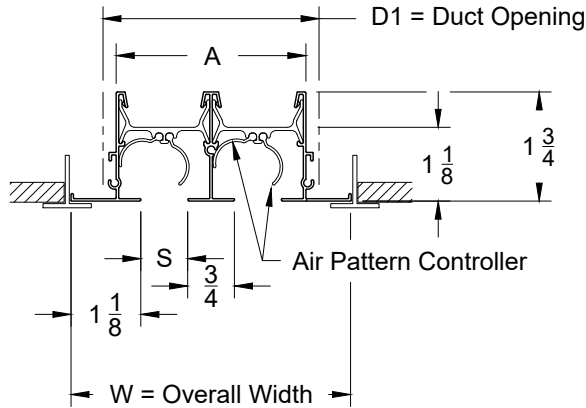
4. Construction Details

- Sizes available in only 1-8 slots
- Longest single section is 96"
- Continuous lengths are made in sections

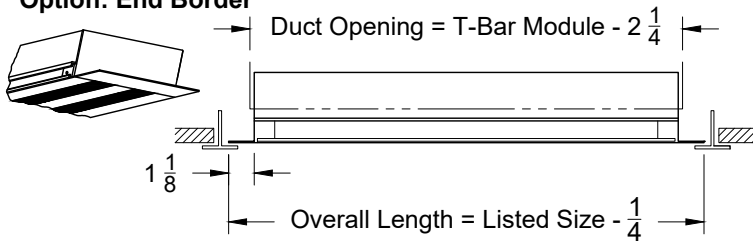
All Dimensions ±1/16"

Model: XG-6600-10-6 1 1/8" Border - Lay In T-Bar with No Hardware

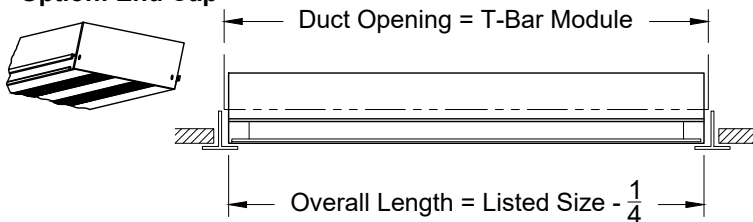
XG-6600-10-6 - Lay In T-Bar, no Hardware



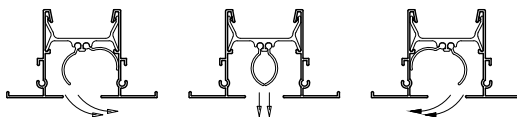
Option: End Border



Option: End Cap



Air Deflection Patterns



Model	S = Slots	NECK	DUCT	FACE	
	Slots	A	D1	W	
XG-6650	1/2" Slots	1	1 5/16	1 9/16	2 3/4
		2	2 9/16	2 13/16	4
		3	3 13/16	4 1/16	5 1/4
		4	5 1/16	5 5/16	6 1/2
		5	6 5/16	6 9/16	7 3/4
		6	7 9/16	7 13/16	9
		7	8 13/16	9 1/16	10 1/4
		8	10 1/16	10 5/16	11 1/2
XG-6675	3/4" Slots	1	1 9/16	1 13/16	3
		2	3 1/16	3 5/16	4 1/2
		3	4 9/16	4 13/16	6
		4	6 1/16	6 5/16	7 1/2
		5	7 9/16	7 13/16	9
		6	9 1/16	9 5/16	10 1/2
		7	10 9/16	10 13/16	12
		8	12 1/16	12 5/16	13 1/2
XG-6610	1" Slots	1	1 13/16	2 1/16	3 1/4
		2	3 9/16	3 13/16	5
		3	5 5/16	5 9/16	6 3/4
		4	7 1/16	7 5/16	8 1/2
		5	8 13/16	9 1/16	10 1/4
		6	10 9/16	10 13/16	12
		7	12 5/16	12 9/16	13 3/4
		8	14 1/16	14 5/16	15 1/2
XG-6615	1 1/2" Slots	1	2 5/16	2 9/16	3 3/4
		2	4 9/16	4 13/16	6
		3	6 13/16	7 1/16	8 1/4
		4	9 1/16	9 5/16	10 1/2

1. Available Finishes

Standard Finish:
 20 - White Face, Black Back
 21 - Clear anodized with Black Pattern Controller
 03 - Black
 Optional Finish:
 28 - Special/Set-up Charge

2. Available Accessories

3. Available Options

MRI - MRI Construction
 1EC - (1) End Cap
 2EC - (2) End Caps
 1EB - (1) End Border
 2EB - (2) End Borders
 OO - Open / Open

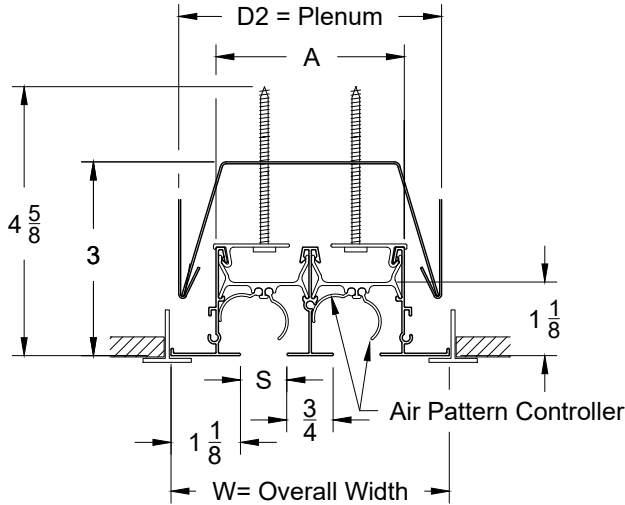
4. Construction Details

- Sizes available in only 1-8 slots
- Longest single section is 96"
- Continuous lengths are made in sections

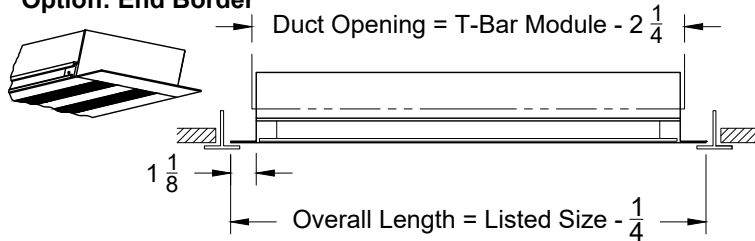
All Dimensions ±1/16"

Model: XG-6600-12-6 1 1/8" Border - Lay In T-Bar with Concealed Hardware

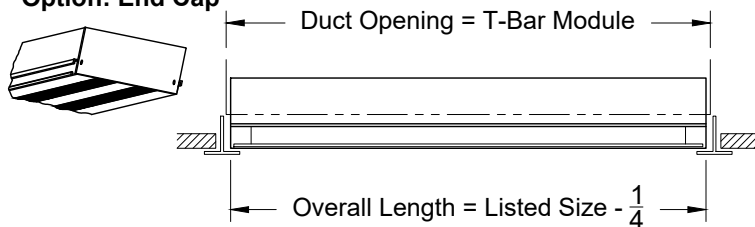
XG-6600-12-6 - Lay In T-Bar, Hardware



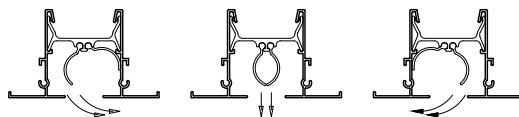
Option: End Border



Option: End Cap



Air Deflection Patterns



Model	S = Slots	NECK	PLENUM	FACE	
	Slots	A	D2	W	
XG-6650	1/2" Slots	1	1 5/16	2 5/16	2 3/4
		2	2 9/16	3 9/16	4
		3	3 13/16	4 13/16	5 1/4
		4	5 1/16	6 1/16	6 1/2
		5	6 5/16	7 5/16	7 3/4
		6	7 9/16	8 9/16	9
		7	8 13/16	9 13/16	10 1/4
		8	10 1/16	11 1/16	11 1/2
XG-6675	3/4" Slots	1	1 9/16	2 9/16	3
		2	3 1/16	4 1/16	4 1/2
		3	4 9/16	5 9/16	6
		4	6 1/16	7 1/16	7 1/2
		5	7 9/16	8 9/16	9
		6	9 1/16	10 1/16	10 1/2
		7	10 9/16	11 9/16	12
		8	12 1/16	13 1/16	13 1/2
XG-6610	1" Slots	1	1 13/16	2 13/16	3 1/4
		2	3 9/16	4 9/16	5
		3	5 5/16	6 5/16	6 3/4
		4	7 1/16	8 1/16	8 1/2
		5	8 13/16	9 13/16	10 1/4
		6	10 9/16	11 9/16	12
		7	12 5/16	13 5/16	13 3/4
		8	14 1/16	15 1/16	15 1/2
XG-6615	1 1/2" Slots	1	2 5/16	3 5/16	3 3/4
		2	4 9/16	5 9/16	6
		3	6 13/16	7 13/16	8 1/4
		4	9 1/16	10 1/16	10 1/2

1. Available Finishes

Standard Finish:
 20 - White Face, Black Back
 21 - Clear anodized with Black Pattern Controller
 03 - Black
 Optional Finish:
 28 - Special/Setup Charge

2. Available Accessories

3. Available Options

MRI - MRI Construction
 1EC - (1) End Cap
 2EC - (2) End Caps
 1EB - (1) End Border
 2EB - (2) End Borders
 OO - Open / Open

4. Construction Details

- Sizes available in only 1-8 slots
- Longest single section is 96"
- Continuous lengths are made in sections

All Dimensions ±1/16"