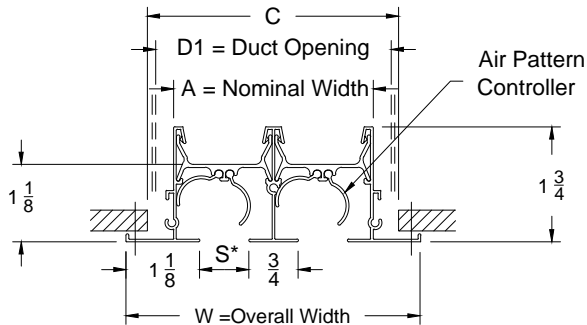


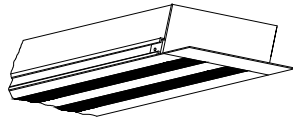
### Adjustable Linear Slot Diffuser - Extruded Aluminum Pattern Controller Slots: 1/2" (XG-6650), 3/4" (XG-6675), 1" (XG-6610), and 1-1/2" (XG-X6615)

Models: **XG-6600-11-1** Face Screw Mounting - 1 1/8" Border - No Hardware  
**XG-6600-12-1** Concealed Surface Mount - 1 1/8" Border - With Hardware

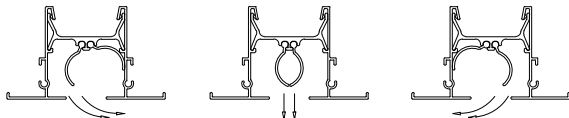
**Models: XG-6600-11-1 ( Face Screw Mounting  
- 1 1/8 Border - No Hardware)**



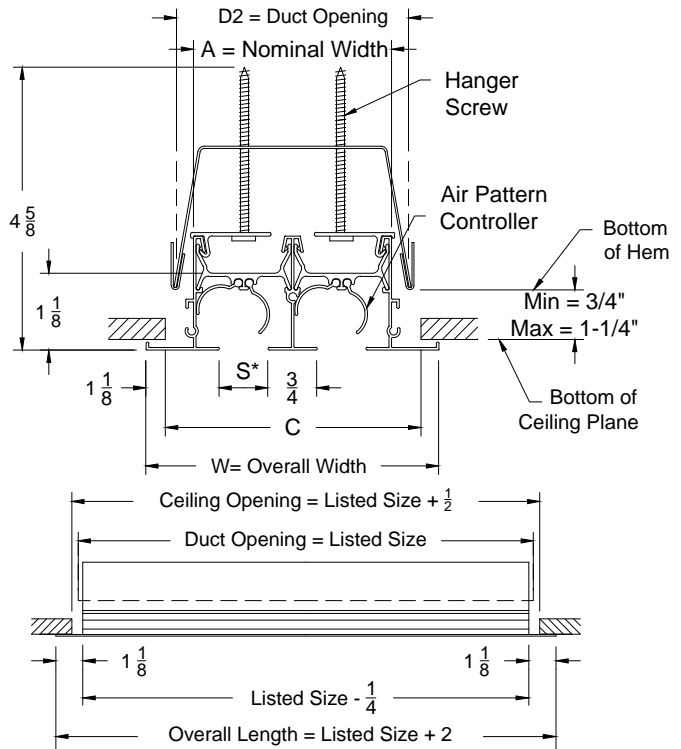
End Border



Air Deflection Patterns



**Model: XG-6600-12-1 ( Concealed Surface Mount  
- 1 1/8 Border - With Hardware )**



\* For Slot Sizes Available See Tables

Model XG-6650 (11-1 & 12-1)									
S=1/2"	Number Of Slots								
Slot	1	2	3	4	5	6	7	8	
A	1 5/16	2 9/16	3 13/16	5 1/16	6 5/16	7 9/16	8 13/16	10 1/16	
D1	1 3/4	3	4 1/4	5 1/2	6 3/4	8	9 1/4	10 1/2	
D2	2 1/4	3 1/2	4 3/4	6	7 1/4	8 1/2	9 3/4	11	
C	1 7/8	3 1/8	4 3/8	5 5/8	6 7/8	8 1/8	9 3/8	10 5/8	
W	2 3/4	4	5 1/4	6 1/2	7 3/4	9	10 1/4	11 1/2	

Model XG-6675 (11-1 & 12-1)									
S=3/4"	Number Of Slots								
Slot	1	2	3	4	5	6	7	8	
A	1 9/16	3 1/16	4 9/16	6 1/16	7 9/16	9 1/16	10 9/16	12 1/16	
D1	2	3 1/2	5	6 1/2	8	9 3/4	11	12 1/2	
D2	2 1/2	4	5 1/2	7	8 1/2	10 1/4	11 1/2	13	
C	2 1/8	3 5/8	5 1/8	6 5/8	8 1/8	9 7/8	11 1/8	12 5/8	
W	3	4 1/2	6	7 1/2	9	10 3/4	12	13 1/2	

Model XG-6610 (11-1 & 12-1)									
S=1"	Number Of Slots								
Slot	1	2	3	4	5	6	7	8	
A	1 13/16	3 9/16	5 5/16	7 1/16	8 13/16	10 9/16	12 5/16	14 1/16	
D1	2 1/4	4	5 5/8	7 1/2	9 1/4	11	12 3/4	14 1/2	
D2	2 3/4	4 1/2	6 1/8	8	9 3/4	11 1/2	13 1/4	15	
C	2 3/8	4 1/8	5 3/4	7 5/8	9 3/8	11 1/8	12 7/8	14 5/8	
W	3 1/4	5	6 5/8	8 1/2	10 1/4	12	13 3/4	15 1/2	

Model XG-6615 (11-1 & 12-1)									
S=1 1/2"	Number Of Slots								
Slot	1	2	3	4	5	6	7	8	
A	2 5/16	4 9/16	6 13/16	9 1/16	N/A	N/A	N/A	N/A	
D1	2 3/4	5	7 1/4	9 1/2	N/A	N/A	N/A	N/A	
D2	3 1/4	5 1/2	7 3/4	10	N/A	N/A	N/A	N/A	
C	2 7/8	5 1/8	7 3/8	9 5/8	N/A	N/A	N/A	N/A	
W	3 3/4	6	8 1/4	10 1/2	N/A	N/A	N/A	N/A	

Notes:  (check if provided)

1. Available Finishes	2. Available Accessories	3. Available Options	4. Construction Details
<b>Standard Finish:</b> 20 White frame with black pattern controller.  <b>Optional Finishes (additional charge)</b> 21 Clear anodized with black pattern controller 28 Custom Color / Setup Charge	<b>Boot Plenums Available</b> XG-UP - Non-Insulated Boot Plenums XG-UPI - Insulated Boot Plenums		<ul style="list-style-type: none"> <li>Sizes available in only 1-8 slots.</li> <li>Longest single section is 96"</li> <li>Continuous lengths are made in sections.</li> </ul>