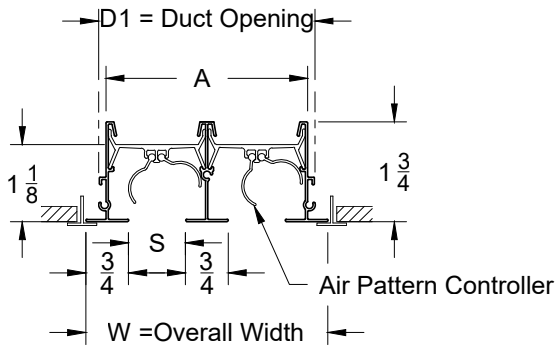
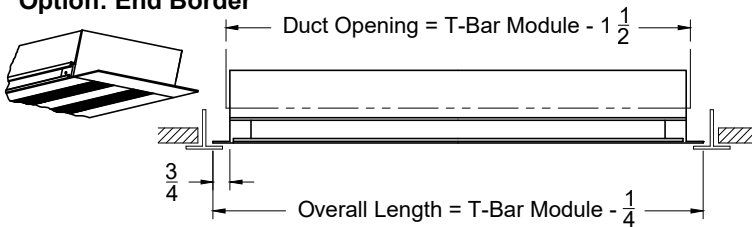


Model: XG-6600-20-6 3/4" Border - Lay In T-Bar with No Hardware

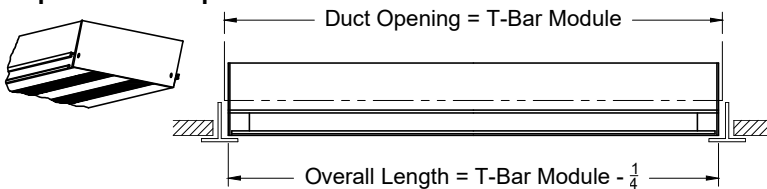
XG-6600-20-6 - Lay In T-Bar, no Hardware



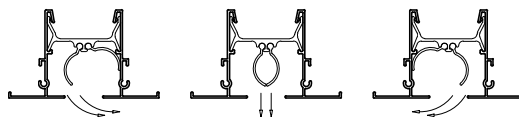
Option: End Border



Option: End Cap



Air Deflection Patterns



		S = Slots	A	D1	W
Model XG-6650	1/2" Slots	1	1 5/16	1 11/16	2
		2	2 9/16	3	3 1/4
		3	3 13/16	4 3/16	4 1/2
		4	5 1/16	5 7/16	5 3/4
		5	6 5/16	6 11/16	7
		6	7 9/16	8	8 1/4
		7	8 13/16	9 3/16	9 1/2
		8	10 1/16	10 7/16	10 3/4
Model XG-6675	3/4" Slots	1	1 9/16	1 15/16	2 1/4
		2	3 1/16	3	3 3/4
		3	4 9/16	4 15/16	5 1/4
		4	6 1/16	6 7/16	6 3/4
		5	7 9/16	7 15/16	8 1/4
		6	9 1/16	9	9 3/4
		7	10 9/16	10 15/16	11 1/4
		8	12 1/16	12 7/16	12 3/4
Model XG-6610	1" Slots	1	1 13/16	2 3/16	2 1/2
		2	3 9/16	4	4 1/4
		3	5 5/16	5 11/16	6
		4	7 1/16	7 7/16	7 3/4
		5	8 13/16	9 3/16	9 1/2
		6	10 9/16	11	11 1/4
		7	12 5/16	12 11/16	13
		8	14 1/16	14 7/16	14 3/4
Model 6615	1 1/2" Slots	1	2 5/16	2 13/16	3
		2	4 9/16	5 1/16	5 1/4
		3	6 13/16	7 5/16	7 1/2
		4	9 1/16	10	9 3/4
		5	N/A	N/A	N/A
		6	N/A	N/A	N/A
		7	N/A	N/A	N/A
		8	N/A	N/A	N/A

1. Available Finishes

Standard Finish:
 20 - White Face, Black Back
 21 - Clear anodized with Black Pattern
 Controller
 03 - Black
 Optional Finish:
 28 - Special/Setup Charge

2. Available Accessories

3. Available Options

MRI - MRI Construction
 1EC - (1) End Cap
 2EC - (2) End Caps
 1EB - (1) End Border
 2EB - (2) End Borders
 OO - Open / Open

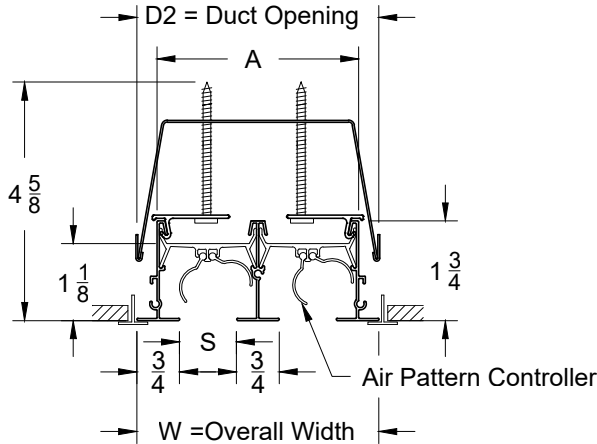
4. Construction Details

- Sizes available in only 1-8 slots
- Longest single section is 96"
- Continuous lengths are made in sections

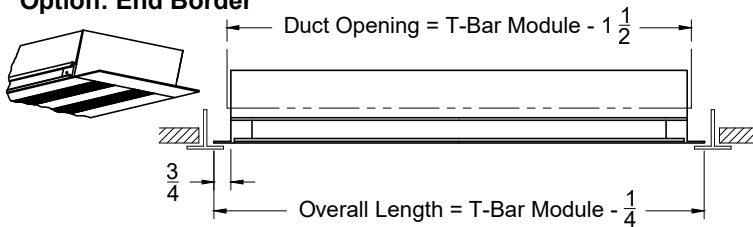
All Dimensions ±1/16"

Model: XG-6600-22-6 3/4" Border - Lay In T-Bar with Concealed Hardware

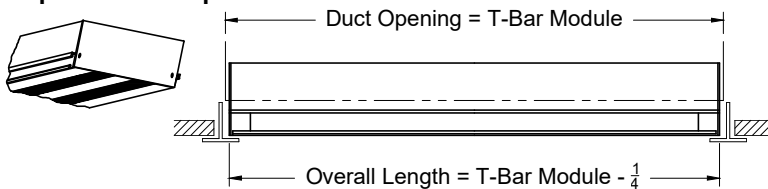
XG-6600-22-6 - Lay In T-Bar, Hardware



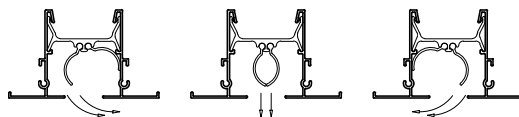
Option: End Border



Option: End Cap



Air Deflection Patterns



	S = Slots	A	D2	W	
Model XG-6650	1/2" Slots	1	1 5/16	1 13/16	2
		2	2 9/16	3 1/16	3 1/4
		3	3 13/16	4 5/16	4 1/2
		4	5 1/16	6	5 3/4
		5	6 5/16	6 13/16	7
		6	7 9/16	8 1/16	8 1/4
		7	8 13/16	9 5/16	9 1/2
		8	10 1/16	11	10 3/4
Model XG-6675	3/4" Slots	1	1 9/16	2 1/16	2 1/4
		2	3 1/16	3 9/16	3 3/4
		3	4 9/16	5 1/16	5 1/4
		4	6 1/16	7	6 3/4
		5	7 9/16	8 1/16	8 1/4
		6	9 1/16	9 9/16	9 3/4
		7	10 9/16	11 1/16	11 1/4
		8	12 1/16	13	12 3/4
Model XG-6610	1" Slots	1	1 13/16	2 5/16	2 1/2
		2	3 9/16	4 1/16	4 1/4
		3	5 5/16	5 13/16	6
		4	7 1/16	8	7 3/4
		5	8 13/16	9 5/16	9 1/2
		6	10 9/16	11 1/16	11 1/4
		7	12 5/16	12 13/16	13
		8	14 1/16	15	14 3/4
Model 6615	1 1/2" Slots	1	2 5/16	2 13/16	3
		2	4 9/16	5 1/16	5 1/4
		3	6 13/16	7 5/16	7 1/2
		4	9 1/16	10	9 3/4
		5	N/A	N/A	N/A
		6	N/A	N/A	N/A
		7	N/A	N/A	N/A
		8	N/A	N/A	N/A

1. Available Finishes

Standard Finish:
 20 - White Face, Black Back
 21 - Clear anodized with Black Pattern
 Controller
 03 - Black
 Optional Finish:
 28 - Special/Setup Charge

2. Available Accessories

3. Available Options

MRI - MRI Construction
 1EC - (1) End Cap
 2EC - (2) End Caps
 1EB - (1) End Border
 2EB - (2) End Borders
 OO - Open / Open

4. Construction Details

- Sizes available in only 1-8 slots
- Longest single section is 96"
- Continuous lengths are made in sections

All Dimensions ±1/16"