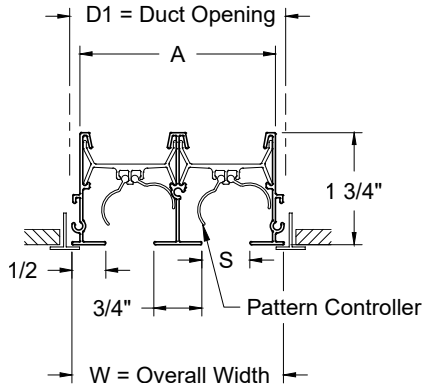
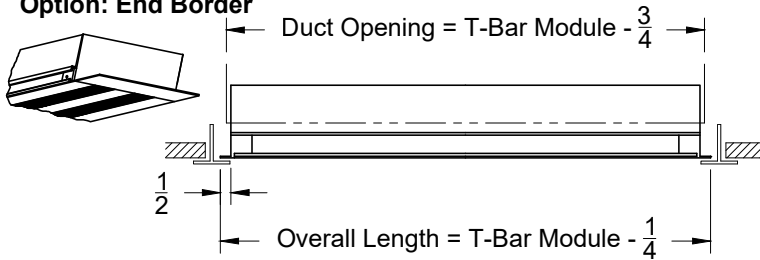


Model: XG-6600-30-6 1/2" Border - Lay In T-Bar with No Hardware

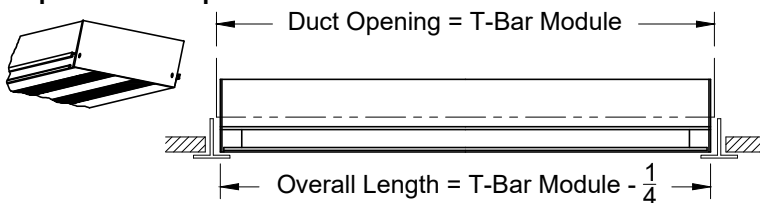
XG-6600-30-6 - Lay In T-Bar, no Hardware



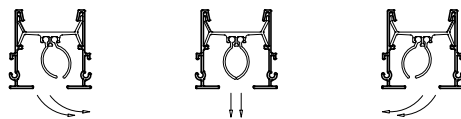
Option: End Border



Option: End Cap



Air Deflection Patterns



Model	Slots	A	D1	W
		Model XG-6650		
1/2" Slots	1	1 5/16	1 9/16	1 9/16
	2	2 9/16	3	2 13/16
	3	3 13/16	4 1/16	4 1/16
	4	5 1/16	5 5/16	5 5/16
	5	6 5/16	6 9/16	6 9/16
	6	7 9/16	8	7 13/16
	7	8 13/16	9 1/16	9 1/16
	8	10 1/16	10 5/16	10 5/16
Model XG-6675				
3/4" Slots	1	1 9/16	1 13/16	1 13/16
	2	3 1/16	3	3 5/16
	3	4 9/16	4 13/16	4 13/16
	4	6 1/16	6 5/16	6 5/16
	5	7 9/16	7 13/16	7 13/16
	6	9 1/16	9	9 5/16
	7	10 9/16	10 13/16	10 13/16
	8	12 1/16	12 5/16	12 5/16
Model XG-6610				
1" Slots	1	1 13/16	2 1/16	2 1/16
	2	3 9/16	4	3 13/16
	3	5 5/16	5 9/16	5 9/16
	4	7 1/16	7 5/16	7 5/16
	5	8 13/16	9 1/16	9 1/16
	6	10 9/16	11	10 13/16
	7	12 5/16	12 9/16	12 9/16
	8	14 1/16	14 5/16	14 5/16
Model 6615				
1 1/2" Slots	1	2 5/16	2 9/16	2 9/16
	2	4 9/16	5	4 13/16
	3	6 13/16	7 1/16	7 1/16
	4	9 1/16	9 5/16	9 5/16
	5	N/A	N/A	N/A
	6	N/A	N/A	N/A
	7	N/A	N/A	N/A
	8	N/A	N/A	N/A

1. Available Finishes

Standard Finish:
 20 - White Face, Black Back
 21 - Clear anodized with Black Pattern Controller
 03 - Black
 Optional Finish:
 28 - Special/Setup Charge

2. Available Accessories

3. Available Options

MRI - MRI Construction
 1EC - (1) End Cap
 2EC - (2) End Caps
 1EB - (1) End Border
 2EB - (2) End Borders
 OO - Open / Open

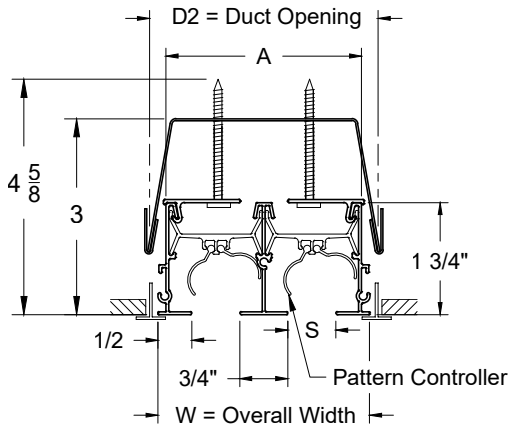
4. Construction Details

- Sizes available in only 1-8 slots
- Longest single section is 96"
- Continuous lengths are made in sections

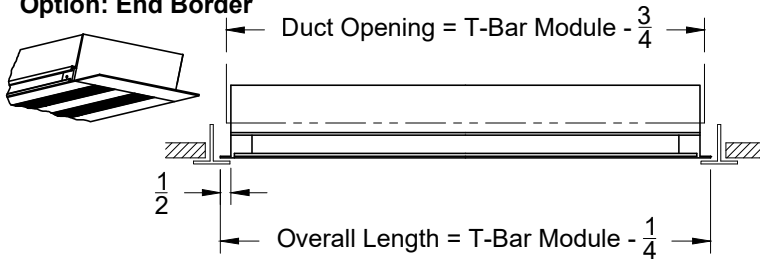
All Dimensions ±1/16"

Model: XG-6600-32-6 1/2" Border - Lay In T-Bar with Concealed Hardware

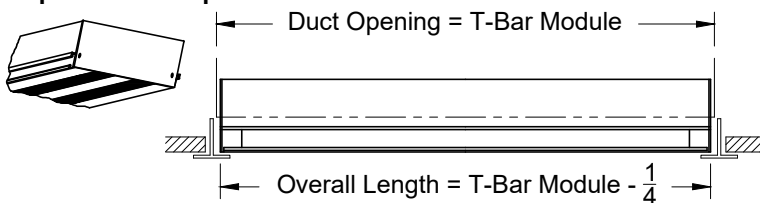
XG-6600-32-6 - Lay In T-Bar, Hardware



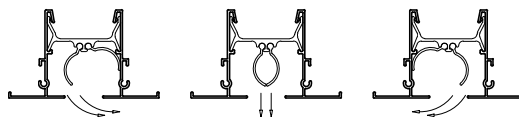
Option: End Border



Option: End Cap



Air Deflection Patterns



		S = Slots	A	D2	W
Model XG-6650	1/2" Slots	1	1 5/16	1 13/16	1 9/16
		2	2 9/16	3 1/16	2 13/16
		3	3 13/16	4 5/16	4 1/16
		4	5 1/16	6	5 5/16
		5	6 5/16	6 13/16	6 9/16
		6	7 9/16	8 1/16	7 13/16
		7	8 13/16	9 5/16	9 1/16
		8	10 1/16	11	10 5/16
Model XG-6675	3/4" Slots	1	1 9/16	2 1/16	1 13/16
		2	3 1/16	3 9/16	3 5/16
		3	4 9/16	5 1/16	4 13/16
		4	6 1/16	7	6 5/16
		5	7 9/16	8 1/16	7 13/16
		6	9 1/16	9 9/16	9 5/16
		7	10 9/16	11 1/16	10 13/16
		8	12 1/16	13	12 5/16
Model XG-6610	1" Slots	1	1 13/16	2 5/16	2 1/16
		2	3 9/16	4 1/16	3 13/16
		3	5 5/16	5 13/16	5 9/16
		4	7 1/16	8	7 5/16
		5	8 13/16	9 5/16	9 1/16
		6	10 9/16	11 1/16	10 13/16
		7	12 5/16	12 13/16	12 9/16
		8	14 1/16	15	14 5/16
Model 6615	1 1/2" Slots	1	2 5/16	2 13/16	2 9/16
		2	4 9/16	5 1/16	4 13/16
		3	6 13/16	7 5/16	7 1/16
		4	9 1/16	10	9 5/16
		5	N/A	N/A	N/A
		6	N/A	N/A	N/A
		7	N/A	N/A	N/A
		8	N/A	N/A	N/A

1. Available Finishes

Standard Finish:
 20 - White Face, Black Back
 21 - Clear anodized with Black Pattern Controller
 03 - Black
 Optional Finish:
 28 - Special/Setup Charge

2. Available Accessories

3. Available Options

MRI - MRI Construction
 1EC - (1) End Cap
 2EC - (2) End Caps
 1EB - (1) End Border
 2EB - (2) End Borders
 OO - Open / Open

4. Construction Details

- Sizes available in only 1-8 slots
- Longest single section is 96"
- Continuous lengths are made in sections

All Dimensions ±1/16"