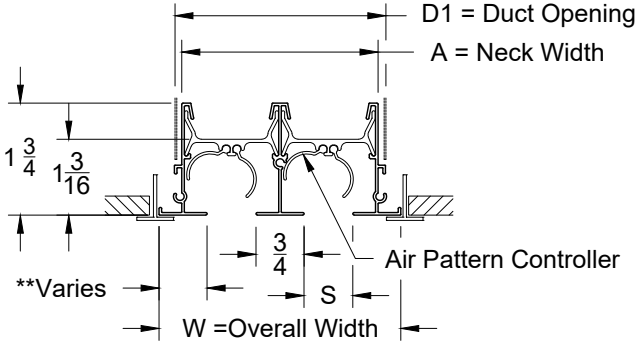


Model: XG-6675TZ4-6

TechZone Border - 4" Width - Lay In T-Bar with No Hardware

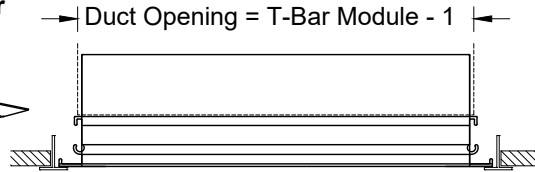
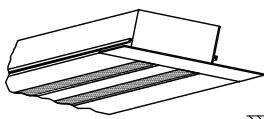
XG-6675TZ4-6 - TechZone Lay In T-Bar



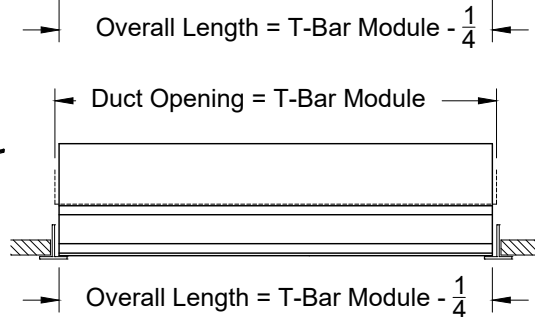
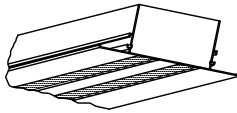
XG-6675TZ4-6		
S=3/4"	Number of Slots	
Slot	1	2
A	1 9/16	3 1/16
D1	2	3 1/2
W	3 3/4	3 3/4

** Side Frame Varies per Slots required.
* For Number of Slot Available See Table

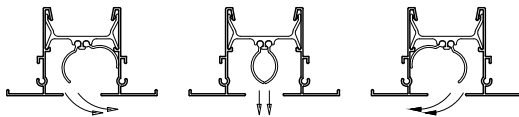
Option: End Border



Option: End Cap



Air Deflection Patterns



1. Available Finishes

Standard Finish:
 20 - White Face, Black Back
 02 - Satin Silver
 03 - Black
 Optional Finish:
 28 - Special/Setup Charge

2. Available Accessories

3. Available Options

1EC - (1) End Cap
 2EC - (2) End Caps
 1EB - (1) End Border
 2EB - (2) End Borders
 OO - Open / Open

4. Construction Details

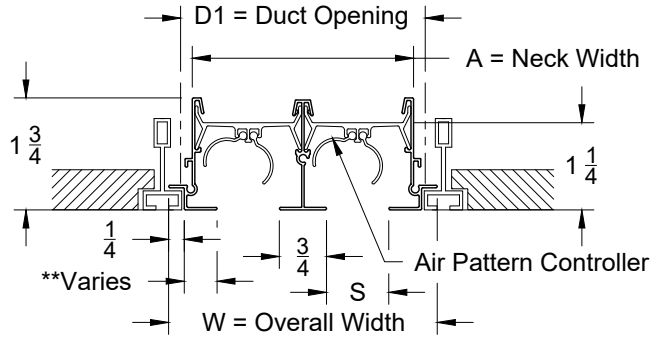
- Longest single section is 96"
- Continuous lengths are made in sections
- Extruded Aluminum

All Dimensions ±1/16"

Model: XG-6675TZ4-9

TechZone Border - 4" Width - Bolt Slot with No Hardware

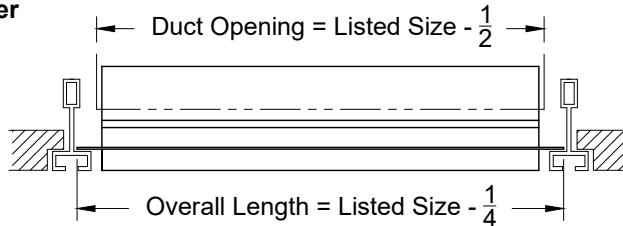
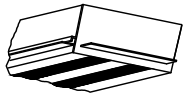
XG-6675TZ4-9 - TechZone Bolt Slot



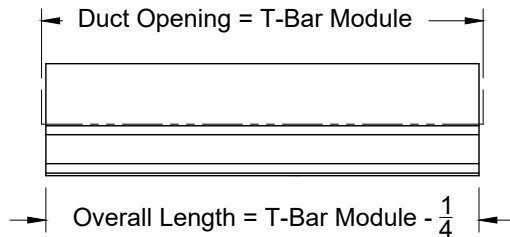
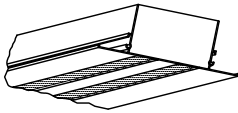
XG-6675TZ4-9		
S=3/4"	Number of Slots	
Slot	1	2
A	1 9/16	3 1/16
D1	2	3 1/2
W	3 3/4	3 3/4

** Side Frame Varies per Slots required.
* For Number of Slot Available See Table

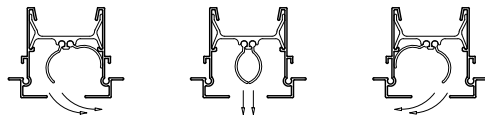
Option: End Border



Option: End Cap



Air Deflection Patterns



1. Available Finishes

Standard Finish:
 20 - White Face, Black Back
 02 - Satin Silver
 03 - Black
 Optional Finish:
 28 - Special/Setup Charge

2. Available Accessories

3. Available Options

1EC - (1) End Cap
 2EC - (2) End Caps
 1EB - (1) End Border
 2EB - (2) End Borders
 OO - Open / Open

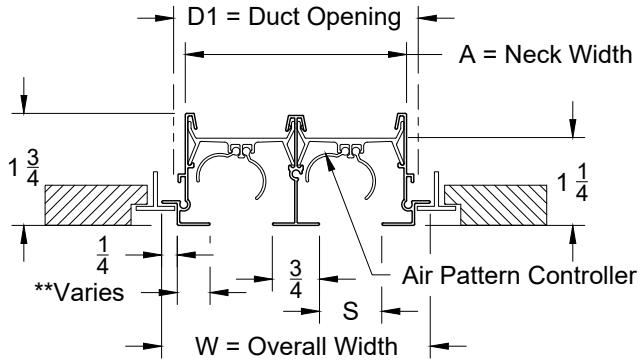
4. Construction Details

- Longest single section is 96"
- Continuous lengths are made in sections
- Extruded Aluminum

All Dimensions ±1/16"

Model: XG-6675TZ4-NT TechZone Border - 4" Width - Narrow Tee with No Hardware

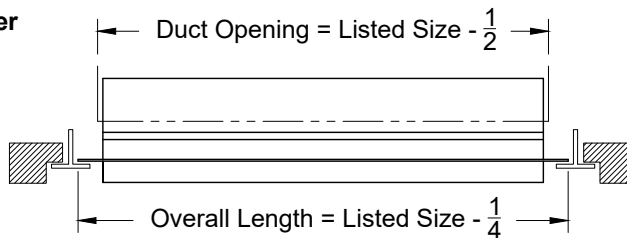
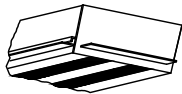
XG-6675TZ4-NT - TechZone Narrow Tee



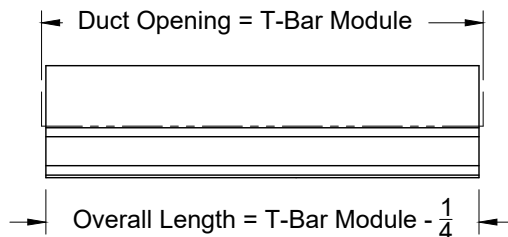
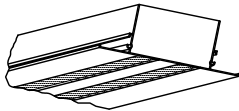
XG-6675TZ4-NT		
S=3/4"	Number of Slots	
Slot	1	2
A	1 9/16	3 1/16
D1	2	3 1/2
W	3 3/4	3 3/4

** Side Frame Varies per Slots required.
* For Number of Slot Available See Table

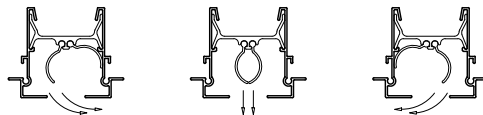
Option: End Border



Option: End Cap



Air Deflection Patterns



1. Available Finishes

Standard Finish:
20 - White Face, Black Back
02 - Satin Silver
03 - Black
Optional Finish:
28 - Special/Setup Charge

2. Available Accessories

3. Available Options

1EC - (1) End Cap
2EC - (2) End Caps
1EB - (1) End Border
2EB - (2) End Borders
OO - Open / Open

4. Construction Details

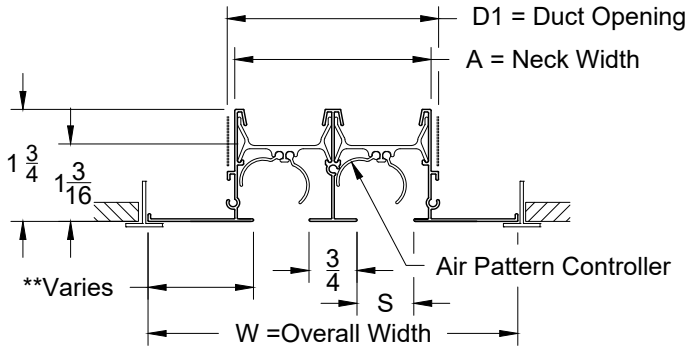
- Longest single section is 96"
- Continuous lengths are made in sections
- Extruded Aluminum

All Dimensions ±1/16"

Model: XG-6675TZ6-6

TechZone Border - 6" Width - Lay-In T-Bar with No Hardware

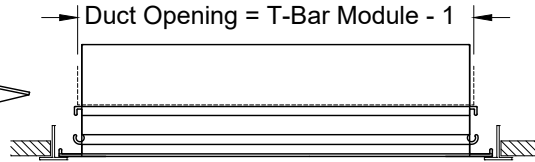
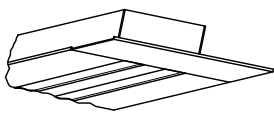
XG-6675TZ6-6 - TechZone Lay-In T-Bar



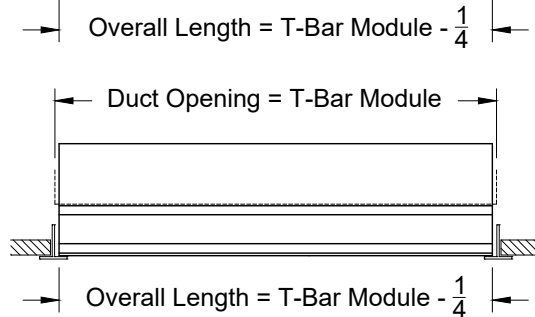
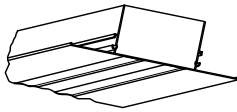
XG-6675TZ6-6				
S=3/4"	Number of Slots			
Slot	1	2	3	4
A	1 9/16	3 1/16	4 9/16	5 9/16
D1	2	3 1/2	5	6
W	5 3/4	5 3/4	5 3/4	5 3/4

* For Number of Slot Available See Table
** Side Frame Varies per Slots required.

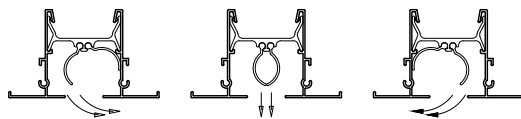
Option: End Border



Option: End Cap



Air Deflection Patterns



1. Available Finishes

Standard Finish:
20 - White Face, Black Back
02 - Satin Silver
03 - Black
Optional Finish:
28 - Special/Setup Charge

2. Available Accessories

3. Available Options

1EC - (1) End Cap
2EC - (2) End Caps
1EB - (1) End Border
2EB - (2) End Borders
OO - Open / Open

4. Construction Details

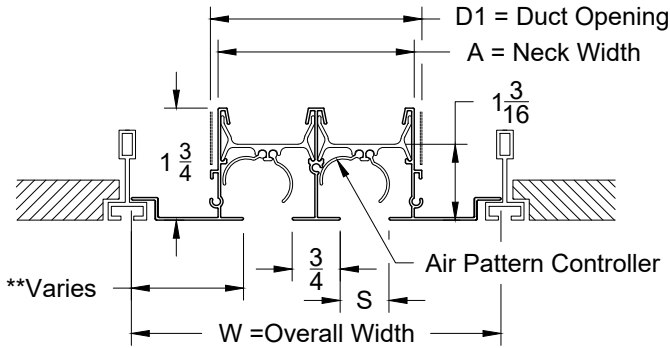
- Longest single section is 96"
- Continuous lengths are made in sections
- Extruded Aluminum

All Dimensions ±1/16"

Model: XG-6675TZ6-9

TechZone Border - 6" Width - Bolt Slot with No Hardware

XG-6675TZ6-9 - TechZone Bolt Slot

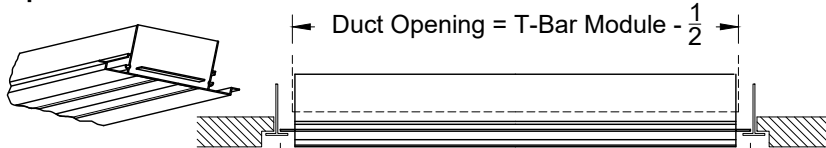


**Varies

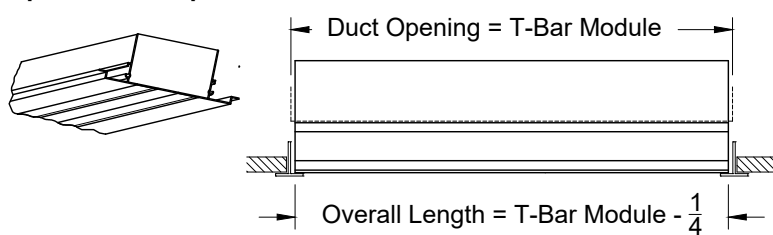
* For Number of Slot Available See Table
** Side Frame Varies per Slots required.

XG-6675TZ6-9			
S=3/4"	Number of Slots		
Slot	1	2	3
A	1 9/16	3 1/16	4 9/16
D1	2	3 1/2	5
W	5 3/4	5 3/4	5 3/4

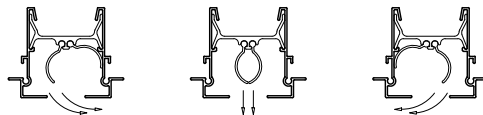
Option: End Border



Option: End Cap



Air Deflection Patterns

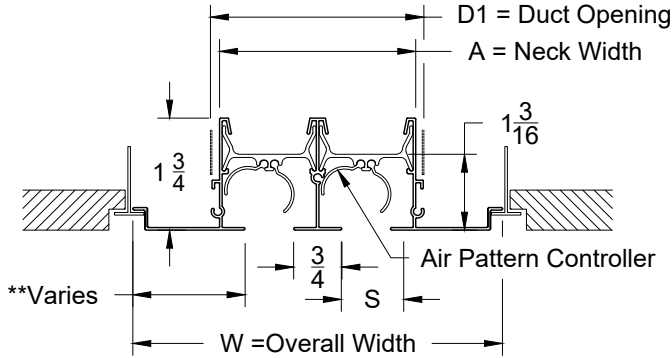


1. Available Finishes	2. Available Accessories	3. Available Options	4. Construction Details
Standard Finish: 20 - White Face, Black Back 02 - Satin Silver 03 - Black Optional Finish: 28 - Special/Setup Charge		1EC - (1) End Cap 2EC - (2) End Caps 1EB - (1) End Border 2EB - (2) End Borders OO - Open / Open	<ul style="list-style-type: none"> • Longest single section is 96" • Continuous lengths are made in sections • Extruded Aluminum

All Dimensions ±1/16"

Model: XG-6675TZ6-NT TechZone Border - 6" Width - Narrow Tee with No Hardware

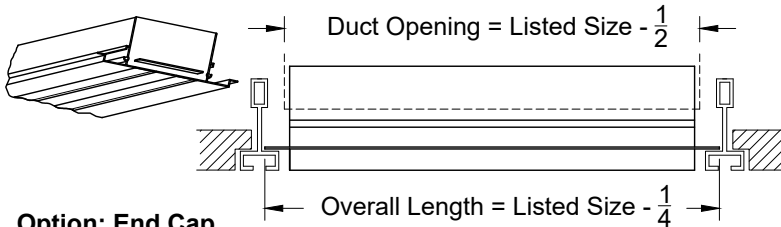
XG-6675TZ6-NT - TechZone Narrow Tee



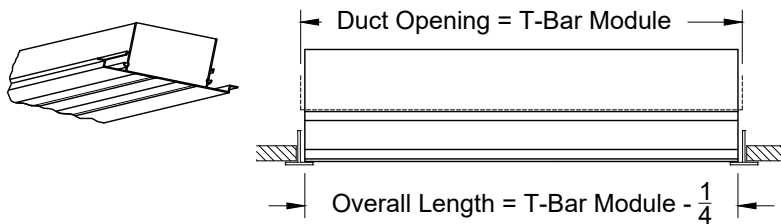
XG-6675TZ6-NT			
S=3/4"	Number of Slots		
Slot	1	2	3
A	1 9/16	3 1/16	4 9/16
D1	2	3 1/2	5
W	5 3/4	5 3/4	5 3/4

* For Number of Slot Available See Table
** Side Frame Varies per Slots required.

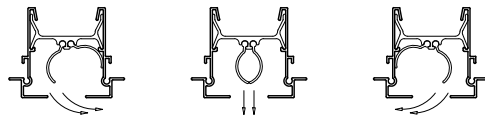
Option: End Border



Option: End Cap



Air Deflection Patterns



1. Available Finishes	2. Available Accessories	3. Available Options	4. Construction Details
Standard Finish: 20 - White Face, Black Back 02 - Satin Silver 03 - Black Optional Finish: 28 - Special/Setup Charge		1EC - (1) End Cap 2EC - (2) End Caps 1EB - (1) End Border 2EB - (2) End Borders OO - Open / Open	<ul style="list-style-type: none"> • Longest single section is 96" • Continuous lengths are made in sections • Extruded Aluminum

All Dimensions ±1/16"