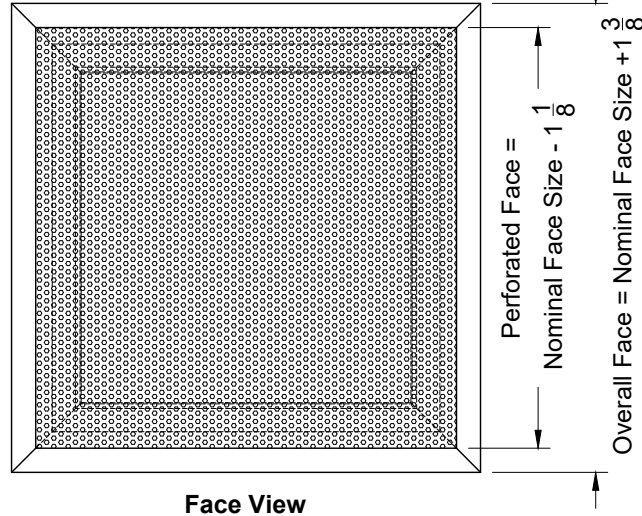
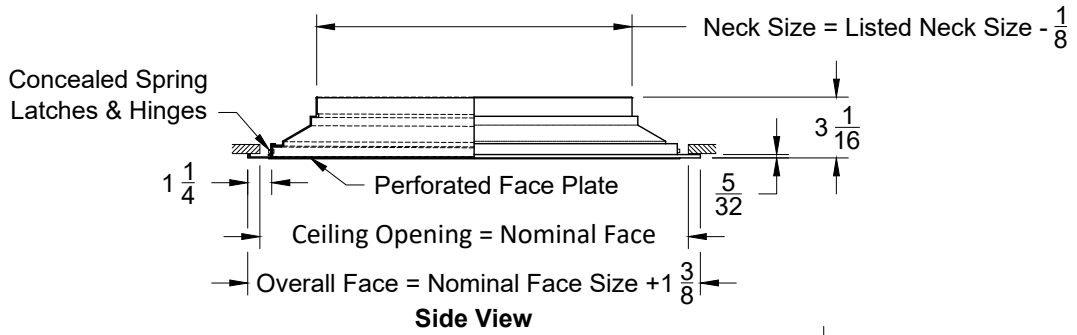
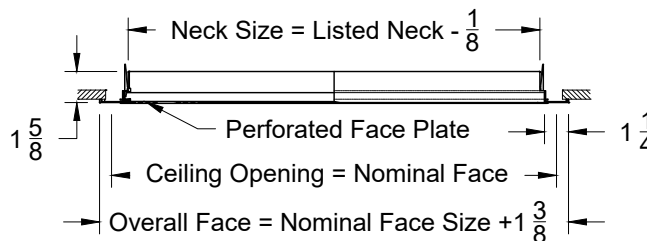


Model: XG-7000R-1 Perforated Face - Flush Surface Mount

XG-7000R-1 - Flush Surface Mount



Listed Nominal Face	Largest Neck Size
12 x 12	6 x 6
14 x 14	8 x 8
15 x 15	9 x 9
16 x 16	10 x 10
18 x 18	12 x 12
20 x 20	14 x 14
21 x 21	15 x 15
24 x 12	18 x 6
24 x 24	16 x 16
48 x 24	18 x 18

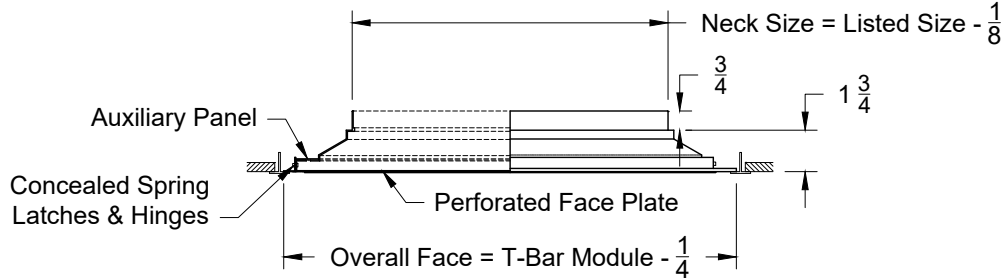


* Low Profile - Side View

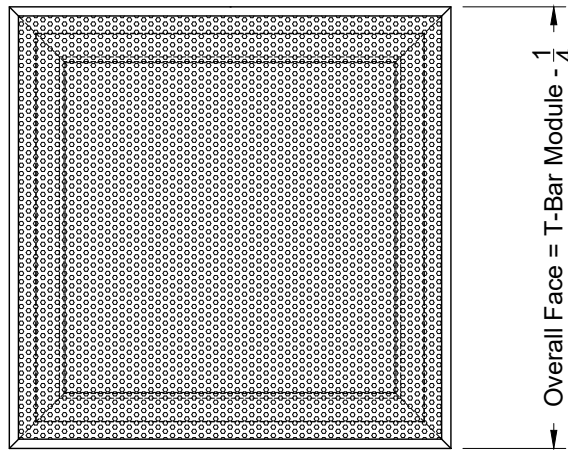
1. Available Finishes	2. Available Accessories	3. Available Options	4. Construction Details
Standard Finish: 01 White Finish 02 Satin Silver 03 Black 22 BBP - Black Backpan - White Face Optional Finish 28 Custom Color	XG-D7 - Steel, Opposed Blade Damper XG-D7A - Aluminum, OBD XG-G3 - Equalizing Grid (Round) XG-L9 - Equalizing Grid (Square/Rect.) XG-TBPF - T-Bar Plaster Frame XG-LIPF - Lay-In Plaster Frame XG-TR - Square to Round Transition XG-TR-Deep - Deep Transition		<ul style="list-style-type: none"> Aluminum Construction Perforated Face: 3/16 Holes on 1/4 Staggered Centers * Frame type used only on units with 2" difference between the neck and face size All Dimensions ±1/16"

Model: XG-7000R-6 Perforated Face - Lay In T-Bar

XG-7000R-6 - Lay in T-Bar



Side View



Face View

Listed Nominal	Largest Size
Face	Neck
12 x 12	6 x 6
20 x 20	14 x 14
24 x 12	18 x 6
24 x 24	18 x 18
36 x 12	18 x 6
36 x 24	16 x 16
48 x 12	18 x 6
48 x 24	18 x 18

1. Available Finishes

Standard Finish:
01 White
Finish
02 Satin Silver
03 Black
22 BBP - Black
Backpan - White Face
Optional Finish
28 Custom Color

2. Available Accessories

XG-D7 - Steel, Opposed Blade Damper
XG-D7A - Aluminum, OBD
XG-G3 - Equalizing Grid (Round)
XG-L9 - Equalizing Grid (Square/Rect.)
XG-TBPF - T-Bar Plaster Frame
XG-LIPF - Lay-In Plaster Frame
XG-TR - Square to Round Transition
XG-TR-Deep - Deep Transition

3. Available Options

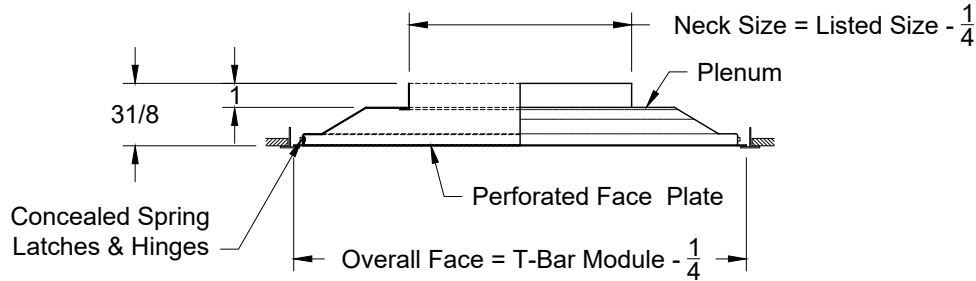
4. Construction Details

- Aluminum Construction
- Perforated Face: 3/16 Holes on 1/4 Staggered Centers

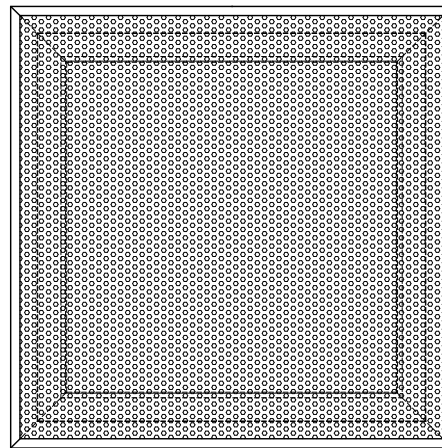
All Dimensions $\pm 1/16$ "

Model: XG-7000R-6-24x24 Perforated Face - 24 x 24 Grid Size Only

XG-7000R-6 - 24 X 24 - Lay in T-Bar



Side View



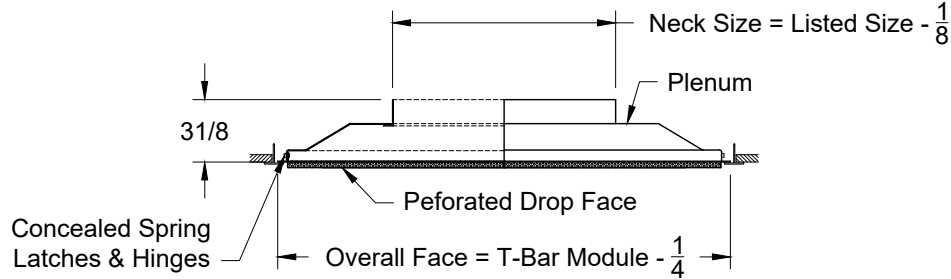
Face View

Listed Nominal	Largest Size
Face 24 x 24	Neck 18 x 18

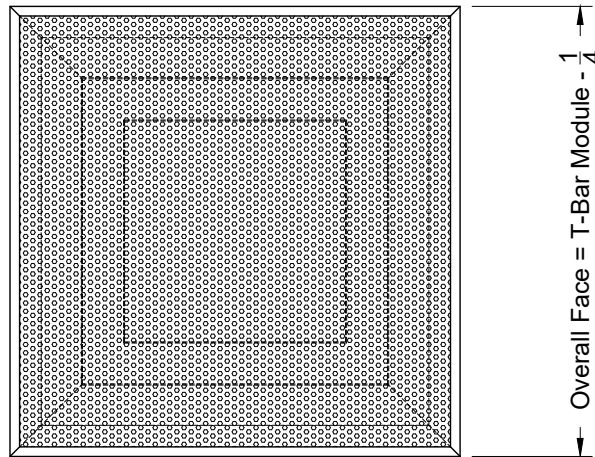
1. Available Finishes	2. Available Accessories	3. Available Options	4. Construction Details
Standard Finish: 01 White Finish 02 Satin Silver 03 Black 22 BBP - Black Backpan - White Face Optional Finish 28 Custom Color	XG-D7 - Steel, Opposed Blade Damper XG-D7A - Aluminum, OBD XG-G3 - Equalizing Grid (Round) XG-L9 - Equalizing Grid (Square/Rect.) XG-TBPF - T-Bar Plaster Frame XG-LIPF - Lay-In Plaster Frame XG-TR - Square to Round Transition XG-TR-Deep - Deep Transition		<ul style="list-style-type: none"> Aluminum Construction Perforated Face: 3/16 Holes on 1/4 Staggered Centers <p style="text-align: right;">All Dimensions ±1/16"</p>

Model: XG-7000R-8 Perforated Face - Tegular T-Bar

XG-7000R-8 - Tegular T-Bar



Side View



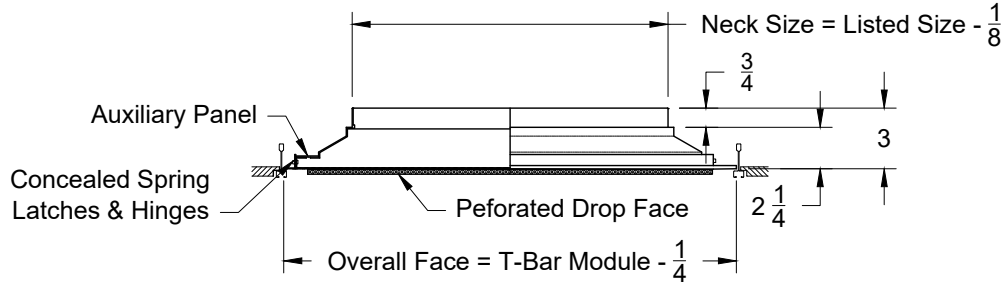
Face View

Listed Nominal	Largest Size
Face	Neck
24 x 24	14 x 14

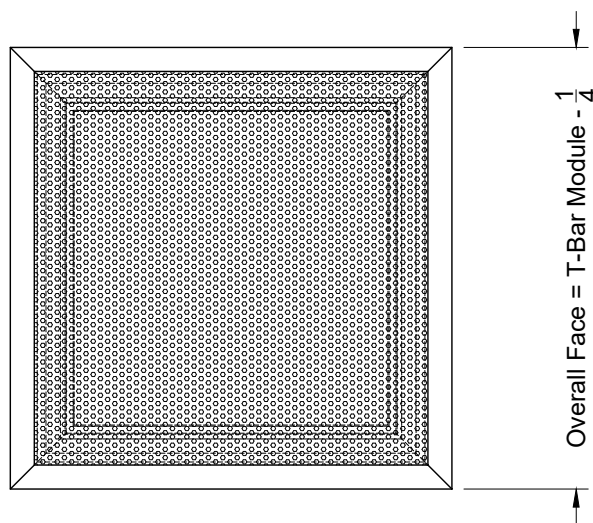
1. Available Finishes	2. Available Accessories	3. Available Options	4. Construction Details
Standard Finish: 01 White Finish 02 Satin Silver 03 Black 22 BBP - Black Backpan - White Face Optional Finish 28 Custom Color	XG-D7 - Steel, Opposed Blade Damper XG-D7A - Aluminum, OBD XG-G3 - Equalizing Grid (Round) XG-L9 - Equalizing Grid (Square/Rect.) XG-TBPF - T-Bar Plaster Frame XG-LIPF - Lay-In Plaster Frame XG-TR - Square to Round Transition XG-TR-Deep - Deep Transition		<ul style="list-style-type: none"> Aluminum Construction Perforated Face: 3/16 Holes on 1/4 Staggered Centers <p style="text-align: right;">All Dimensions ±1/16"</p>

Model: XG-7000R-9 Perforated Face - Bolt Slot/Donn Finline

XG-7000R-9 - Bolt Slot



Side View



Listed Nominal	Largest Size
Face	Neck
24 x 24	18 x 18

Face View

1. Available Finishes	2. Available Accessories	3. Available Options	4. Construction Details
Standard Finish: 01 White Finish 02 Satin Silver 03 Black 22 BBP - Black Backpan - White Face Optional Finish 28 Custom Color	XG-D7 - Steel, Opposed Blade Damper XG-D7A - Aluminum, OBD XG-G3 - Equalizing Grid (Round) XG-L9 - Equalizing Grid (Square/Rect.) XG-TBPF - T-Bar Plaster Frame XG-LIPF - Lay-In Plaster Frame XG-TR - Square to Round Transition XG-TR-Deep - Deep Transition		<ul style="list-style-type: none"> Aluminum Construction Perforated Face: 3/16 Holes on 1/4 Staggered Centers

All Dimensions $\pm 1/16"$