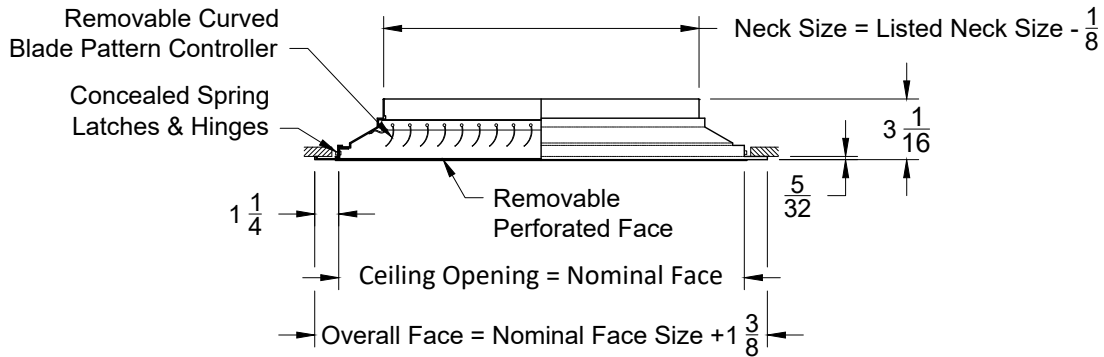


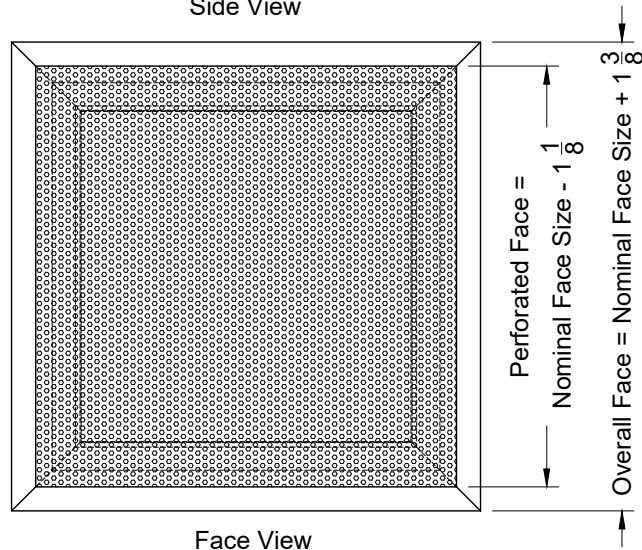
Model: XG-7000-1

Perforated Face with Pattern Controllers - Flush Surface Mount

XG-7000-1 - Flush Ceiling Mount



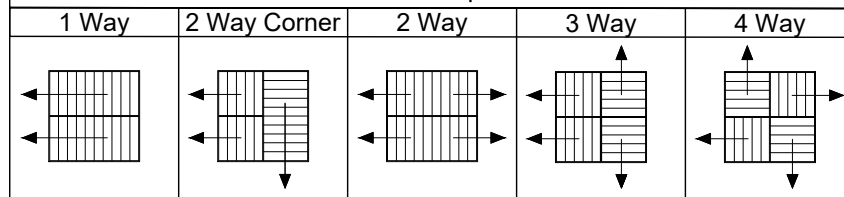
Side View



Face View

Listed Nominal Face	Largest Neck Size
12 x 12	6 x 6
14 x 14	8 x 8
15 x 15	9 x 9
16 x 16	10 x 10
18 x 18	12 x 12
20 x 20	14 x 14
21 x 21	15 x 15
24 x 12	18 x 6
24 x 24	18 x 18
36 x 12	18 x 6
36 x 24	16 x 16
48 x 12	18 x 6
48 x 24	18 x 18

Air Pattern Options

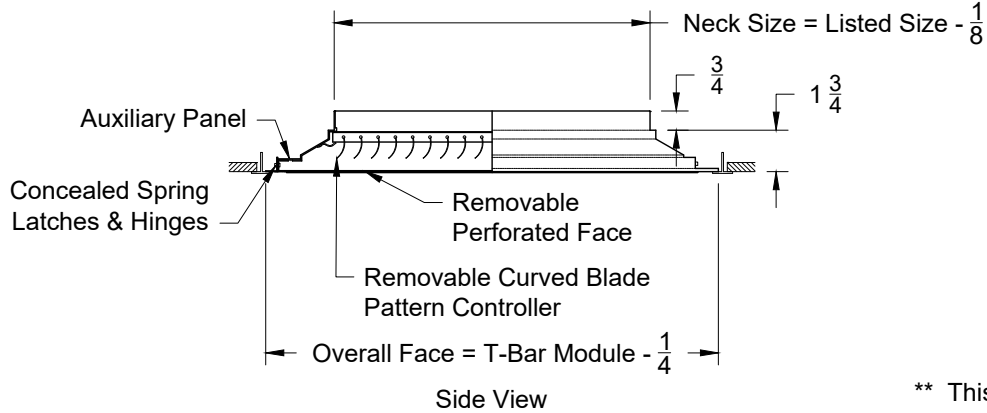


1. Available Finishes	2. Available Accessories	3. Available Options	4. Construction Details
Standard Finish: 01 White Finish 02 Satin Silver 03 Black 22 BBP - Black Backpan - White Face Optional Finish 28 Custom Color	XG-D7 - Steel, Opposed Blade Damper XG-D7A - Aluminum, OBD XG-G3 - Equalizing Grid (Round) XG-L9 - Equalizing Grid (Square/Rect.) XG-TBPF - T-Bar Plaster Frame XG-LIPF - Lay-In Plaster Frame XG-TR - Square to Round Transition XG-TR-Deep - Deep Transition		<ul style="list-style-type: none"> Aluminum Construction Available Core Patterns: (1W, 2W, 2C, (Corner), 3W, 4W)

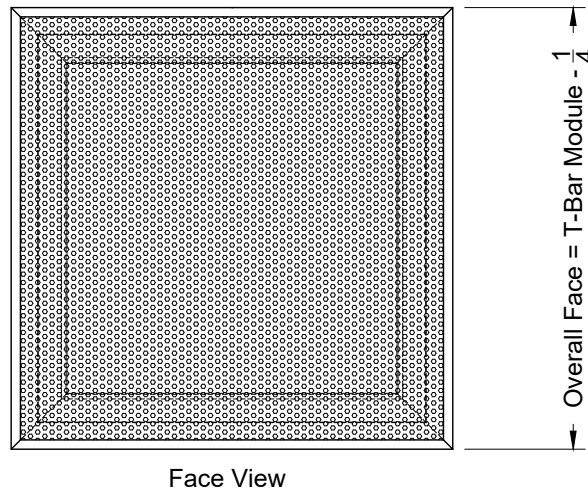
All Dimensions $\pm 1/16$ "

Model: XG-7000-6 Perforated Face with Pattern Controllers - Lay In T-Bar **

XG-7000-6 - Lay in T-Bar

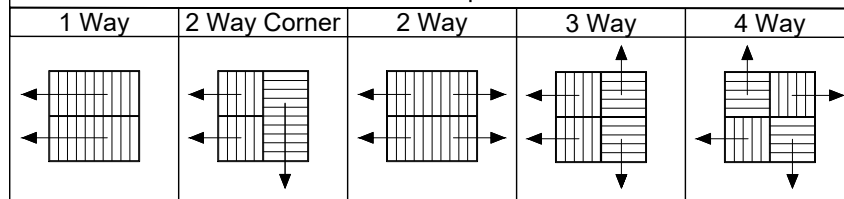


** This frame style is used on all sizes besides 24x24



Listed Nominal	Largest Size
Face	Neck
12 x 12	6 x 6
20 x 20	14 x 14
24 x 12	18 x 6
36 x 12	18 x 6
36 x 24	16 x 16
48 x 12	18 x 6
48 x 24	18 x 18

Air Pattern Options

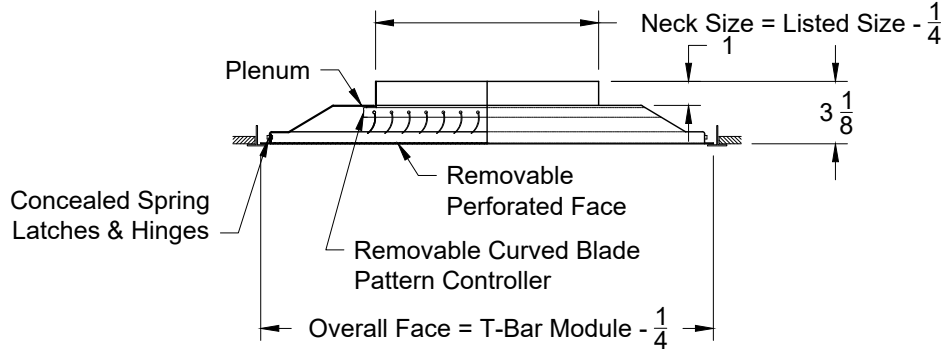


1. Available Finishes	2. Available Accessories	3. Available Options	4. Construction Details
Standard Finish: 01 White Finish 02 Satin Silver 03 Black 22 BBP - Black Backpan - White Face Optional Finish 28 Custom Color	XG-D7 - Steel, Opposed Blade Damper XG-D7A - Aluminum, OBD XG-G3 - Equalizing Grid (Round) XG-L9 - Equalizing Grid (Square/Rect.) XG-TBPF - T-Bar Plaster Frame XG-LIPF - Lay-In Plaster Frame XG-TR - Square to Round Transition XG-TR-Deep - Deep Transition		<ul style="list-style-type: none"> Aluminum Construction Available Core Patterns: (1W, 2W, 2C, (Corner), 3W, 4W)

All Dimensions ±1/16"

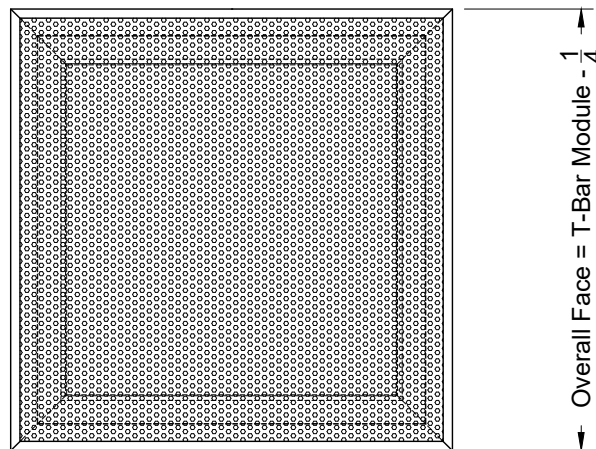
Model: XG-7000-6 Perforated Face with Pattern Controllers - 24 x 24 - Lay In T-Bar *

XG-7000-6 - 24 X 24 - Lay in T-Bar



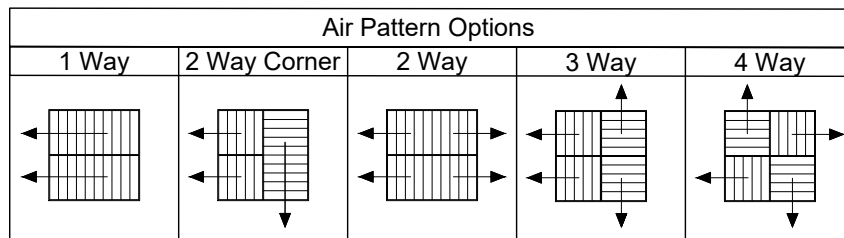
Side View

* Only available on 24x24 module size



Face View

Listed Nominal	Largest Size
Face	Neck
24 x 24	18 x 18

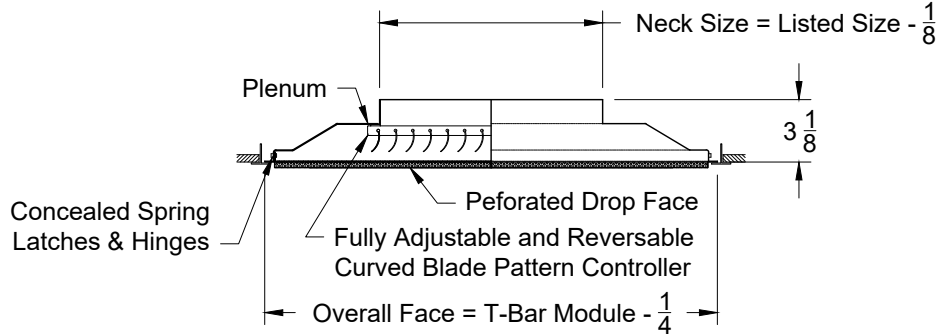


1. Available Finishes	2. Available Accessories	3. Available Options	4. Construction Details
Standard Finish: 01 White Finish 02 Satin Silver 03 Black 22 BBP - Black Backpan - White Face Optional Finish 28 Custom Color	XG-D7 - Steel, Opposed Blade Damper XG-D7A - Aluminum, OBD XG-G3 - Equalizing Grid (Round) XG-L9 - Equalizing Grid (Square/Rect.) XG-TBPF - T-Bar Plaster Frame XG-LIPF - Lay-In Plaster Frame XG-TR - Square to Round Transition XG-TR-Deep - Deep Transition		<ul style="list-style-type: none"> Aluminum Construction Available Core Patterns: (1W, 2W, 2C, (Corner), 3W, 4W)

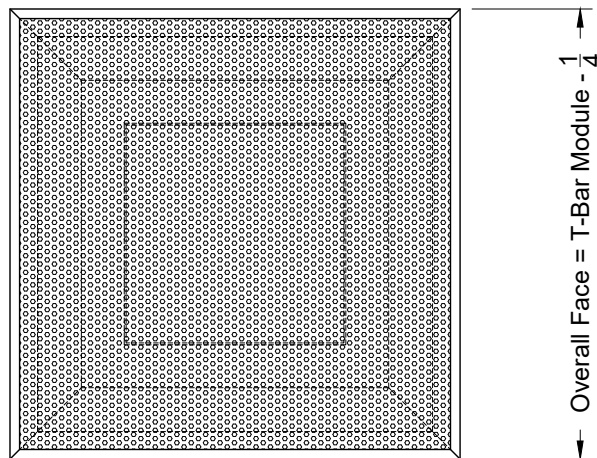
All Dimensions ±1/16"

Model: XG-7000-8 Perforated Face with Pattern Controllers - Tegular T-Bar

XG-7000-8 - Tegular T-Bar



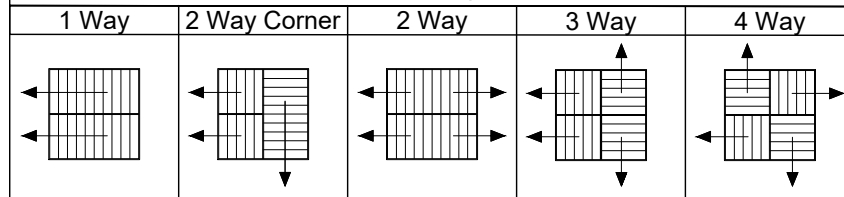
Side View



Face View

Listed Nominal	Largest Size
Face	Neck
24 x 24	14 x 14

Air Pattern Options

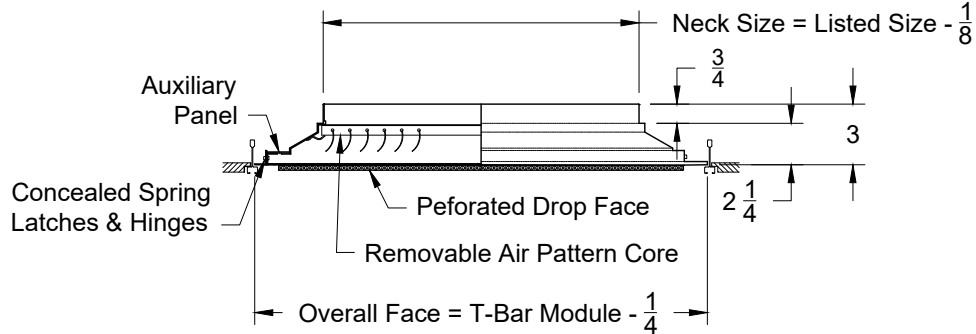


1. Available Finishes	2. Available Accessories	3. Available Options	4. Construction Details
Standard Finish: 01 White Finish 02 Satin Silver 03 Black 22 BBP - Black Backpan - White Face Optional Finish 28 Custom Color	XG-D7 - Steel, Opposed Blade Damper XG-D7A - Aluminum, OBD XG-G3 - Equalizing Grid (Round) XG-L9 - Equalizing Grid (Square/Rect.) XG-TBPF - T-Bar Plaster Frame XG-LIPF - Lay-In Plaster Frame XG-TR - Square to Round Transition XG-TR-Deep - Deep Transition		<ul style="list-style-type: none"> Aluminum Construction Available Core Patterns: (1W, 2W, 2C, (Corner), 3W, 4W)

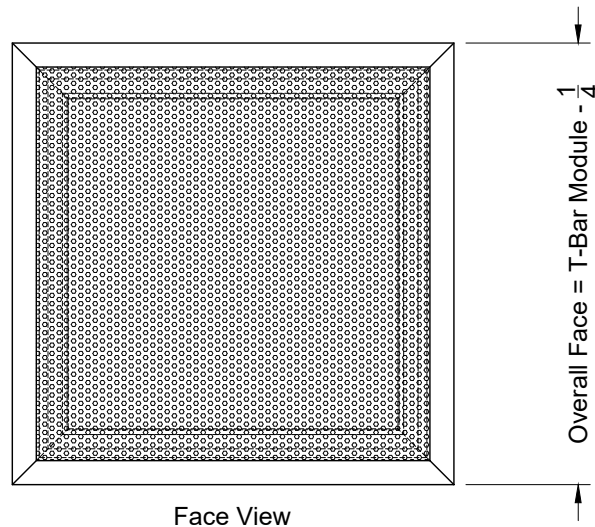
All Dimensions ±1/16"

Model: XG-7000-9 Perforated Face with Pattern Controllers - Bolt Slot/Donn Fineline

XG-7000-9 - Bolt Slot

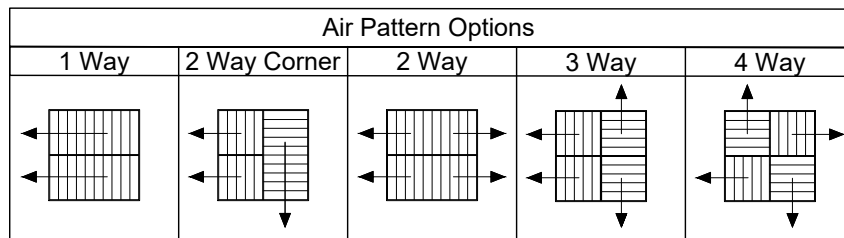


Side View



Listed Nominal	Largest Size
Face	Neck
24 x 24	18 x 18

Face View



1. Available Finishes	2. Available Accessories	3. Available Options	4. Construction Details
Standard Finish: 01 White Finish 02 Satin Silver 03 Black 22 BBP - Black Backpan - White Face Optional Finish 28 Custom Color	XG-D7 - Steel, Opposed Blade Damper XG-D7A - Aluminum, OBD XG-G3 - Equalizing Grid (Round) XG-L9 - Equalizing Grid (Square/Rect.) XG-TBPF - T-Bar Plaster Frame XG-LIPF - Lay-In Plaster Frame XG-TR - Square to Round Transition XG-TR-Deep - Deep Transition		<ul style="list-style-type: none"> Aluminum Construction Available Core Patterns: (1W, 2W, 2C, (Corner), 3W, 4W)

All Dimensions $\pm 1/16$ "