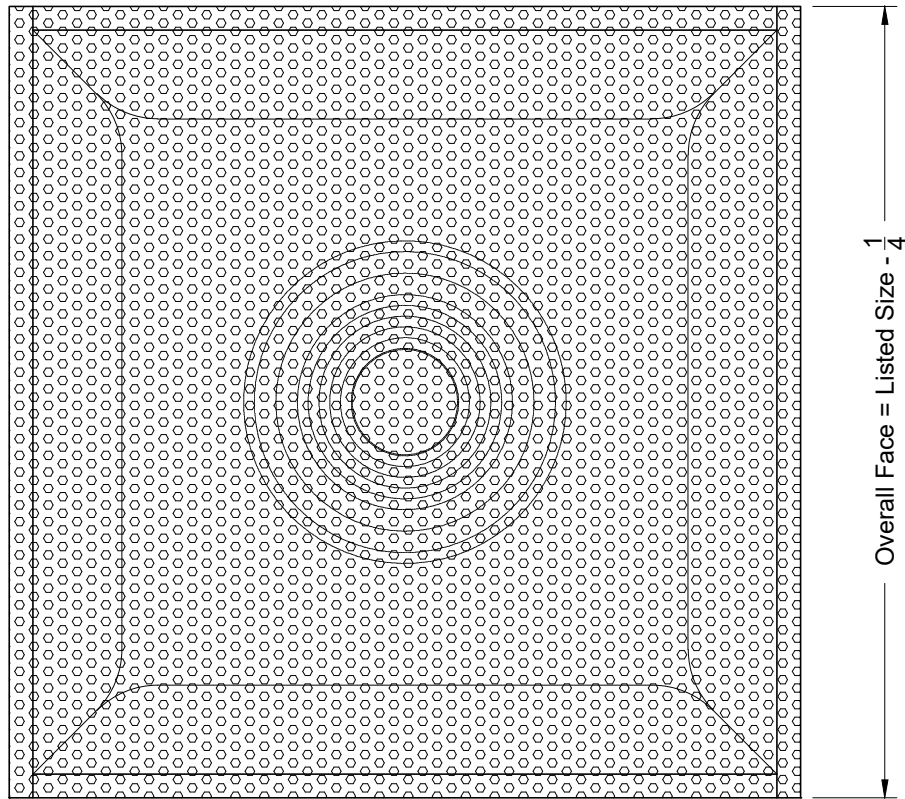
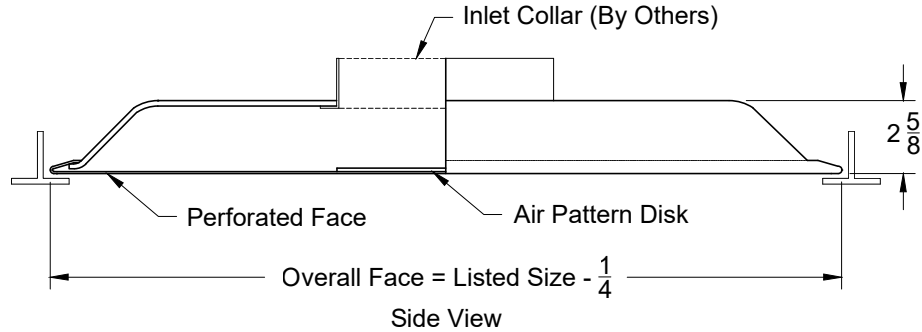


Model: XG-7300-6

Perforated Face with Foil Lined Fiberglass Back - Lay In T-Bar

XG-7300-6 - Lay in T-Bar



Back View

Listed Size Nominal
Face
24 x 24

1. Available Finishes	2. Available Accessories	3. Available Options	4. Construction Details
Standard Finish: 01 White with black dispersion disk and plenum interior.		AF - Aluminum Face	<ul style="list-style-type: none"> Steel Construction (Standard) Sizes Available only as listed Neck is pre-scored to 5, 6, 7, 8, 10, 12, 14 & 15 Face is non-removable

All Dimensions $\pm 1/16$ "