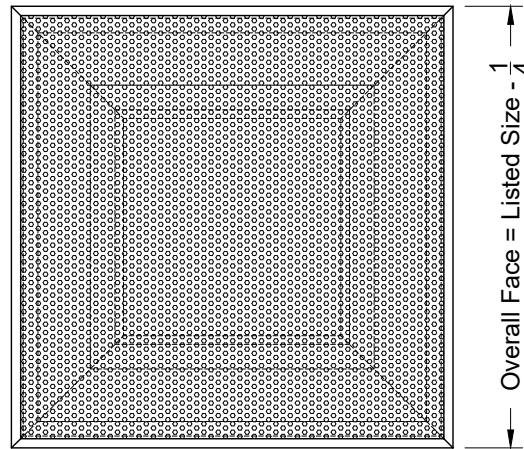
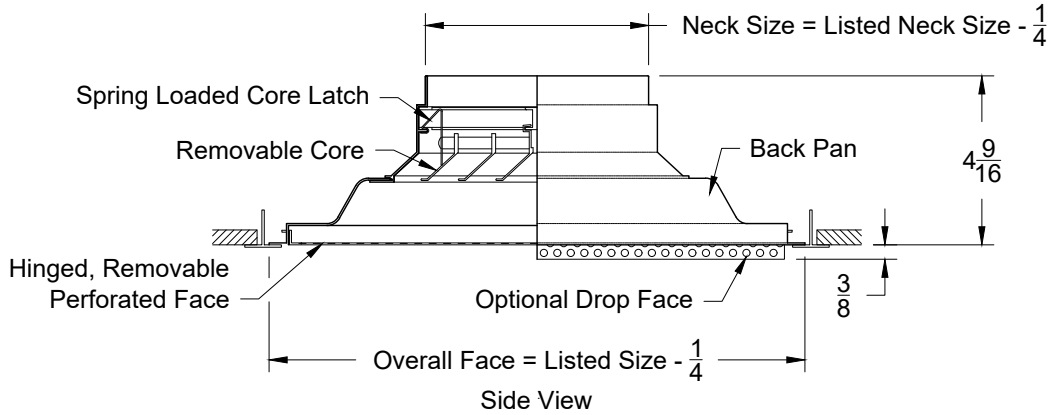


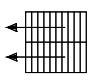
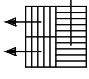
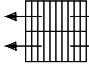
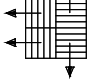
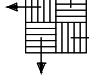
Model: XG-7900-6 Perforated Face - Modular Core - Lay In T-Bar

XG-7900-6 - Lay in T-Bar



Listed Size
Nominal
Face
24 x 24

Neck Size
6 x 6
8 x 8
10 x 10
12 x 12
14 x 14
16 x 16
18 x 18

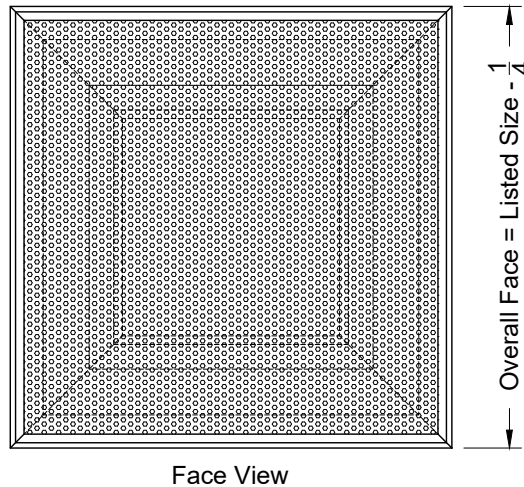
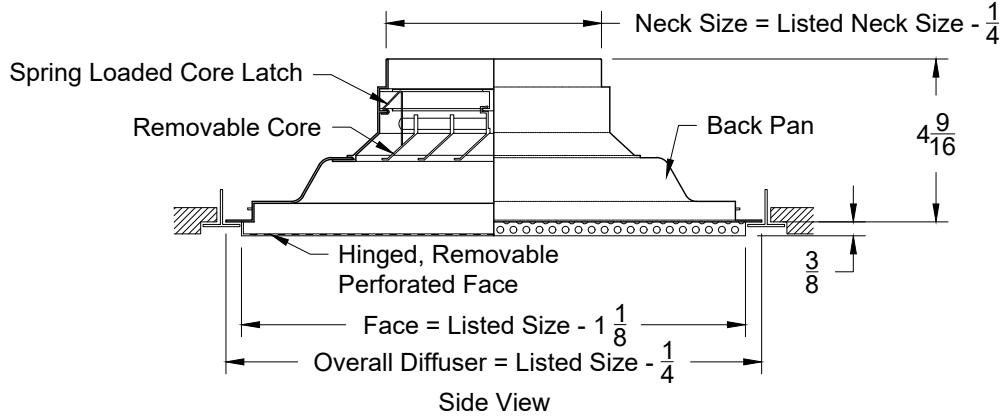
Removable Core	
	4 Core Unit
1-Way (1 Core Unit)	
2 - Way Corner	
2 - Way Opposite	
3-Way	
4-Way	

1. Available Finishes	2. Available Accessories	3. Available Options	4. Construction Details
Standard Finish: 01 White Finish 02 Satin Silver 03 Black 22 BBP - Black Backpan - White Face Optional Finish 28 Custom Color	XG-OBD - Opposed Blade Damper XG-OBDA - OBD Aluminum XG-TBPF - T-Bar Plaster Frame XG-G3 - Equalizing Grid (Round) XG-L9 - Equalizing Grid (Sq./Rect.) XG-TR - Square to Round XG-TR DEEP - Deep Square to Round	Air Pattern S1-1 - 1 Modular Cores S4-4 - 4 Modular Cores	<ul style="list-style-type: none"> Aluminum Construction Sizes Available only as listed Face is Hinged

All Dimensions $\pm 1/16"$

Model: XG-7900-8 Perforated Face - Modular Core - Tegular T-Bar

XG-7900-8 - Tegular T-Bar



Listed Size
Nominal
Face
24 x 24

Neck Size
6 x 6
8 x 8
10 x 10
12 x 12
14 x 14
16 x 16
18 x 18

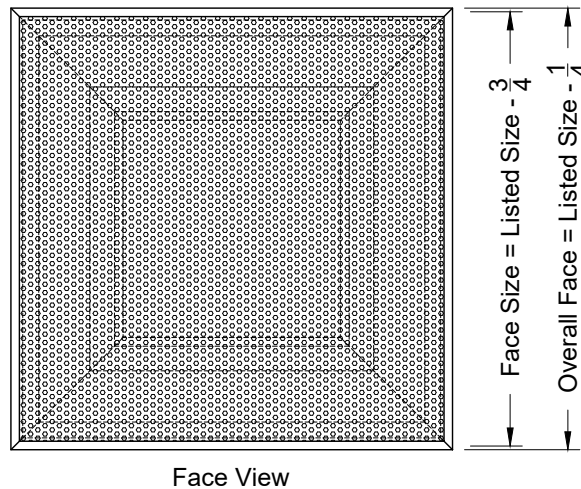
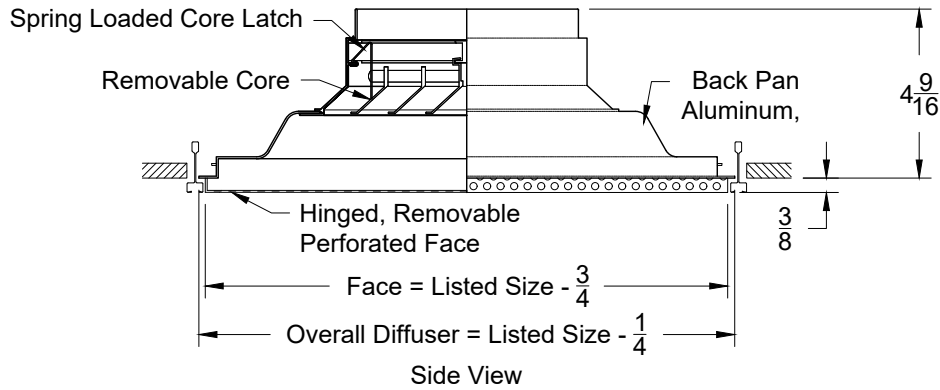
Removable Core	
	4 Core Unit
1-Way (1 Core Unit)	
2 - Way Corner	
2 - Way Opposite	
3-Way	
4-Way	

1. Available Finishes	2. Available Accessories	3. Available Options	4. Construction Details
Standard Finish: 01 White Finish 02 Satin Silver 03 Black 22 BBP - Black Backpan - White Face Optional Finish 28 Custom Color	XG-OBD - Opposed Blade Damper XG-OBDA - OBD Aluminum XG-G3 - Equalizing Grid (Round) XG-L9 - Equalizing Grid (Sq./Rect.) XG-TR - Square to Round XG-TR DEEP - Deep Square to Round	Air Pattern S1-1 - 1 Modular Cores S4-4 - 4 Modular Cores	<ul style="list-style-type: none"> Aluminum Construction Sizes Available only as listed Face is Hinged

All Dimensions $\pm 1/16"$

Model: XG-7900-9 Perforated Face - Modular Core - Bolt Slot Ceiling Grid

XG-7900-9 - Bolt Slot Ceiling Grid



Listed Size
Nominal
Face
24 x 24

Neck Size
6 x 6
8 x 8
10 x 10
12 x 12
14 x 14
16 x 16
18 x 18

Removable Core	
	4 Core Unit
1-Way (1 Core Unit)	
2 - Way Corner	
2 - Way Opposite	
3-Way	
4-Way	

1. Available Finishes	2. Available Accessories	3. Available Options	4. Construction Details
Standard Finish: 01 White Finish 02 Satin Silver 03 Black 22 BBP - Black Backpan - White Face Optional Finish 28 Custom Color	XG-OBD - Opposed Blade Damper XG-OBDA - OBD Aluminum XG-G3 - Equalizing Grid (Round) XG-L9 - Equalizing Grid (Sq./Rect.) XG-TR - Square to Round XG-TR DEEP - Deep Square to Round	Air Pattern S1-1 - 1 Modular Cores S4-4 - 4 Modular Cores	<ul style="list-style-type: none"> Aluminum Construction Sizes Available only as listed Face is Hinged

All Dimensions ±1/16"