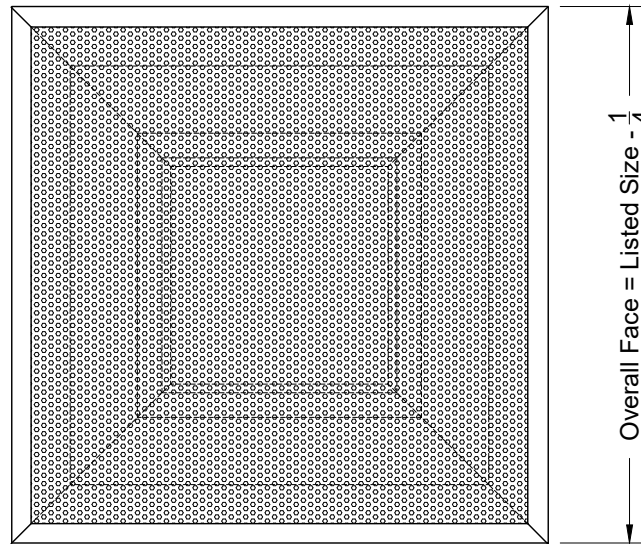
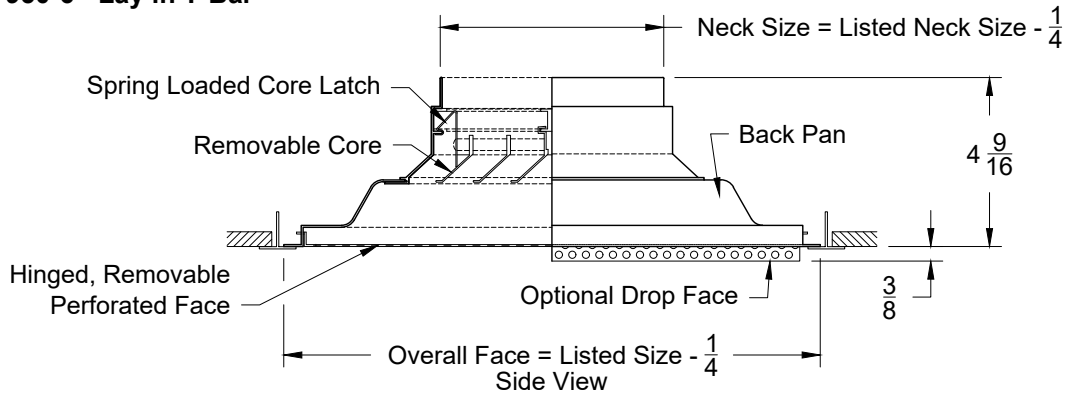


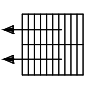
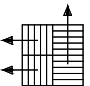
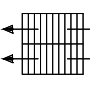
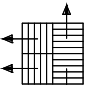
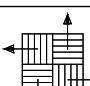
Model: XG-7950-6 Perforated Face - Modular Core - Lay In T-Bar

XG-7950-6 - Lay in T-Bar



Listed Size Nominal
Face
24 x 24

Neck Size
6 x 6
8 x 8
10 x 10
12 x 12
14 x 14
16 x 16
18 x 18

Removable Core	
	4 Core Unit
1-Way (1 Core Unit)	
2 - Way Corner	
2 - Way Opposite	
3-Way	
4-Way	

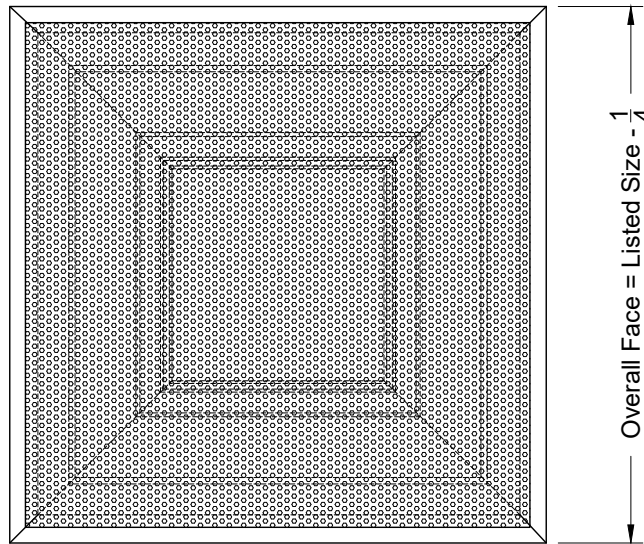
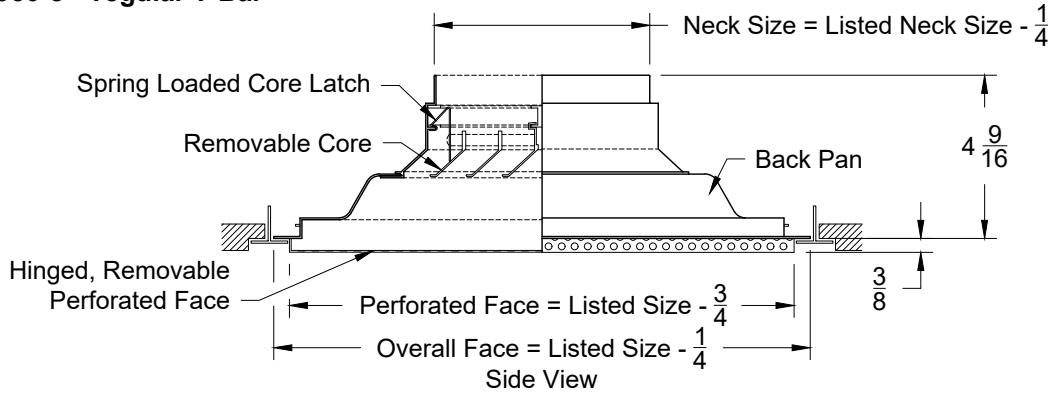
For Simple Direct Job Site Measurements of Supply Air Delivery, Metal Industries Recommends the Use of An Appropriate Sizes, Commercially Available Flow Hood Used In Accordance With The Manufacture's Instructions.

1. Available Finishes	2. Available Accessories	3. Available Options	4. Construction Details
Standard Finish: 01 White Finish 02 Satin Silver 03 Black 22 BBP - Black Backpan - White Face Optional Finish 28 Custom Color	XG-OBD - Opposed Blade Damper XG-OBDA - OBD Aluminum XG-LIPF - Lay-in Plaster Frame XG-G3 - Equalizing Grid (Round) XG-L9 - Equalizing Grid (Sq./Rect.) XG-TR - Square to Round XG-TR DEEP - Deep Square to Round	Air Pattern S4-4 - 4 Modular Cores Face Type AF - Aluminum Face	<ul style="list-style-type: none"> Steel Construction (Standard) Sizes Available only as listed Face is Hinged

All Dimensions $\pm 1/16"$

Model: XG-7950-8 Perforated Face - Modular Core - Tegular T-Bar

XG-7950-8 - Tegular T-Bar



Face View

Listed Size
Nominal
Face
24 x 24

Neck Size
6 x 6
8 x 8
10 x 10
12 x 12
14 x 14
16 x 16
18 x 18

Removable Core	
	4 Core Unit
1-Way (1 Core Unit)	
2 - Way Corner	
2 - Way Opposite	
3-Way	
4-Way	

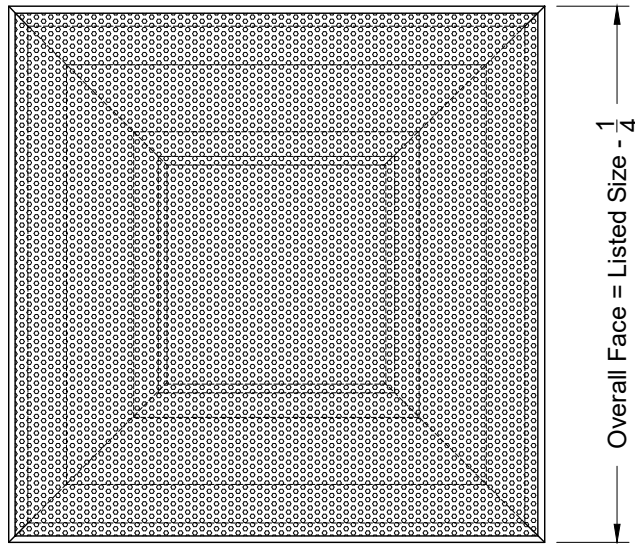
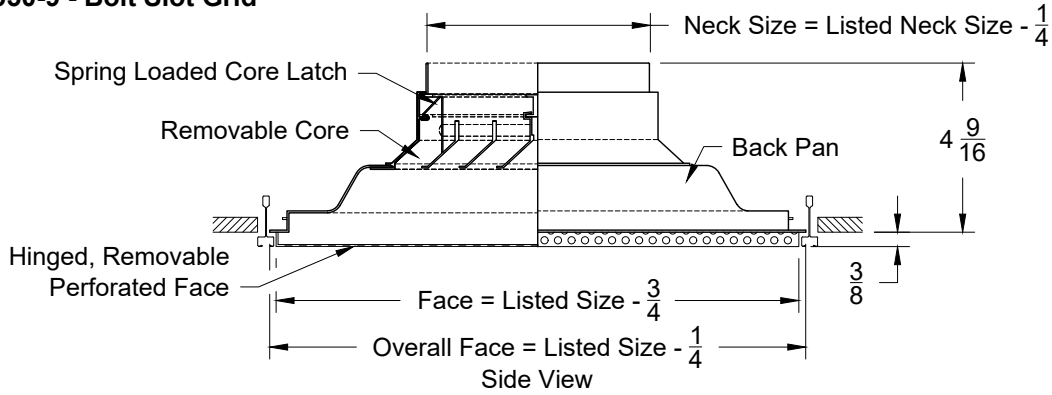
For Simple Direct Job Site Measurements of Supply Air Delivery, Metal Industries Recommends the Use of An Appropriate Sizes, Commercially Available Flow Hood Used In Accordance With The Manufacture's Instructions.

1. Available Finishes	2. Available Accessories	3. Available Options	4. Construction Details
Standard Finish: 01 White Finish 02 Satin Silver 03 Black 22 BBP - Black Backpan - White Face Optional Finish 28 Custom Color	XG-OBD - Opposed Blade Damper XG-OBDA - OBD Aluminum XG-G3 - Equalizing Grid (Round) XG-L9 - Equalizing Grid (Sq./Rect.) XG-TR - Square to Round XG-TR DEEP - Deep Square to Round	Air Pattern S4-4 - 4 Modular Cores Face Type AF - Aluminum Face	<ul style="list-style-type: none"> Steel Construction (Standard) Sizes Available only as listed Face is Hinged

All Dimensions ±1/16"

Model: XG-7950-9 Perforated Face - Modular Core - Bolt Slot Grid

XG-7950-9 - Bolt Slot Grid



Listed Size Nominal
Face
24 x 24

Neck Size
6 x 6
8 x 8
10 x 10
12 x 12
14 x 14
16 x 16
18 x 18

Removable Core	
	4 Core Unit
1-Way (1 Core Unit)	
2 - Way Corner	
2 - Way Opposite	
3-Way	
4-Way	

For Simple Direct Job Site Measurements of Supply Air Delivery, Metal Industries Recommends the Use of An Appropriate Sizes, Commercially Available Flow Hood Used In Accordance With The Manufacture's Instructions.

1. Available Finishes	2. Available Accessories	3. Available Options	4. Construction Details
Standard Finish: 01 White Finish 02 Satin Silver 03 Black 22 BBP - Black Backpan - White Face Optional Finish 28 Custom Color	XG-OBD - Opposed Blade Damper XG-OBDA - OBD Aluminum XG-G3 - Equalizing Grid (Round) XG-L9 - Equalizing Grid (Sq./Rect.) XG-TR - Square to Round XG-TR DEEP - Deep Square to Round	Air Pattern S4-4 - 4 Modular Cores Face Type AF - Aluminum Face	<ul style="list-style-type: none"> Steel Construction (Standard) Sizes Available only as listed Face is Hinged

All Dimensions $\pm 1/16"$