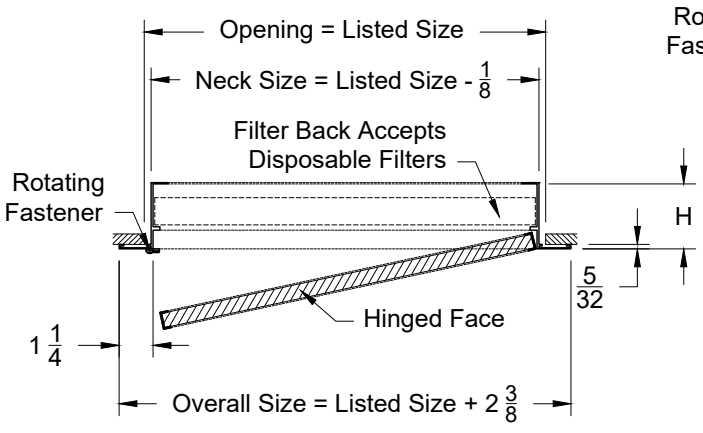
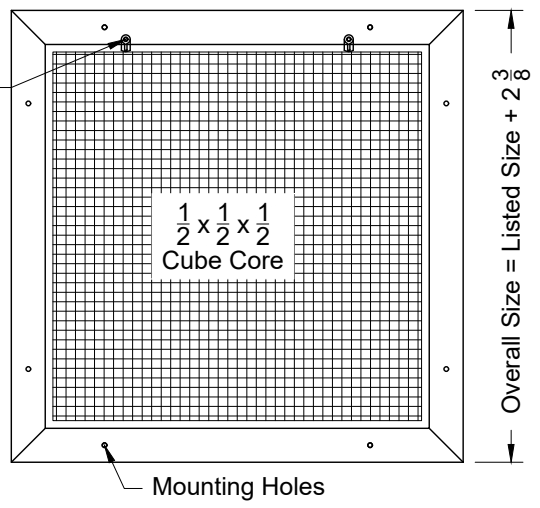


Model: XG-CC45F-1    45° Sight Proof Hinged Cubed Core 1/2" x 1/2" x 1/2" - Flush Surface Mount  
 XG-CC45F-6    45° Sight Proof Hinged Cubed Core 1/2" x 1/2" x 1/2" - T-Bar Lay-In

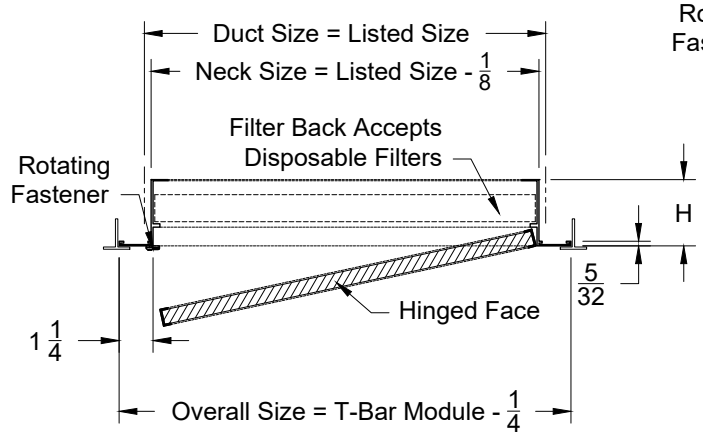
### XG-CC45F-1 - Flush Surface Mount



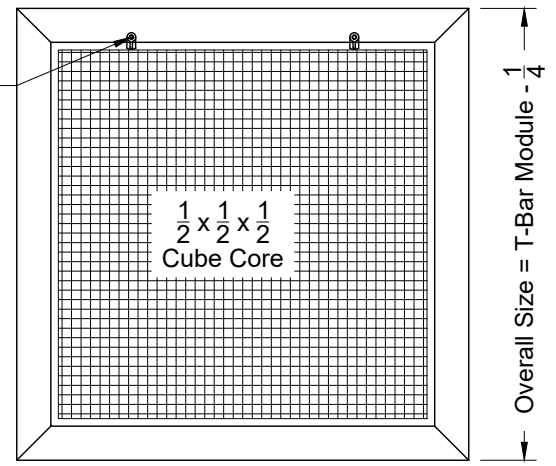
### Face View



### XG-CC45F-6 - T-Bar Lay-In



### Face View



Filter Depth	H
1"	2 7/16"
2"	3 7/16"

Note: This product complies with NFPA 90A-18 standard 4.3.7.3.2 and 4.3.8.3.2 and is constructed with openings through which a 1/2" sphere can not pass.

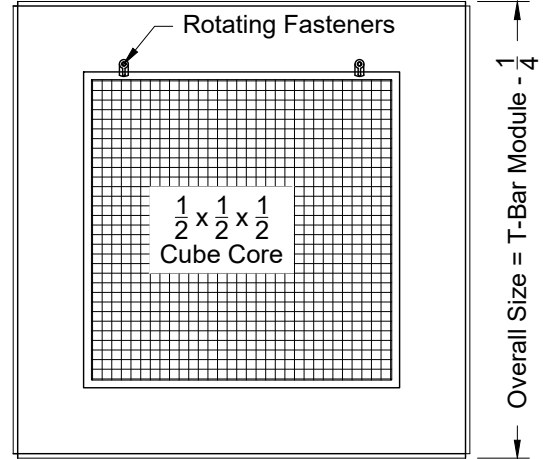
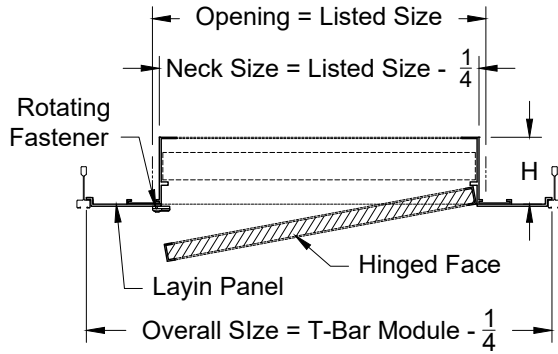
1. Available Finishes	2. Available Accessories	3. Available Options	4. Construction Details
Standard Finish: 01 White Finish 24 Mill Finish Optional Finish 02 Satin Silver 03 Black 28 Custom Color	XG-OBDA - Steel Opposed Blade Damper XG-OBDA - Aluminum OBD XG-L9 - Equalizing Grid XG-PF - Plaster Frame XG-TBPF - T-Bar Plaster Frame XG-TR - Square to Round Transition XG-TR-Deep - Deep Transition XG-LIPF - Lay-In Plaster Frame	XG-IS - Insect Screen XG-NSH - No Screw Holes XG-FGBP - Fiberglass Backpan XG-CM - Concealed Mount XG-1"FF - 1" Filter Frame XG-2"FF - 2" Filter Frame	<ul style="list-style-type: none"> <li>Frames &amp; Cubed Core Face Extruded Aluminum</li> <li>Only Listed Sizes Available</li> <li>Filter Size: Listed size - 1/8"</li> <li>Odd/Fractional Sizes Available</li> </ul>

All Dimensions ±1/16"

Model: XG-CC45F-9      45° Sight Proof Hinged Cubed Core 1/2" x 1/2" x 1/2" - Bolt Slot / Donn Finline Module

### XG-CC45F-9 - Bolt Slot / Donn Finline Module

### Face View



Filter Depth	H
1"	2 7/16"
2"	3 7/16"

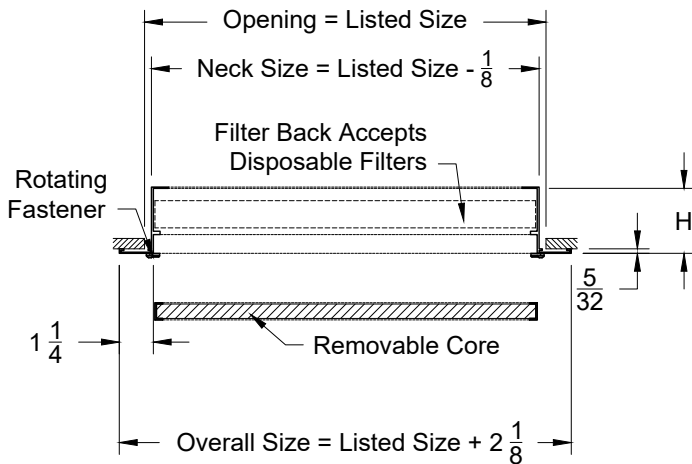
Note: This product complies with NFPA 90A-18 standard 4.3.7.3.2 and 4.3.8.3.2 and is constructed with openings through which a 1/2" sphere can not pass.

1. Available Finishes	2. Available Accessories	3. Available Options	4. Construction Details
Standard Finish: 01 White Finish 24 Mill Finish Optional Finish 02 Satin Silver 03 Black 28 Custom Color	XG-OBD - Steel Opposed Blade Damper XG-OBDA - Aluminum OBD XG-L9 - Equalizing Grid XG-PF - Plaster Frame XG-TBPF - T-Bar Plaster Frame XG-TR - Square to Round Transition XG-TR-Deep - Deep Transition XG-LIPF - Lay-In Plaster Frame	XG-IS - Insect Screen XG-NSH - No Screw Holes XG-FGBP - Fiberglass Backpan XG-CM - Concealed Mount XG-1"FF - 1" Filter Frame XG-2"FF - 2" Filter Frame	<ul style="list-style-type: none"> <li>• Frames &amp; Cubed Core Face Extruded Aluminum</li> <li>• Only Listed Sizes Available</li> <li>• Filter Size: Listed size - 1/8"</li> <li>• Odd/Fractional Sizes Available</li> </ul>

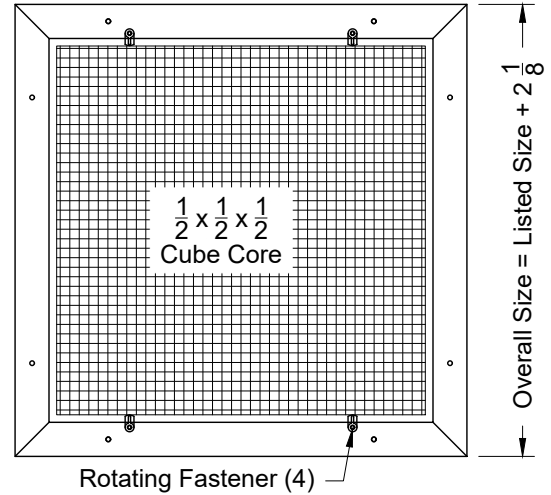
All Dimensions ±1/16"

Model: XG-CC45F-RC-1 45° Sight Proof Removable Cube Core 1/2" x 1/2" x 1/2" - Flush Surface Mount  
 XG-CC45F-RC-6 45° Sight Proof Removable Cube Core 1/2" x 1/2" x 1/2" - T-Bar Lay-In

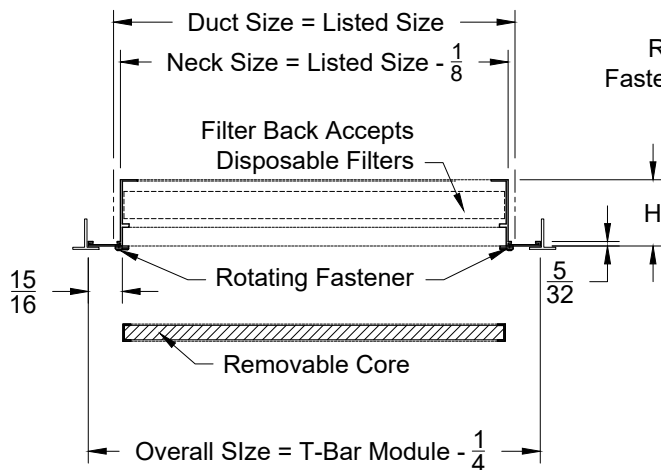
### XG-CC45F-RC-1 - Flush Surface Mount



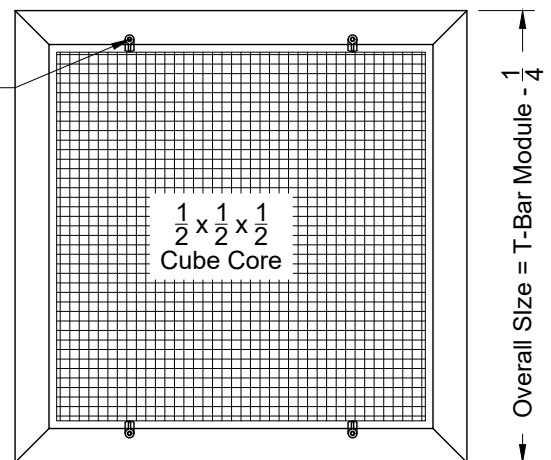
### Face View



### XG-CC45F-RC-6 - T-Bar Lay-In



### Face View



Filter Depth	H
1"	2 7/16"
2"	3 7/16"

Note: This product complies with NFPA 90A-18 standard 4.3.7.3.2 and 4.3.8.3.2 and is constructed with openings through which a 1/2" sphere can not pass.

1. Available Finishes	2. Available Accessories	3. Available Options	4. Construction Details
Standard Finish: 01 White Finish 24 Mill Finish Optional Finish 02 Satin Silver 03 Black 28 Custom Color	XG-OBDA - Steel Opposed Blade Damper XG-OBDA - Aluminum OBD XG-L9 - Equalizing Grid XG-PF - Plaster Frame XG-TBPF - T-Bar Plaster Frame XG-TR - Square to Round Transition XG-TR-Deep - Deep Transition XG-LIPF - Lay-In Plaster Frame	XG-IS - Insect Screen XG-NSH - No Screw Holes XG-FGBP - Fiberglass Backpan XG-CM - Concealed Mount XG-1"FF - 1" Filter Frame XG-2"FF - 2" Filter Frame	<ul style="list-style-type: none"> <li>Frames &amp; Cubed Core Face Extruded Aluminum</li> <li>Only Listed Sizes Available</li> <li>Filter Size: Listed size - 1/8"</li> <li>Odd/Fractional Sizes Available</li> </ul>

All Dimensions ±1/16"