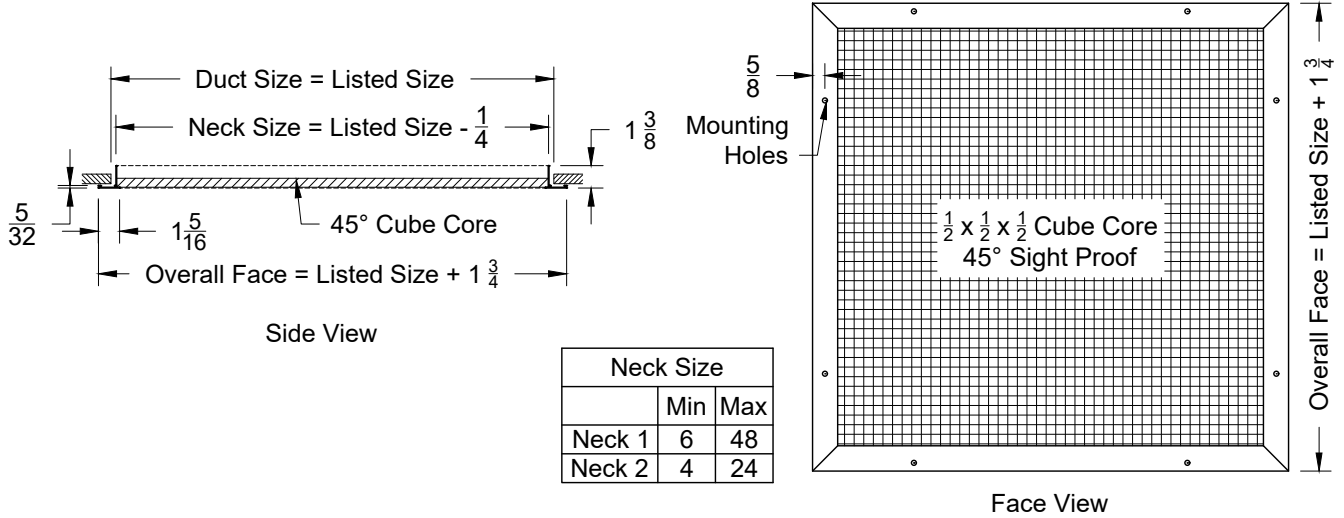
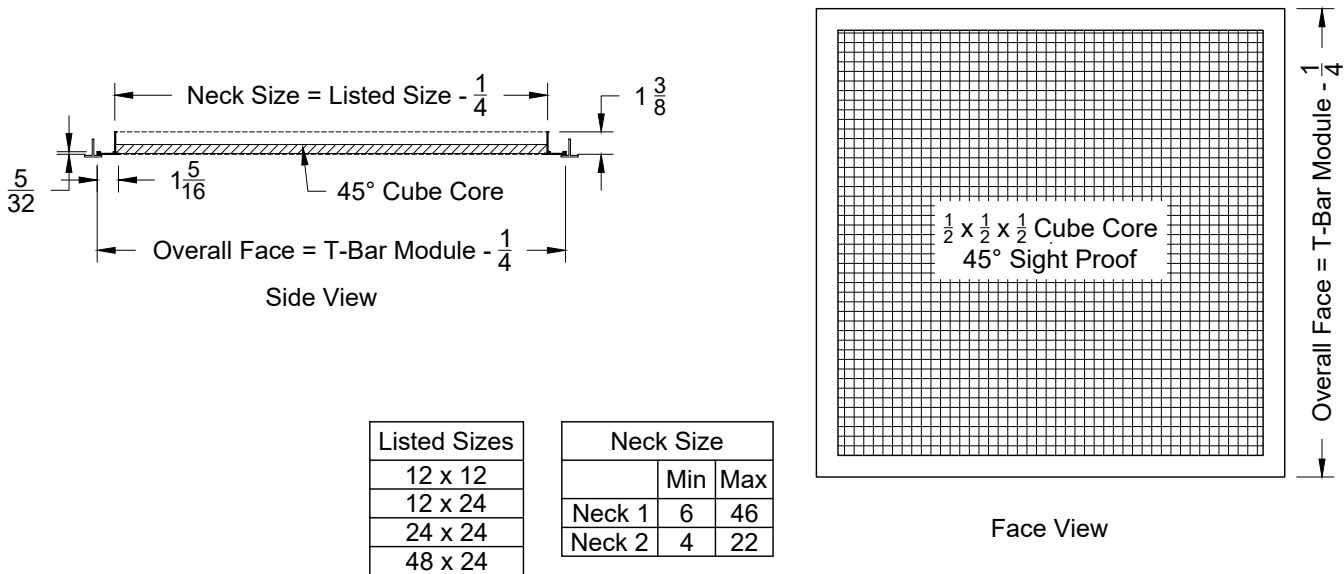


Model: XG-CC45-1      45° Cubed Core 1/2"x1/2"x1/2" - Flush Surface Mount  
 XG-CC45-6      45° Cubed Core 1/2"x1/2"x1/2" - T-Bar Lay-In

#### XG-CC45-1 - Flush Surface Mount



#### XG-CC45-6 - T-Bar Lay-In



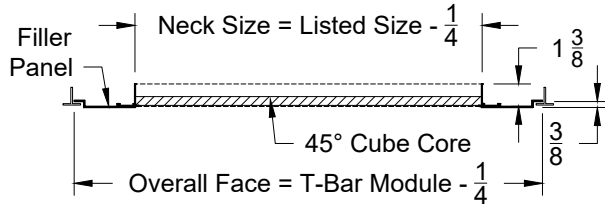
Note: This product complies with NFPA 90A-18 standard 4.3.7.3.2 and 4.3.8.3.2 and is constructed with openings through which a 1/2" sphere can not pass.

1. Available Finishes	2. Available Accessories	3. Available Options	4. Construction Details
Standard Finish: 01 White Finish 24 Mill Finish Optional Finish 02 Satin Silver 03 Black 28 Custom Color	XG-OBD - Steel Opposed Blade Damper XG-OBDA - Aluminum OBD XG-L9 - Equalizing Grid XG-PF - Plaster Frame XG-TBPF - T-Bar Plaster Frame XG-TR - Square to Round Transition XG-TR-Deep - Deep Transition XG-LIPF - Lay-In Plaster Frame	IS - Insect Screen NSH - No Screw Holes CM - Concealed Mount	<ul style="list-style-type: none"> <li>Extruded Aluminum Construction</li> <li>Largest single section is 48x48</li> </ul>

All Dimensions ±1/16"

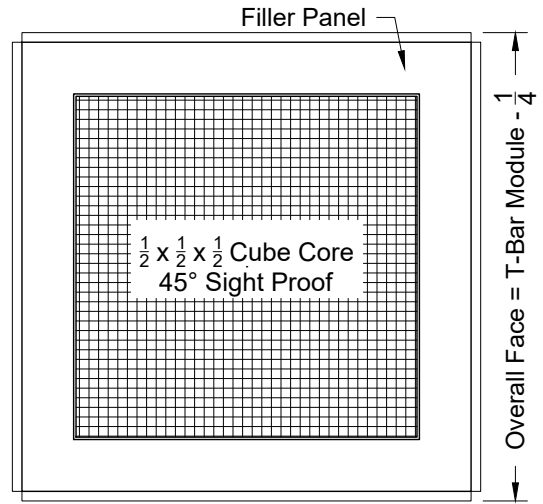
Model: XG-CC45-8      45° Cubed Core 1/2"x1/2"x1/2" - Tegar Module  
 XG-CC45-9      45° Cubed Core 1/2"x1/2"x1/2" - Bolt Slot / Donn Finline Module

### XG-CC45-8 - Tegar Module



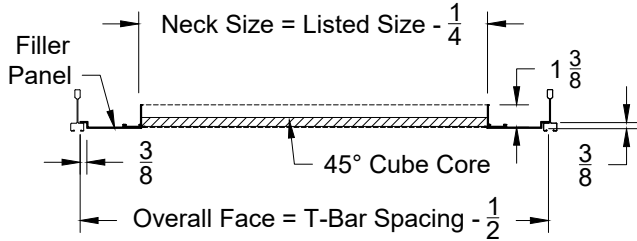
Side View

Listed Sizes	Neck Size	
	Min	Max
12 x 12		
12 x 24		
24 x 24		
	Neck 1	46
	Neck 2	22



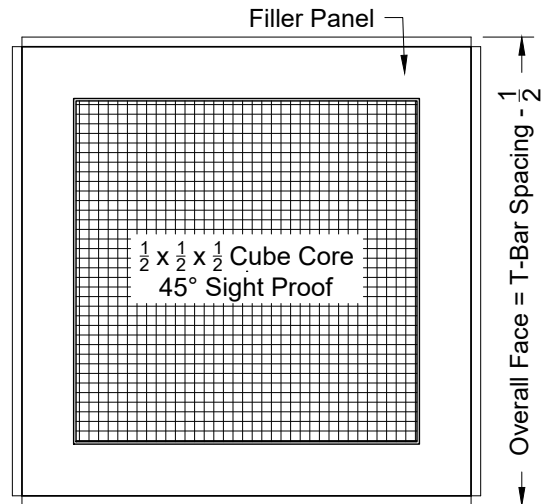
Face View

### XG-CC45-9 - Bolt Slot / Donn Finline Module



Side View

Listed Sizes	Neck Size	
	Min	Max
12 x 12		
12 x 24		
24 x 24		
	Neck 1	46
	Neck 2	22



Face View

Note: This product complies with NFPA 90A-18 standard 4.3.7.3.2 and 4.3.8.3.2 and is constructed with openings through which a 1/2" sphere can not pass.

1. Available Finishes	2. Available Accessories	3. Available Options	4. Construction Details
Standard Finish: 01 White Finish 24 Mill Finish Optional Finish 02 Satin Silver 03 Black 28 Custom Color	XG-OBDA - Steel Opposed Blade Damper XG-OBDA - Aluminum OBD XG-L9 - Equalizing Grid XG-PF - Plaster Frame XG-TBPF - T-Bar Plaster Frame XG-TR - Square to Round Transition XG-TR-Deep - Deep Transition XG-LIPF - Lay-In Plaster Frame	IS - Insect Screen NSH - No Screw Holes CM - Concealed Mount	<ul style="list-style-type: none"> <li>Extruded Aluminum Construction</li> <li>Largest single section is 48x48</li> </ul>
All Dimensions ±1/16"			