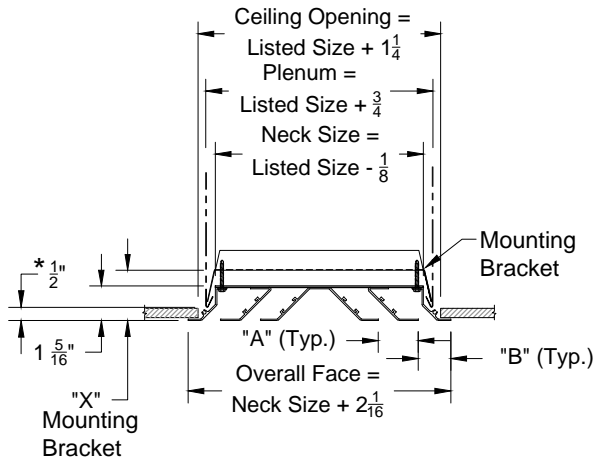


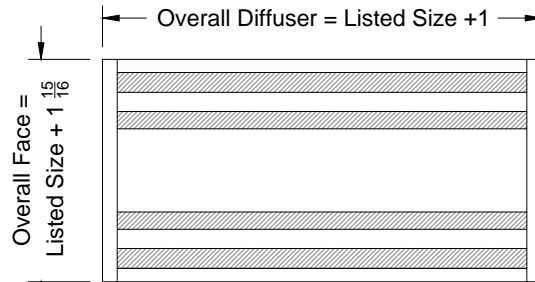
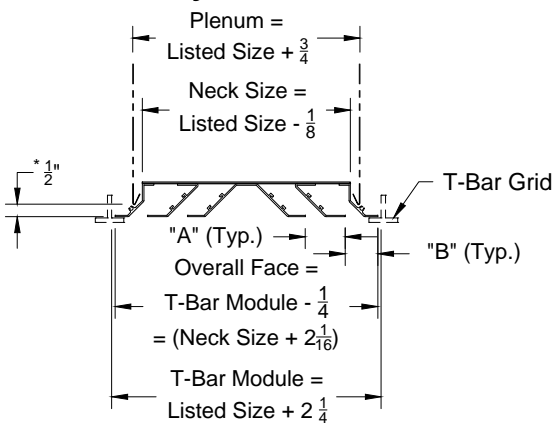
**Directional Louver Face Linear Diffuser
Extruded Aluminum**

Models: **XG-LFL-2W-1** Surface Mounting - 2-Way Air Pattern Controller
XG-LFL-2W-6 Lay In T-Bar Mounting - 2-Way Air Pattern Controller

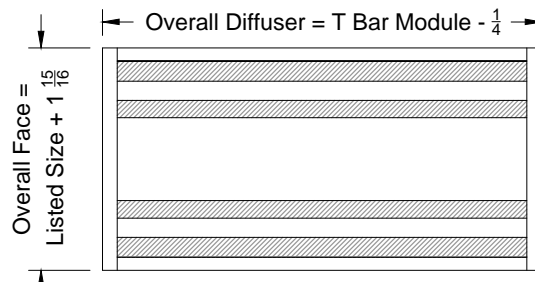
Model: XG-LFL-2W-1, Surface Mount, With 2 way Air Pattern



Model: XG-LFL-2W-6, Lay In T-Bar Mount, With 2 Way Air Pattern



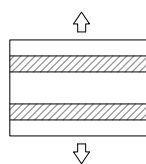
-1: Face - Surface Mount



-6: Face - Lay-In T-Bar

Listed Size (Available Widths)	6	9	12
Neck Size	5-7/8	8-7/8	11-7/8
Overall Face Width	8	11	14
Blade Spacing "A"	-	1 3/4	1 11/16
End Spacing "B"	1 3/4	1 1/2	1 7/16
"X" Height - W/O - Damper	2	2	2
"X" Height - With - Damper	3 1/2	3 1/2	3 1/2

2-Way



* Dimension indicates the distance needed for Clearance from the bottom of the duct to the ceiling line and must be maintained for proper fit.

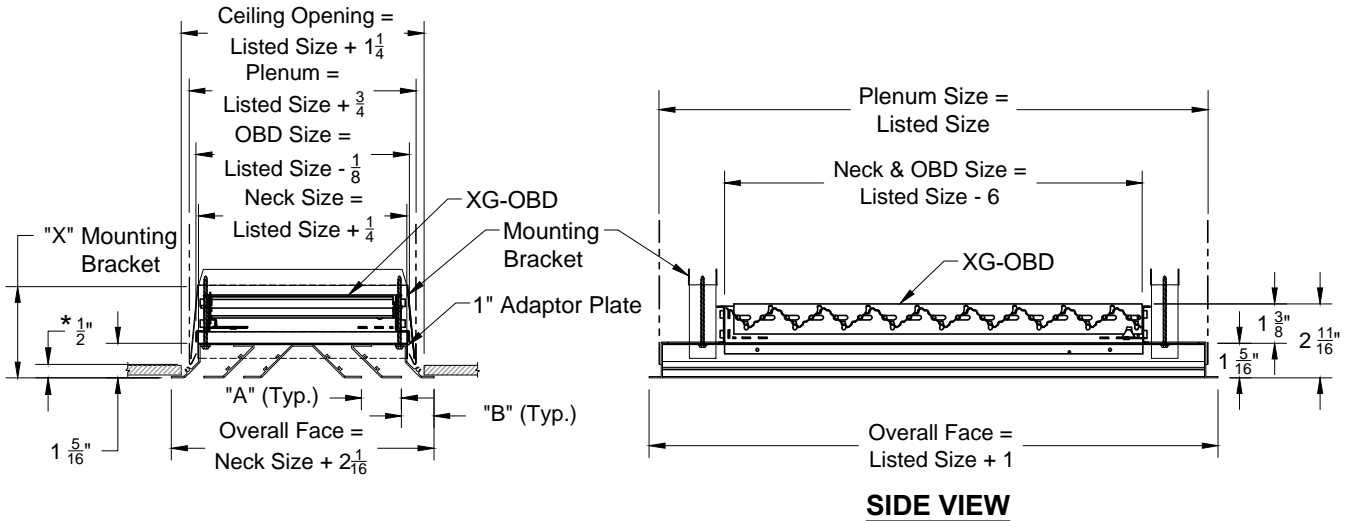
Notes: (check if provided)

1. Available Finishes	2. Available Accessories	3. Available Options	4. Construction Details
Standard Finish: 01 White. Optional Finish (no extra charge): 24 Mill finish. Optional Finish (extra charge): 02 Satin Silver 03 Black. 28 Custom Color / Setup	Square and Rectangular Neck: XG-D5 - Steel Opposed Blade Damper XG-D5A - Aluminum Opposed Blade Damper.		<ul style="list-style-type: none"> • Neck Sizes only as listed. • Longest Length 72" Single Section • Continuous Runs in Multiple Sections.

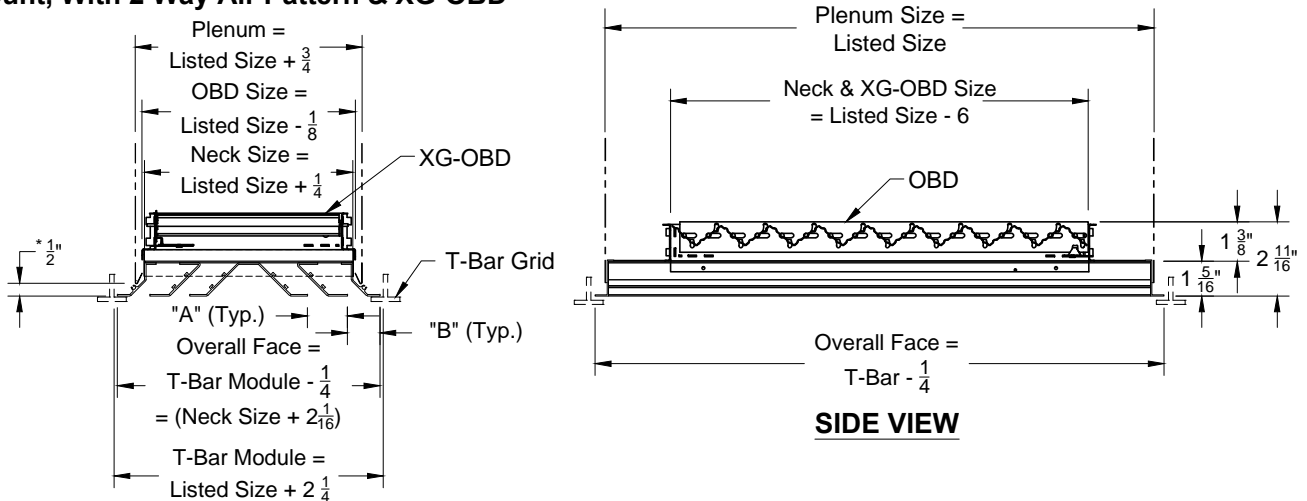
**Directional Louver Face Linear Diffuser
Extruded Aluminum - With OBD**

Models: **XG-LFL-2W-1-OBD** Surface (Concealed) Mounting - 2-Way Air Pattern Controller - With XG-OBD
XG-LFL-2W-6-OBD Lay In T-Bar Mounting - 2-Way Air Pattern Controller - With XG-OBD

Model: XG-LFL-2W-1, Concealed Mount, With 2 way Air Pattern



Model: XG-LFL-2W-6, Lay In T-Bar Mount, With 2 Way Air Pattern & XG-OBD



Notes: (check if provided)

1. Available Finishes	2. Available Accessories	3. Available Options	4. Construction Details
Standard Finish: 01 White. Optional Finish (no extra charge): 24 Mill finish. Optional Finish(extra charge): 02 Satin Silver 03 Black. 28 Custom Color / Setup	Square and Rectangular Neck: XG-D5 - Steel Opposed Blade Damper XG-D5A - Aluminum Opposed Blade Damper.		<ul style="list-style-type: none"> • Neck Sizes only as listed. • Longest Length 72" Single Section • Continuous Runs in Multiple Sections.