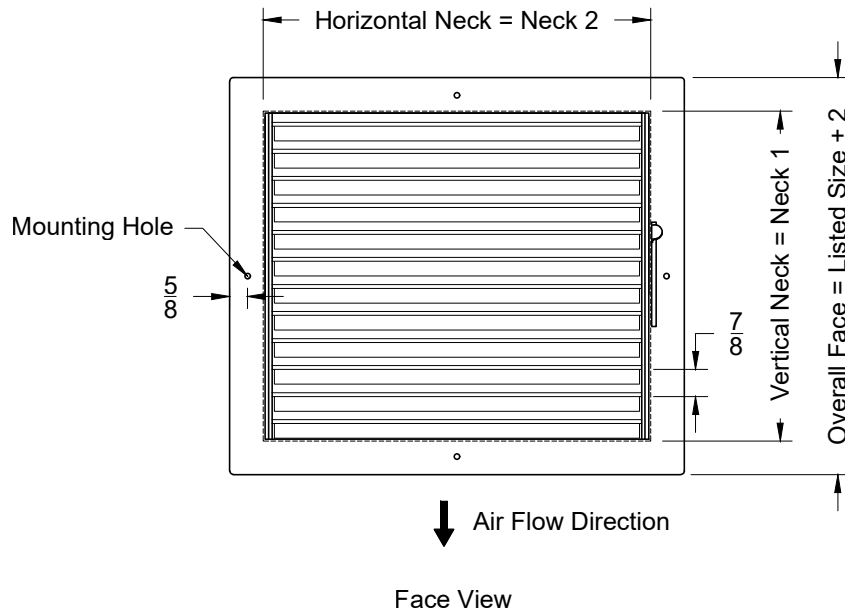
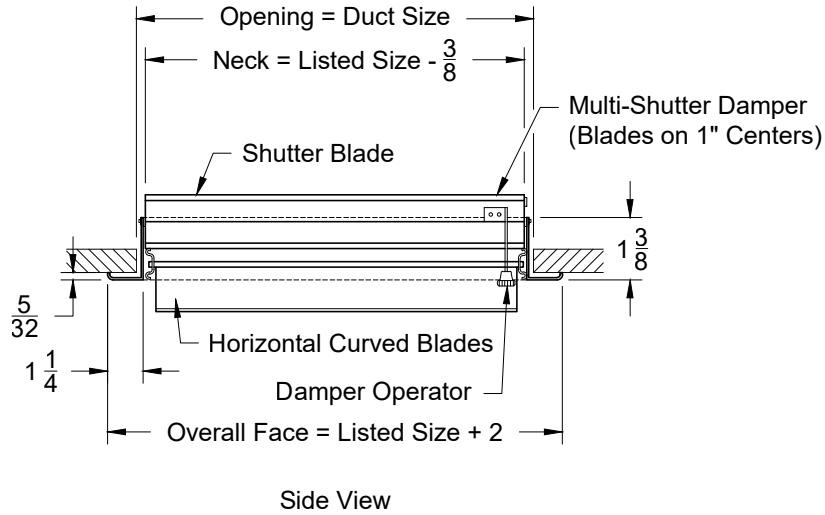


Model: XG-LM-1

One Way Blow Pattern - Long Blades with Multi-Shutter Damper - Flush Surface Mount

XG-LM-1 - Flush Surface Mount



Standard Square Neck Sizes	
Neck 1	Neck 2
6	x 6
8	x 8
10	x 10
12	x 12
14	x 14

Rectangular Neck Sizes Available	
Min	Max
4	24

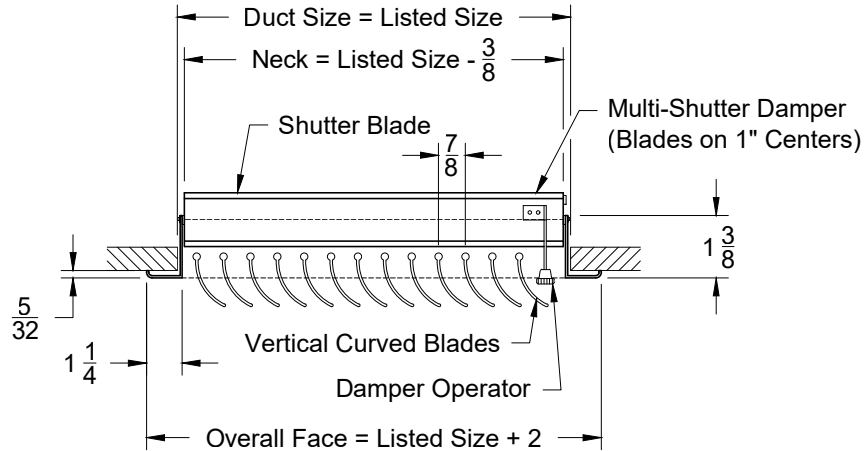
1. Available Finishes	2. Available Accessories	3. Available Options	4. Construction Details
Standard Finish: 01 White Optional Finish: 24 Mill Finish Optional Finish: 02 Satin Silver 03 Black 28 Custom Color	XG-PF - Plaster Frame XG-TBPF - T-Bar Plaster Frame XG-NSH - No Screw Holes XG-LIPF - Lay-In Plaster Frame		<ul style="list-style-type: none"> Aluminum construction Curved Adjustable Blades

All Dimensions $\pm 1/16"$

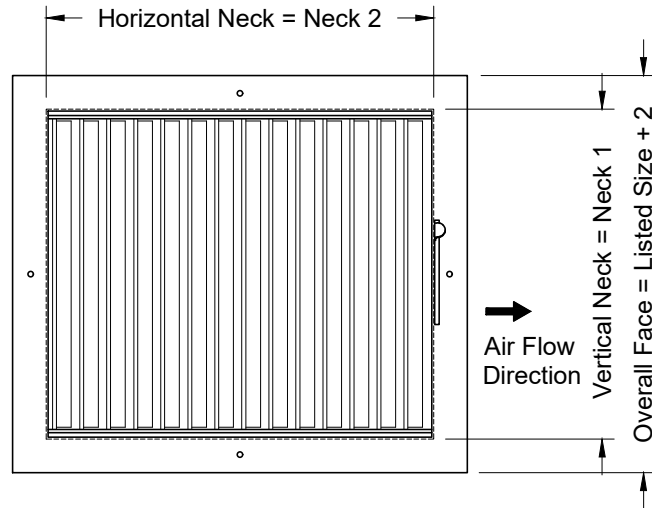
Model: XG-SM-1

One Way Blow Pattern - Short Blades with Multi-Shutter Damper - Flush Surface Mount

XG-SM-1 - Flush Surface Mount



Side View



Face View

Standard Square Neck Sizes	
Neck 1	Neck 2
6	x 6
8	x 8
10	x 10
12	x 12
14	x 14

Rectangular Neck Sizes Available	
Min	Max
4	24

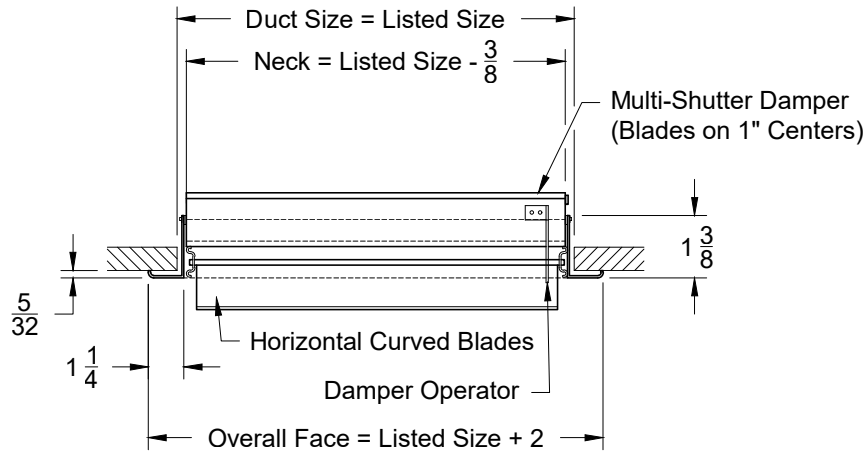
1. Available Finishes	2. Available Accessories	3. Available Options	4. Construction Details
Standard Finish: 01 White Optional Finish: 24 Mill Finish Optional Finish: 02 Satin Silver 03 Black 28 Custom Color	XG-PF - Plaster Frame XG-TBPF - T-Bar Plaster Frame XG-NSH - No Screw Holes XG-LIPF - Lay-In Plaster Frame		<ul style="list-style-type: none"> Aluminum construction Curved Adjustable Blades

All Dimensions ±1/16"

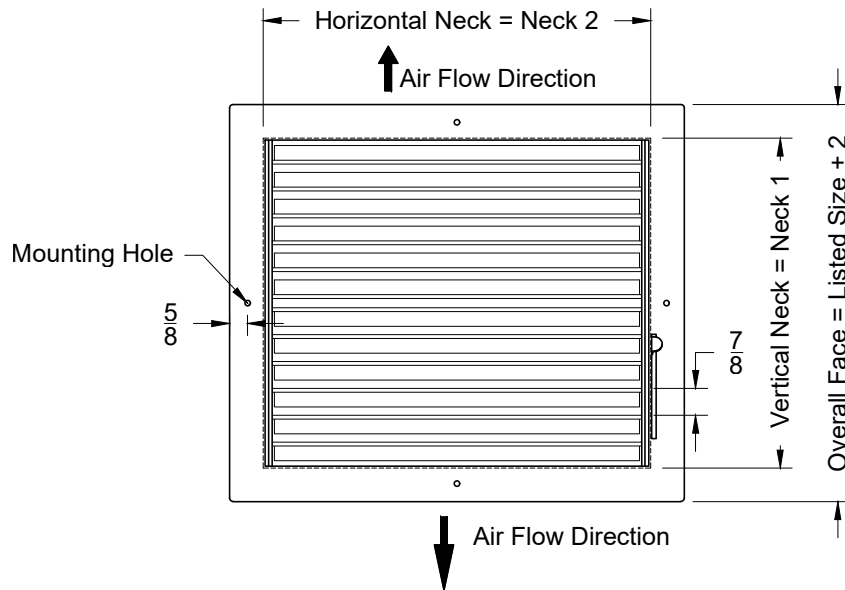
Model: XG-LTM-1

Two Way Blow Pattern - Long Blades with Multi-Shutter Damper - Flush Surface Mount

XG-LTM-1 - Flush Surface Mount



Side View



Face View

Standard Square Neck Sizes	
Neck 1	Neck 2
6	x 6
8	x 8
10	x 10
12	x 12
14	x 14

Rectangular Neck Sizes Available	
Min	Max
4	24

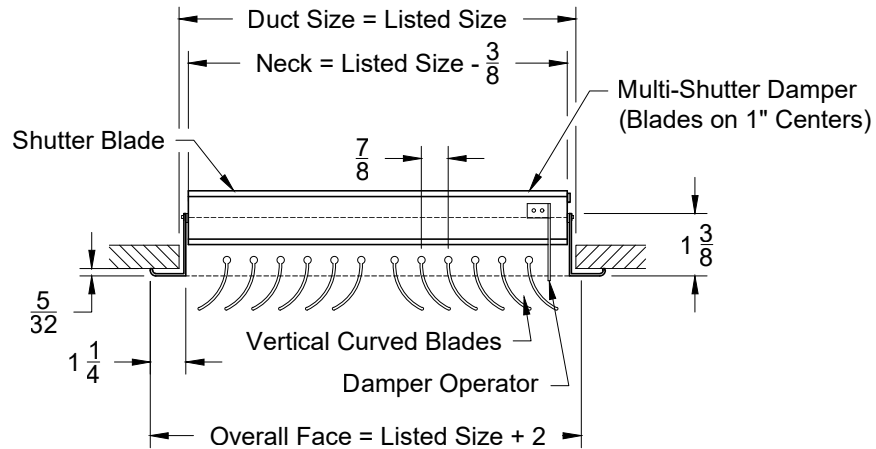
1. Available Finishes	2. Available Accessories	3. Available Options	4. Construction Details
Standard Finish: 01 White Optional Finish: 24 Mill Finish Optional Finish: 02 Satin Silver 03 Black 28 Custom Color	XG-PF - Plaster Frame XG-TBPF - T-Bar Plaster Frame XG-NSH - No Screw Holes XG-LIPF - Lay-In Plaster Frame		<ul style="list-style-type: none"> Aluminum construction Curved Adjustable Blades

All Dimensions $\pm 1/16"$

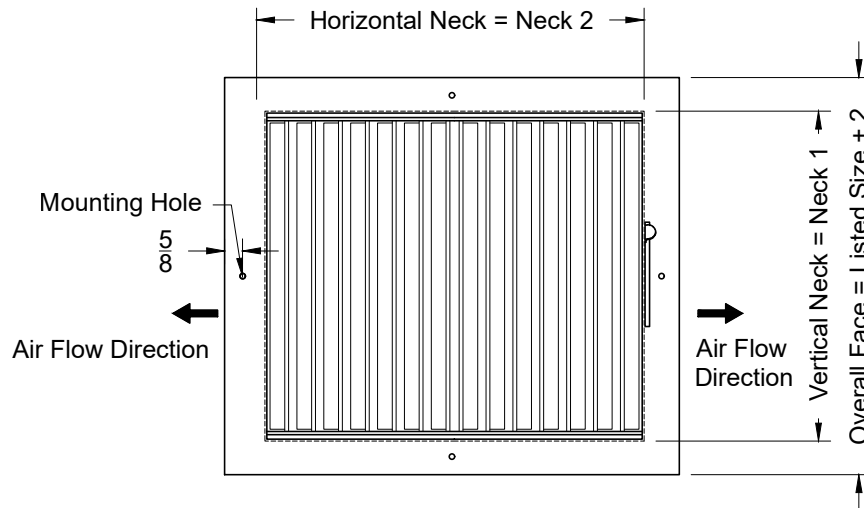
Model: XG-STM-1

Two Way Blow Pattern - Short Blades with Multi-Shutter Damper - Flush Surface Mount

XG-STM-1 - Flush Surface Mount



Side View



Face View

Standard Square Neck Sizes	
Neck 1	Neck 2
6	x 6
8	x 8
10	x 10
12	x 12
14	x 14

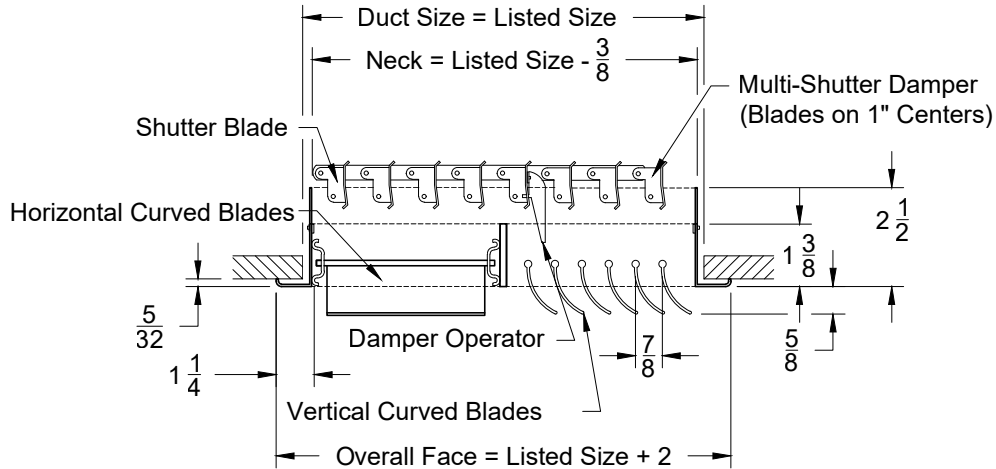
Rectangular Neck Sizes Available	
Min	Max
4	24

1. Available Finishes	2. Available Accessories	3. Available Options	4. Construction Details
Standard Finish: 01 White Optional Finish: 24 Mill Finish Optional Finish: 02 Satin Silver 03 Black 28 Custom Color	XG-PF - Plaster Frame XG-TBPF - T-Bar Plaster Frame XG-NSH - No Screw Holes XG-LIPF - Lay-In Plaster Frame		<ul style="list-style-type: none"> Aluminum construction Curved Adjustable Blades

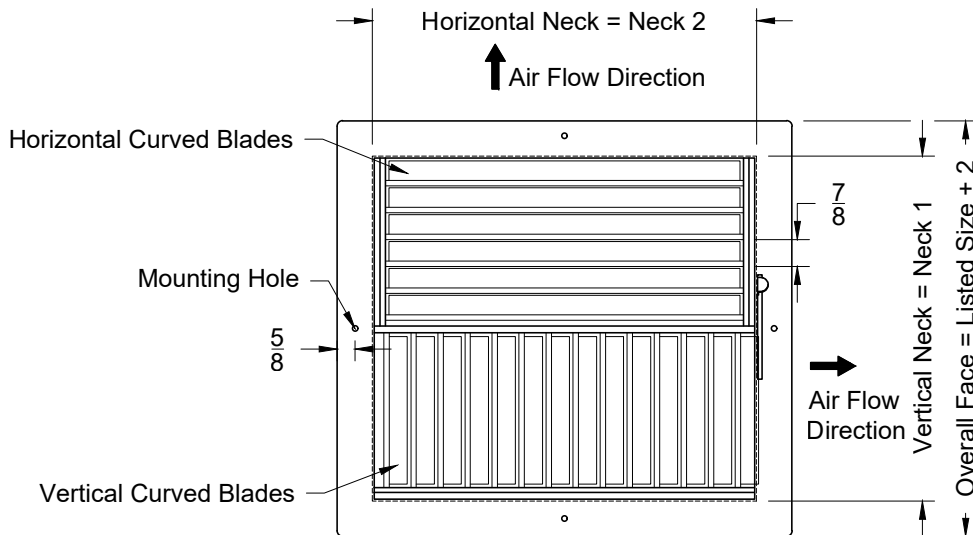
All Dimensions ±1/16"

Model: XG-LTCM-1 Two Way Blow Pattern with Multi-Shutter Damper - Flush Surface Mount

XG-LTCM-1 - Flush Surface Mount



Side View



Face View

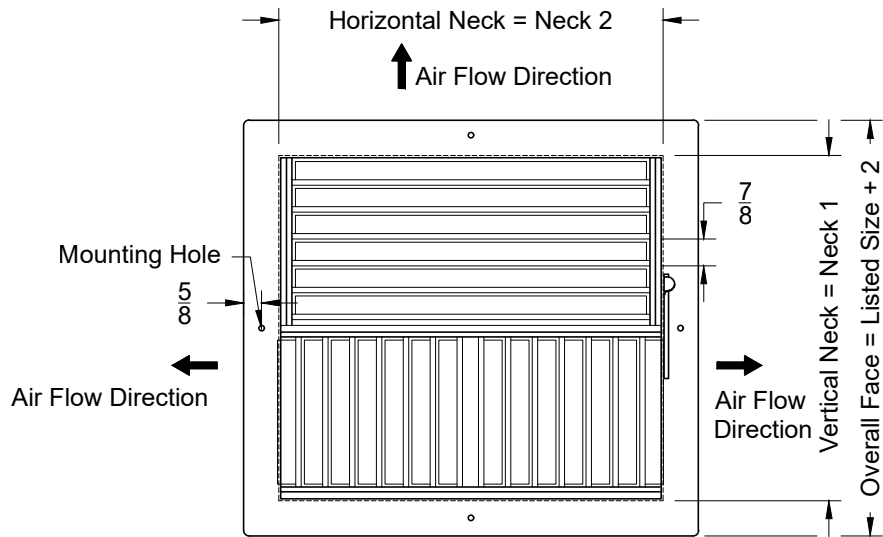
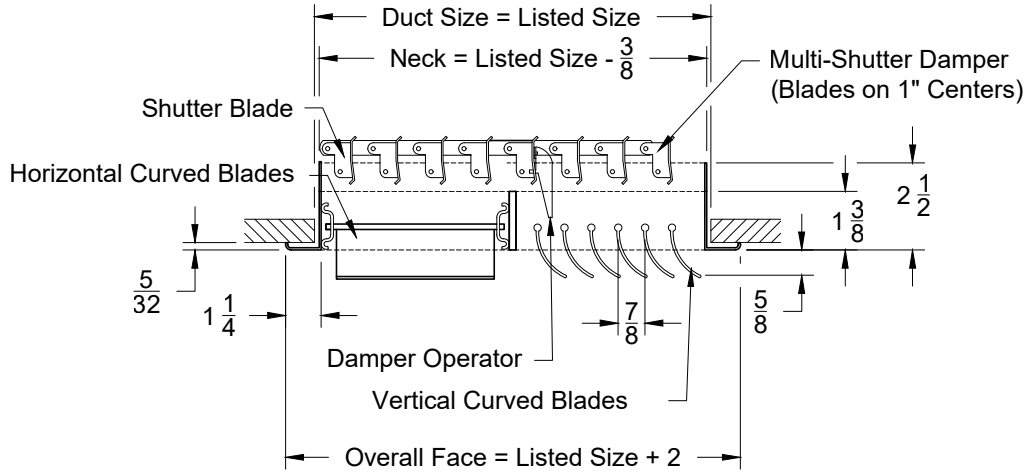
Standard Square Neck Sizes		
Neck 1		Neck 2
6	x	6
8	x	8
10	x	10
12	x	12
14	x	14

1. Available Finishes	2. Available Accessories	3. Available Options	4. Construction Details
Standard Finish: 01 White Optional Finish: 24 Mill Finish Optional Finish: 02 Satin Silver 03 Black 28 Custom Color	XG-PF - Plaster Frame XG-TBPF - T-Bar Plaster Frame XG-NSH - No Screw Holes XG-LIPF - Lay-In Plaster Frame		<ul style="list-style-type: none"> Aluminum construction Curved Adjustable Blades

All Dimensions $\pm 1/16"$

Model: XG-LTC3M-1 Three Way Blow Pattern with Multi-Shutter Damper - Flush Surface Mount

XG-LTC3M-1 - Flush Surface Mount



Standard Square Neck Sizes	
Neck 1	Neck 2
6	x 6
8	x 8
10	x 10
12	x 12
14	x 14

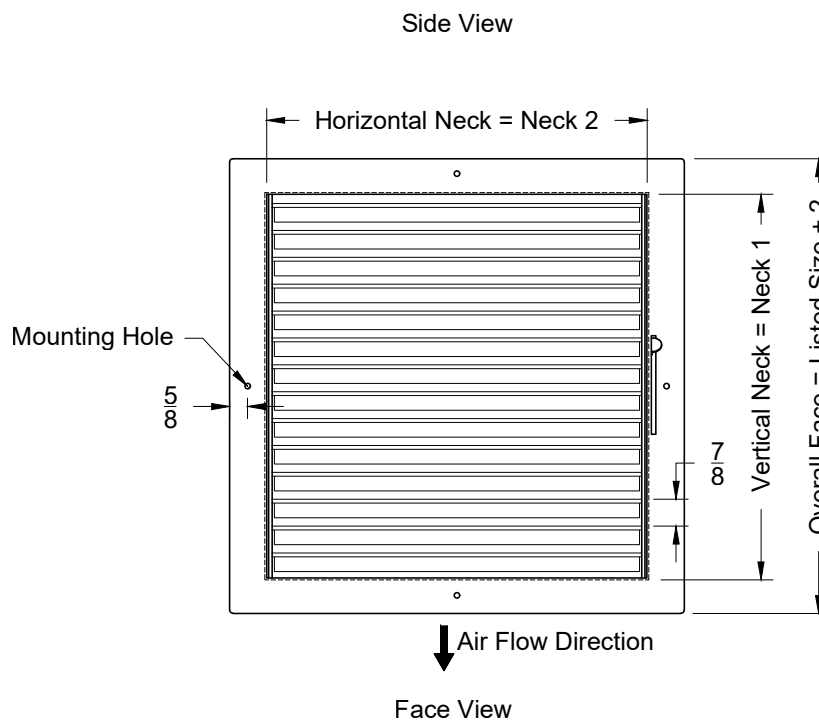
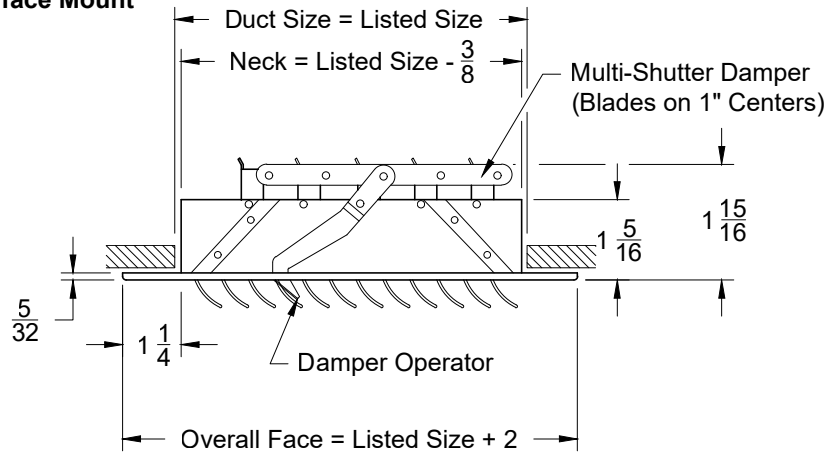
1. Available Finishes	2. Available Accessories	3. Available Options	4. Construction Details
Standard Finish: 01 White Optional Finish: 24 Mill Finish Optional Finish: 02 Satin Silver 03 Black 28 Custom Color	XG-PF - Plaster Frame XG-TBPF - T-Bar Plaster Frame XG-NSH - No Screw Holes XG-LIPF - Lay-In Plaster Frame		<ul style="list-style-type: none"> Aluminum construction Curved Adjustable Blades

All Dimensions $\pm 1/16"$

Model: XG-LMH-1

One Way Blow Pattern - Short Blades with Multi-Shutter Damper - Flush Surface Mount

XG-LMH-1 - Flush Surface Mount



Standard Square Neck Sizes	
Neck 1	Neck 2
6	x 6
8	x 8
10	x 10
12	x 12
14	x 14

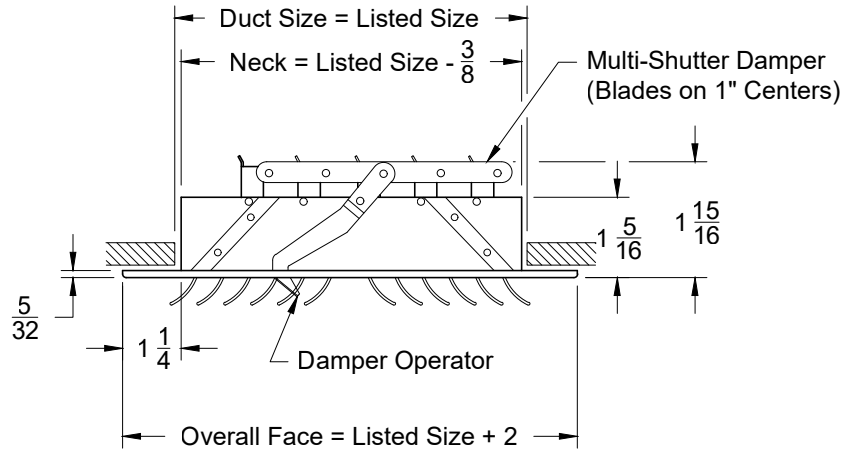
Rectangular Neck Sizes Available	
Min	Max
4	24

1. Available Finishes	2. Available Accessories	3. Available Options	4. Construction Details
Standard Finish: 01 White Optional Finish: 24 Mill Finish Optional Finish: 02 Satin Silver 03 Black 28 Custom Color	XG-PF - Plaster Frame XG-TBPF - T-Bar Plaster Frame XG-NSH - No Screw Holes XG-LIPF - Lay-In Plaster Frame		<ul style="list-style-type: none"> Aluminum construction Curved Adjustable Blades

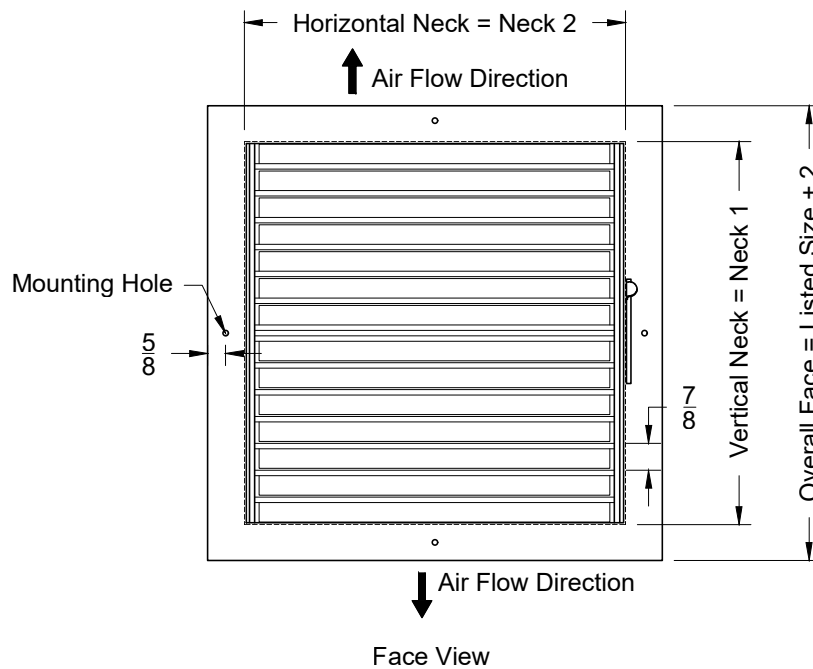
All Dimensions $\pm 1/16"$

Model: XG-LTMH-1 Two Way Blow Pattern - Long Blades with Multi-Shutter Damper - Flush Surface Mount

XG-LTMH-1 - Flush Surface Mount



Side View



Standard Square Neck Sizes	
Neck 1	Neck 2
6	x 6
8	x 8
10	x 10
12	x 12
14	x 14

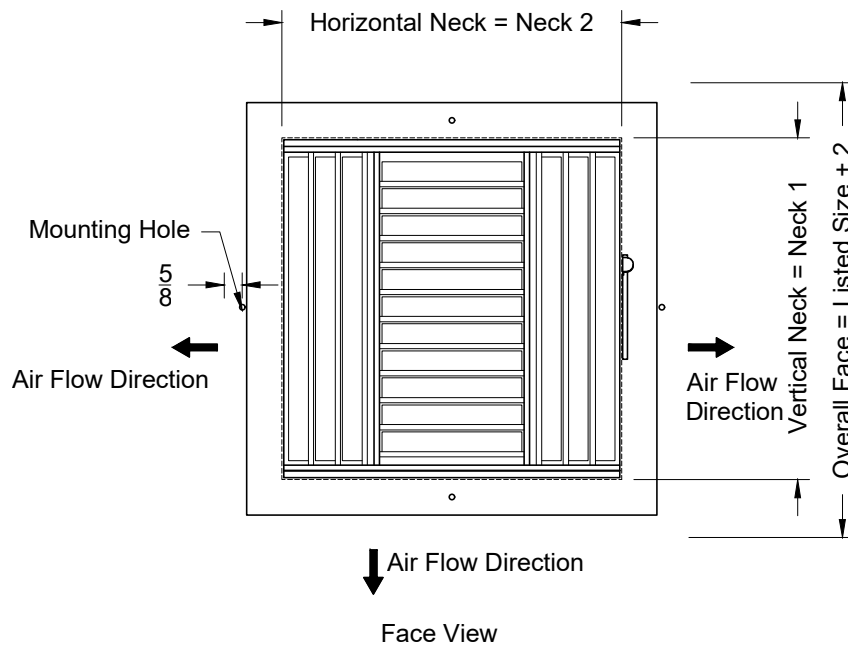
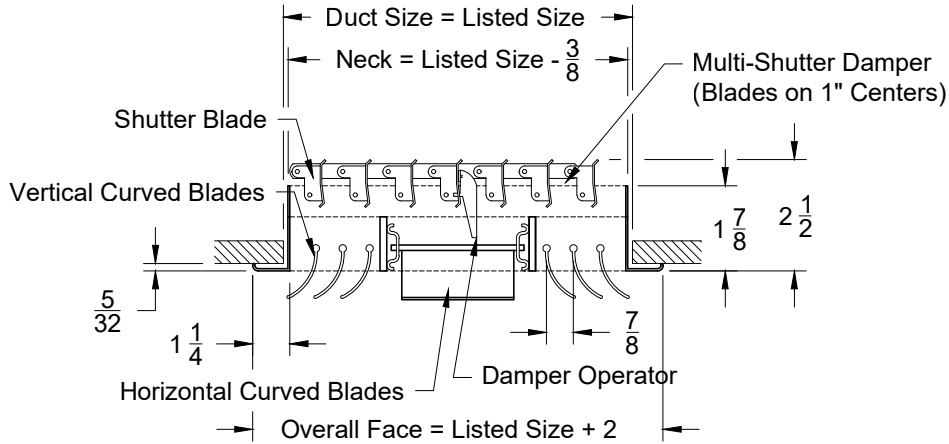
Rectangular Neck Sizes Available	
Min	Max
4	24

1. Available Finishes	2. Available Accessories	3. Available Options	4. Construction Details
Standard Finish: 01 White Optional Finish: 24 Mill Finish Optional Finish: 02 Satin Silver 03 Black 28 Custom Color	XG-PF - Plaster Frame XG-TBPF - T-Bar Plaster Frame XG-NSH - No Screw Holes XG-LIPF - Lay-In Plaster Frame		<ul style="list-style-type: none"> Aluminum construction Curved Adjustable Blades

All Dimensions $\pm 1/16"$

Model: XG-LS3M-1 Three Way Blow Pattern with Multi-Shutter Damper - Flush Surface Mount

XG-LS3M-1 - Flush Surface Mount



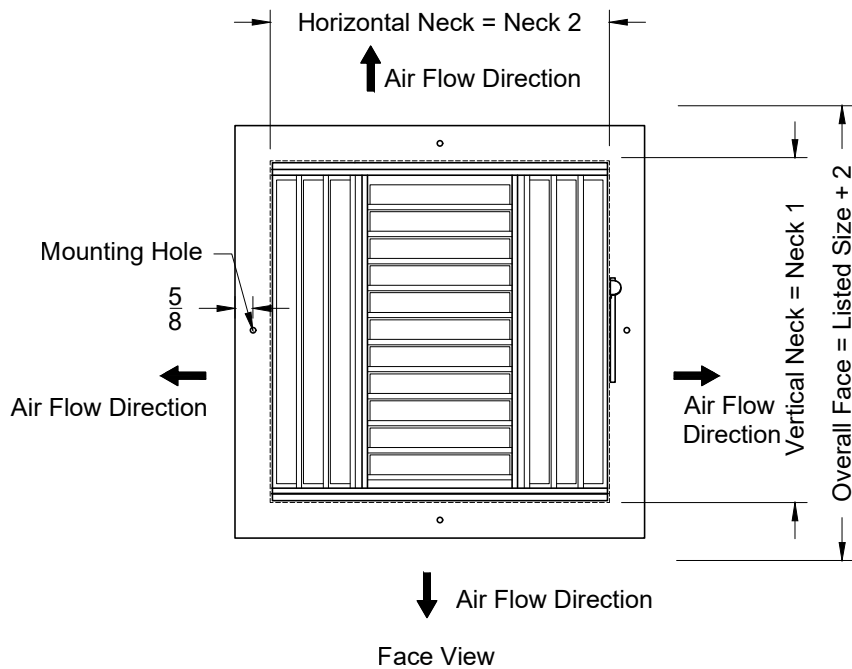
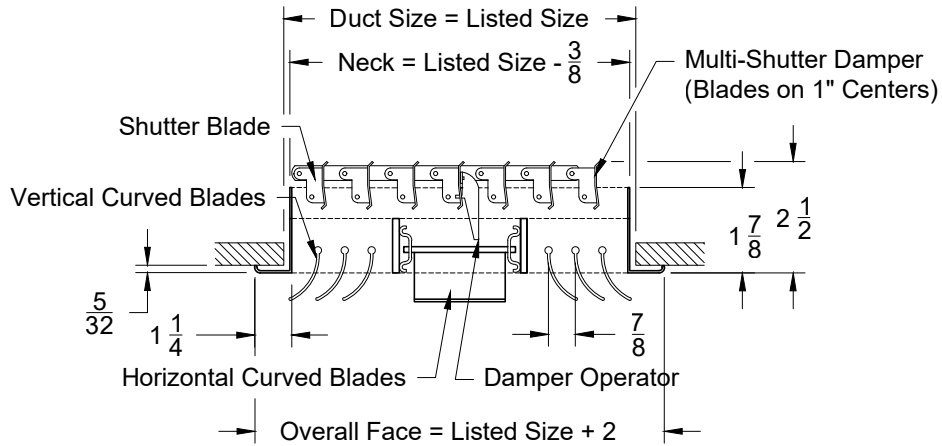
Standard Square Neck Sizes	
Neck 1	Neck 2
6	x 6
8	x 8
10	x 10
12	x 12
14	x 14

1. Available Finishes	2. Available Accessories	3. Available Options	4. Construction Details
Standard Finish: 01 White Optional Finish: 24 Mill Finish Optional Finish: 02 Satin Silver 03 Black 28 Custom Color	XG-PF - Plaster Frame XG-TBPF - T-Bar Plaster Frame XG-NSH - No Screw Holes XG-LIPF - Lay-In Plaster Frame		<ul style="list-style-type: none"> Aluminum construction Curved Adjustable Blades

All Dimensions $\pm 1/16"$

Model: XG-LS4M-1 Four Way Blow Pattern with Multi-Shutter Damper - Flush Surface Mount

XG-LS4M-1 - Flush Surface Mount



Standard Square Neck Sizes	
Neck 1	Neck 2
6	x 6
8	x 8
10	x 10
12	x 12
14	x 14

1. Available Finishes	2. Available Accessories	3. Available Options	4. Construction Details
Standard Finish: 01 White Optional Finish: 24 Mill Finish Optional Finish: 02 Satin Silver 03 Black 28 Custom Color	XG-PF - Plaster Frame XG-TBPF - T-Bar Plaster Frame XG-NSH - No Screw Holes XG-LIPF - Lay-In Plaster Frame		<ul style="list-style-type: none"> Aluminum construction Curved Adjustable Blades

All Dimensions $\pm 1/16"$