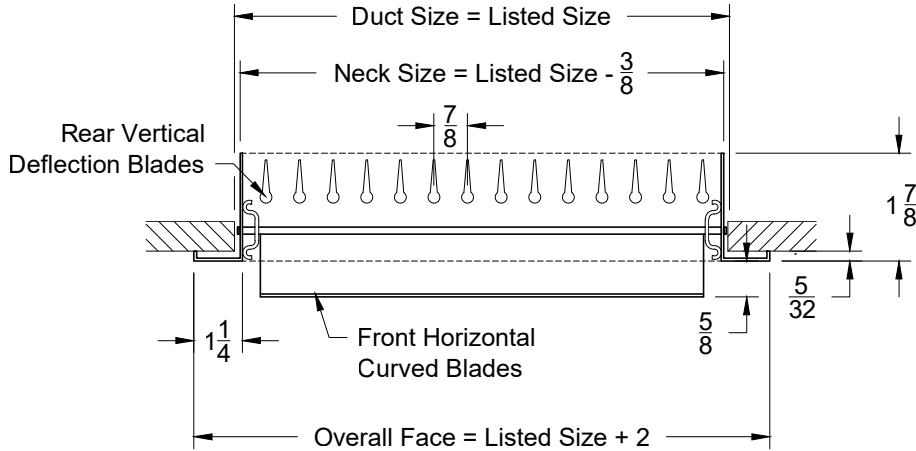


Model: XG-LV-1

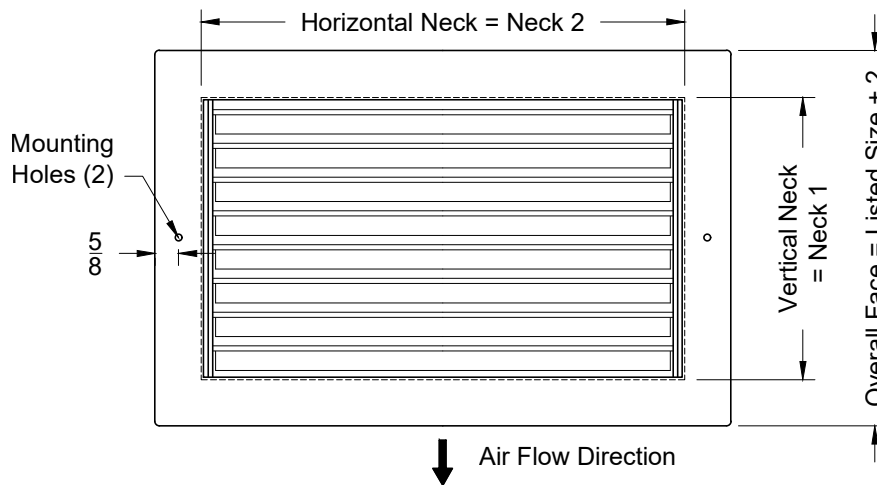
One Way Blow Pattern - Long Blades - Double Deflection - Flush Surface Mount

XG-LV-1 - Flush Surface Mount



Side View

Rectangular Neck Sizes Available	
Min	Max
4	24



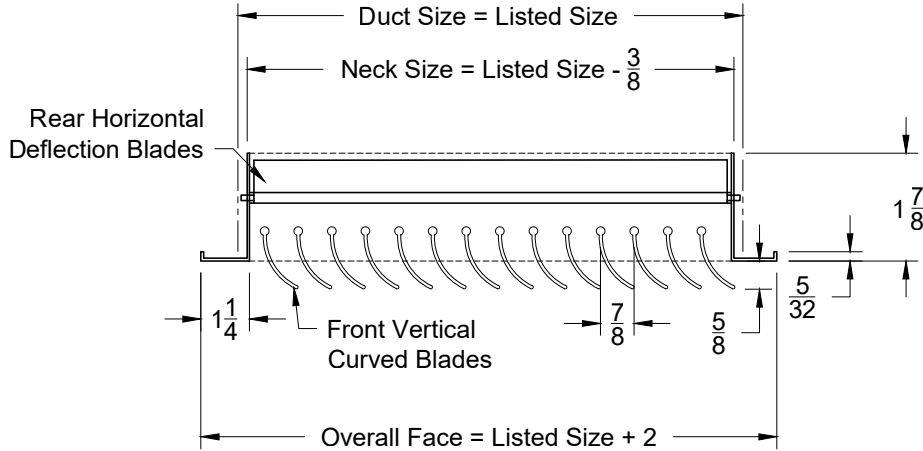
Face View

1. Available Finishes	2. Available Accessories	3. Available Options	4. Construction Details
Standard Finish: 01 White Finish 24 Mill Finish Optional Finish 02 Satin Silver 03 Black 28 Custom Color	XG-OBDA - Steel Opposed Blade Damper XG-OBDA - Aluminum OBD XG-L9 - Equalizing Grid XG-PF - Plaster Frame XG-LIPF - Lay-In Plaster Frame	IS - Insect Screen NSH - No Screw Holes	<ul style="list-style-type: none"> Largest single section is 48x48
All Dimensions $\pm 1/16"$			

Model: XG-SH-1

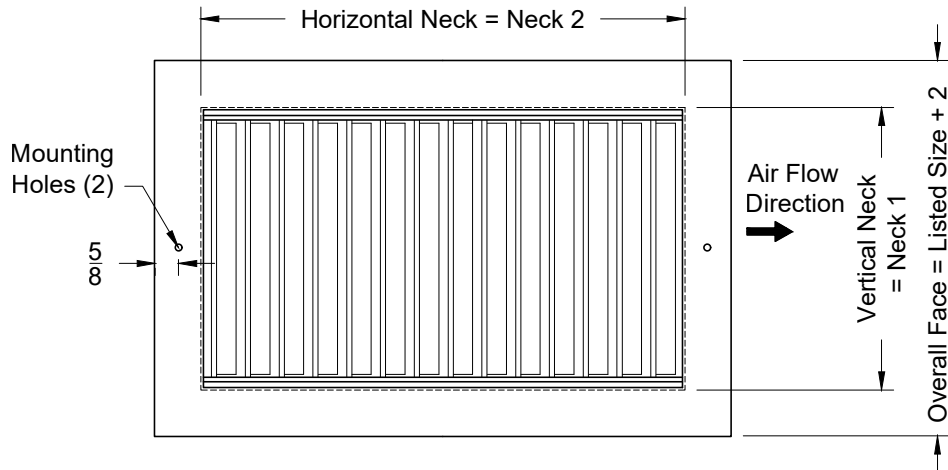
One Way Blow Pattern - Short Blades - Double Deflection - Flush Surface Mount

XG-SH-1 - Flush Surface Mount



Side View

Rectangular Neck Sizes Available	
Min	Max
4	24



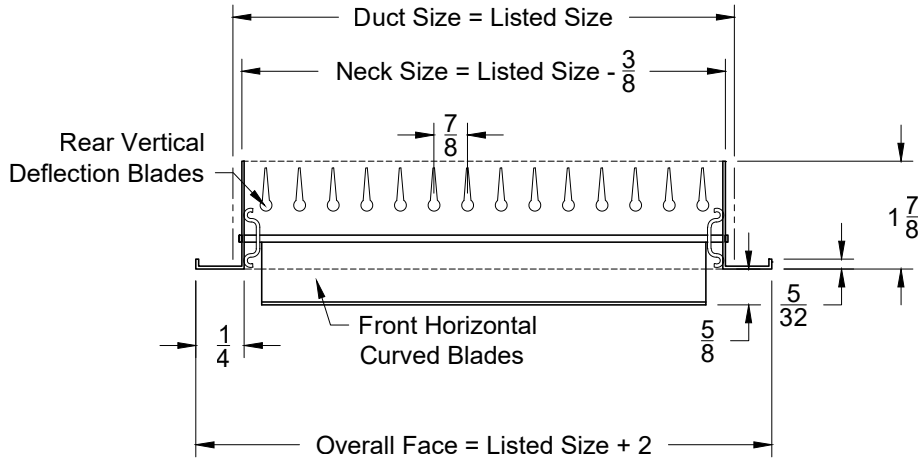
Face View

1. Available Finishes	2. Available Accessories	3. Available Options	4. Construction Details
Standard Finish: 01 White Finish 24 Mill Finish Optional Finish 02 Satin Silver 03 Black 28 Custom Color	XG-OBD - Steel Opposed Blade Damper XG-OBDA - Aluminum OBD XG-L9 - Equalizing Grid XG-PF - Plaster Frame XG-LIPF - Lay-In Plaster Frame	IS - Insect Screen NSH - No Screw Holes	<ul style="list-style-type: none"> Largest single section is 48x48
All Dimensions $\pm 1/16"$			

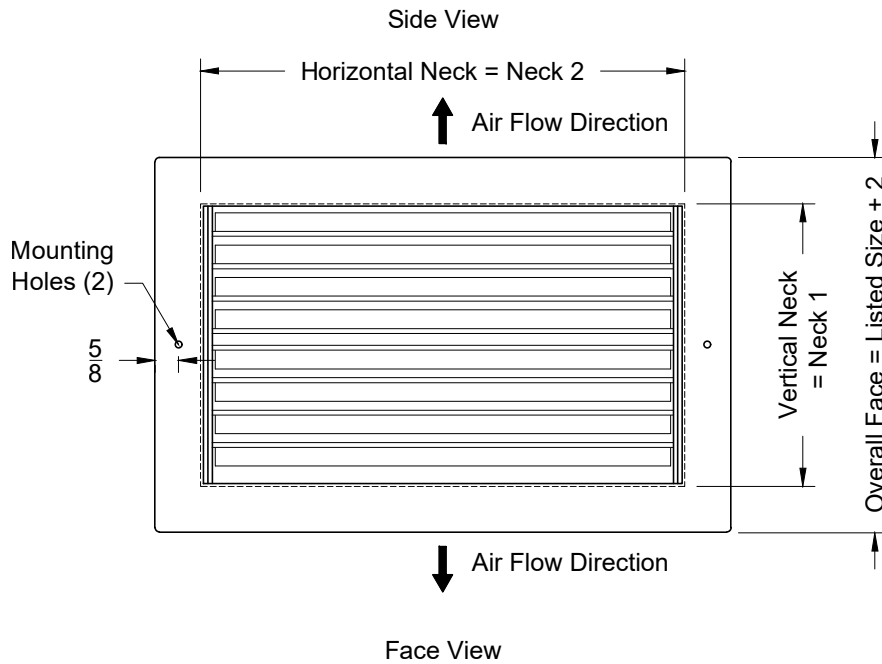
Model: XG-LTV-1

Two Way Blow Pattern - Long Blades - Double Deflection - Flush Surface Mount

XG-LTV-1 - Flush Surface Mount



Rectangular Neck Sizes Available	
Min	Max
4	24



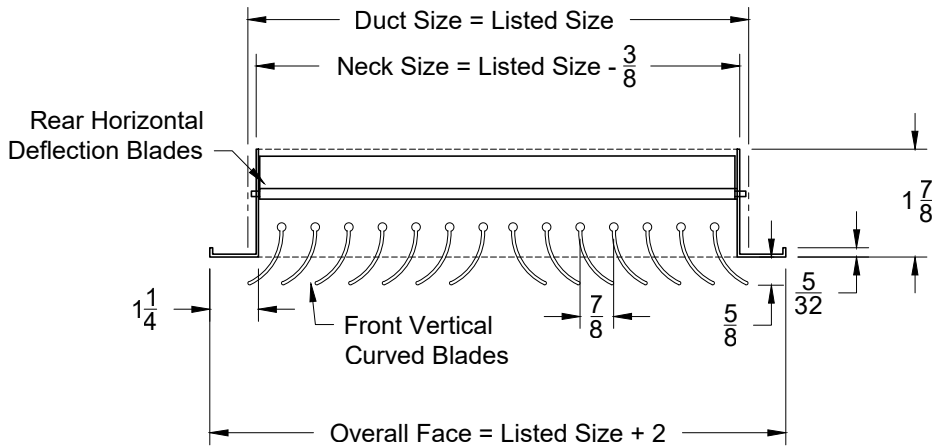
1. Available Finishes	2. Available Accessories	3. Available Options	4. Construction Details
Standard Finish: 01 White Finish 24 Mill Finish Optional Finish 02 Satin Silver 03 Black 28 Custom Color	XG-OBDA - Steel Opposed Blade Damper XG-OBDA - Aluminum OBD XG-L9 - Equalizing Grid XG-PF - Plaster Frame XG-LIPF - Lay-In Plaster Frame	IS - Insect Screen NSH - No Screw Holes	<ul style="list-style-type: none"> Largest single section is 48x48

All Dimensions $\pm 1/16"$

Model: XG-STH-1

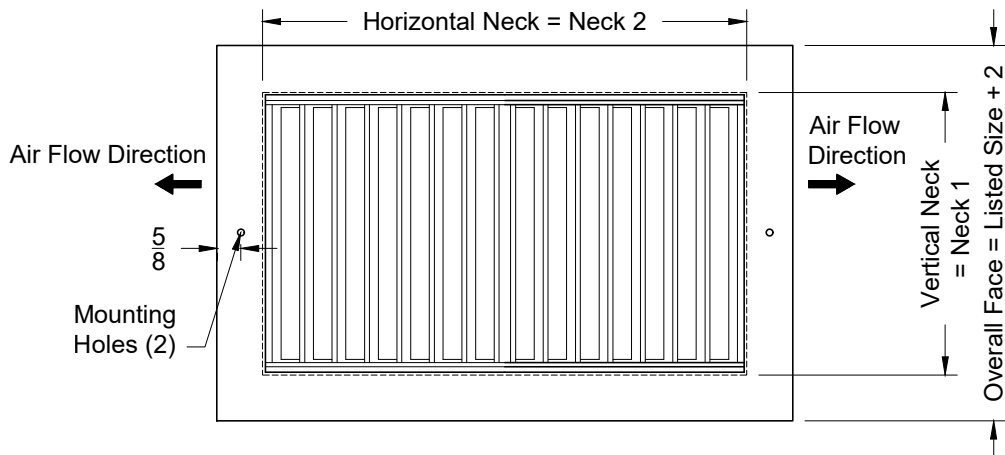
Two Way Blow Pattern - Short Blades - Double Deflection - Flush Surface Mount

XG-STH-1 - Flush Surface Mount



Side View

Rectangular Neck Sizes Available	
Min	Max
4	24



Face View

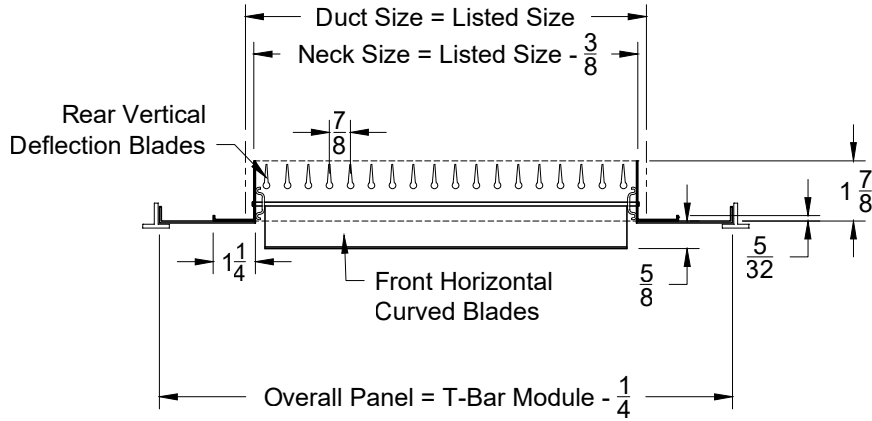
1. Available Finishes	2. Available Accessories	3. Available Options	4. Construction Details
Standard Finish: 01 White Finish 24 Mill Finish Optional Finish 02 Satin Silver 03 Black 28 Custom Color	XG-OBD - Steel Opposed Blade Damper XG-OBDA - Aluminum OBD XG-L9 - Equalizing Grid XG-PF - Plaster Frame XG-LIPF - Lay-In Plaster Frame	IS - Insect Screen NSH - No Screw Holes	<ul style="list-style-type: none"> Largest single section is 48x48

All Dimensions $\pm 1/16$ "

Model: XG-LV-6

One Way Blow Pattern - Long Blades - Double Deflection - Lay In T-Bar Panel

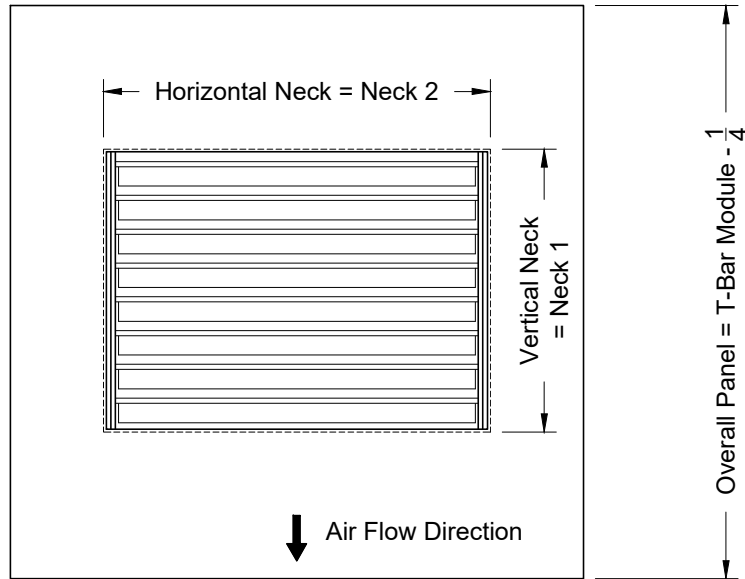
XG-LV-6 - Lay In T-Bar Panel



Side View

Standard Module Sizes	
Neck 1	Neck 2
12	x 12
24	x 24
24	x 12
48	x 24
48	x 48

Rectangular Neck Sizes Available	
Min	Max
4	24



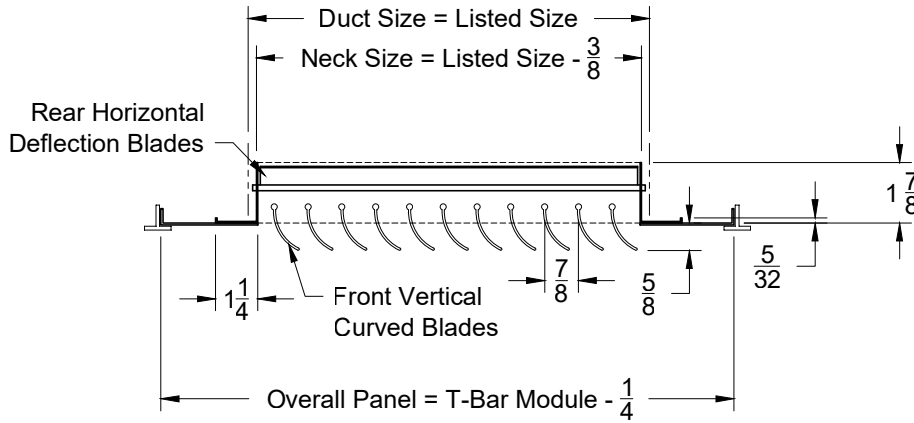
Face View

1. Available Finishes	2. Available Accessories	3. Available Options	4. Construction Details
Standard Finish: 01 White Finish 24 Mill Finish Optional Finish 02 Satin Silver 03 Black 28 Custom Color	XG-OBDA - Steel Opposed Blade Damper XG-OBDA - Aluminum OBD XG-L9 - Equalizing Grid XG-PF - Plaster Frame XG-LIPF - Lay-In Plaster Frame	IS - Insect Screen	<ul style="list-style-type: none"> Largest single section is 48x48
All Dimensions $\pm 1/16"$			

Model: XG-SH-6

One Way Blow Pattern - Short Blades - Double Deflection - Lay In T-Bar Panel

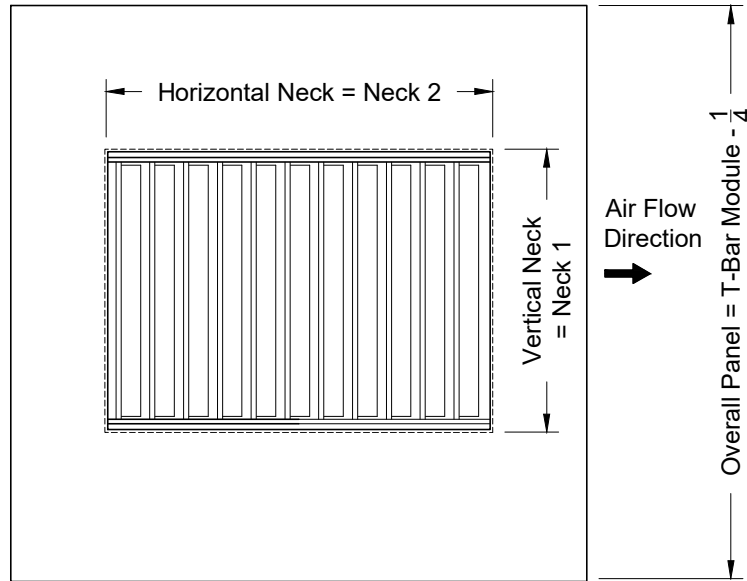
XG-SH-6 - Lay In T-Bar Panel



Side View

Standard Module Sizes	
Neck 1	Neck 2
12	x 12
24	x 24
24	x 12
48	x 24
48	x 48

Rectangular Neck Sizes Available	
Min	Max
4	24



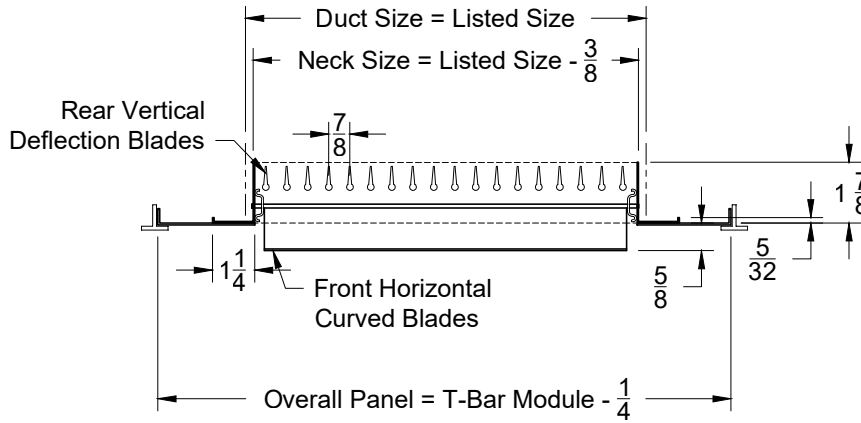
Face View

1. Available Finishes	2. Available Accessories	3. Available Options	4. Construction Details
Standard Finish: 01 White Finish 24 Mill Finish Optional Finish 02 Satin Silver 03 Black 28 Custom Color	XG-OBDA - Steel Opposed Blade Damper XG-OBDA - Aluminum OBD XG-L9 - Equalizing Grid XG-PF - Plaster Frame XG-LIPF - Lay-In Plaster Frame	IS - Insect Screen	<ul style="list-style-type: none"> Largest single section is 48x48 <p style="text-align: right;">All Dimensions ±1/16"</p>

Model: XG-LTV-6

Two Way Blow Pattern - Long Blades - Double Deflection - Lay In T-Bar Panel

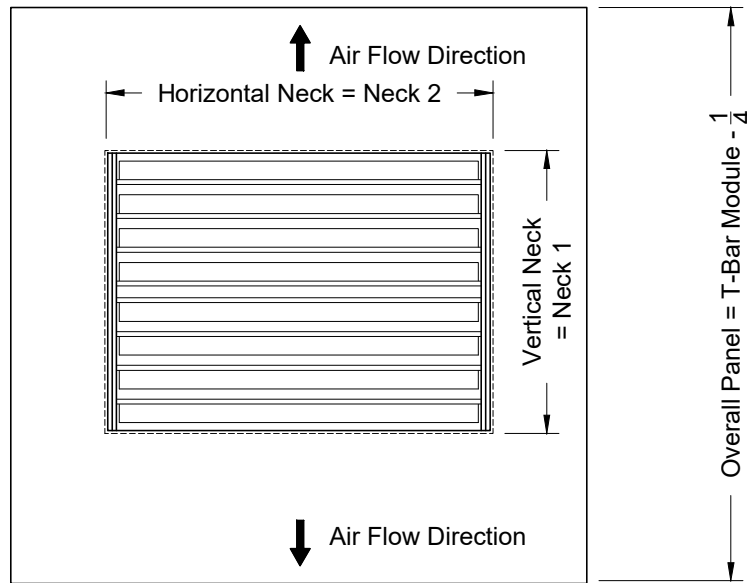
XG-LTV-6 - Lay In T-Bar Panel



Side View

Standard Module Sizes	
Neck 1	Neck 2
12	x 12
24	x 24
24	x 12
48	x 24
48	x 48

Rectangular Neck Sizes Available	
Min	Max
4	24



Face View

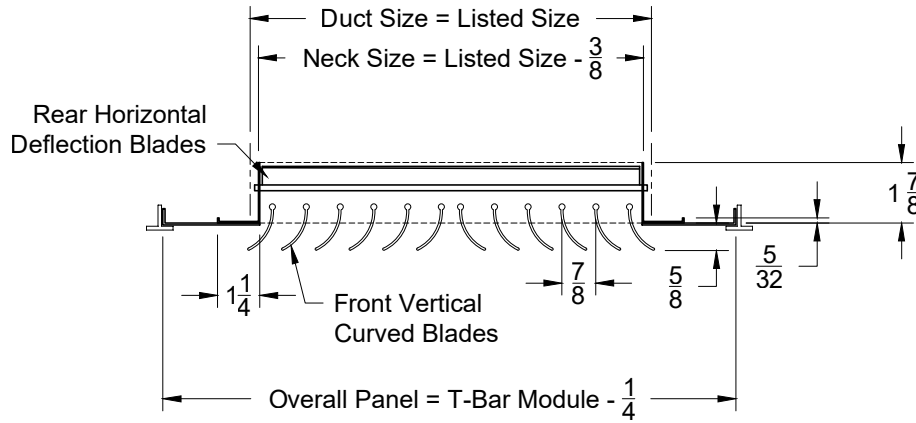
1. Available Finishes	2. Available Accessories	3. Available Options	4. Construction Details
Standard Finish: 01 White Finish 24 Mill Finish Optional Finish 02 Satin Silver 03 Black 28 Custom Color	XG-OBD - Steel Opposed Blade Damper XG-OBDA - Aluminum OBD XG-L9 - Equalizing Grid XG-PF - Plaster Frame XG-LIPF - Lay-In Plaster Frame	IS - Insect Screen	<ul style="list-style-type: none"> Largest single section is 48x48

All Dimensions ±1/16"

Model: XG-STH-6

Two Way Blow Pattern - Short Blades - Double Deflection - Lay In T-Bar Panel

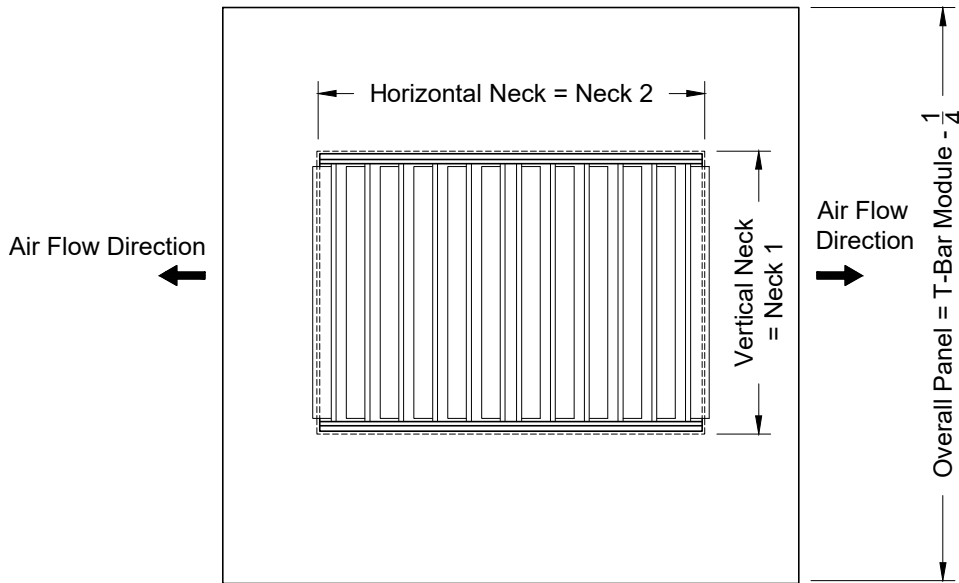
XG-STH-6 - Lay In T-Bar Panel



Side View

Standard Module Sizes	
Neck 1	Neck 2
12	x 12
24	x 24
24	x 12
48	x 24
48	x 48

Rectangular Neck Sizes Available	
Min	Max
4	24



Face View

1. Available Finishes	2. Available Accessories	3. Available Options	4. Construction Details
Standard Finish: 01 White Finish 24 Mill Finish Optional Finish 02 Satin Silver 03 Black 28 Custom Color	XG-OBD - Steel Opposed Blade Damper XG-OBDA - Aluminum OBD XG-L9 - Equalizing Grid XG-PF - Plaster Frame XG-LIPF - Lay-In Plaster Frame	IS - Insect Screen	<ul style="list-style-type: none"> Largest single section is 48x48
All Dimensions ±1/16"			