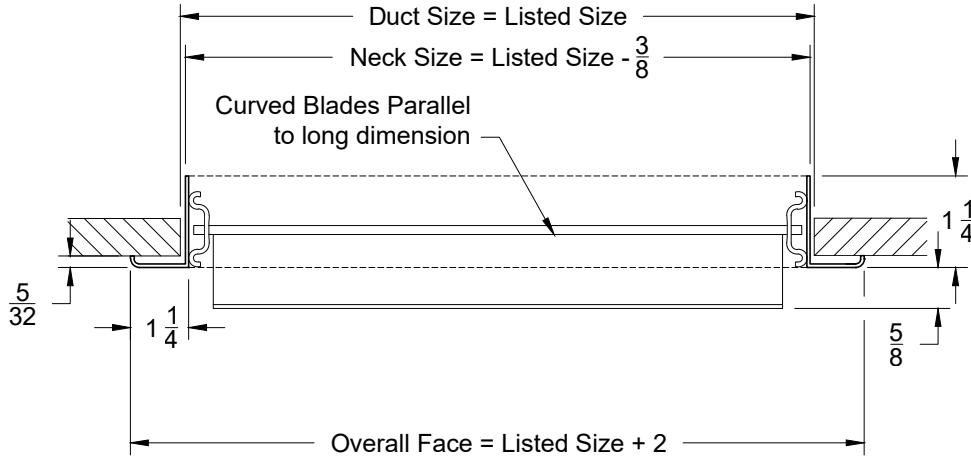


Model: XG-L-1

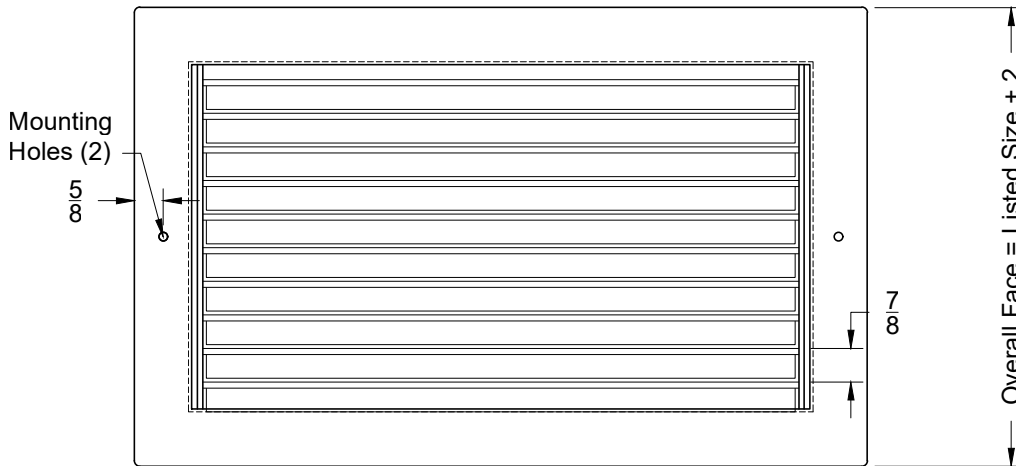
One Way Blow Pattern - Long Blades - Flush Surface Mount

### XG-L-1 - Flush Surface Mount



Side View

Rectangular Neck Sizes Available	
Min	Max
4	24



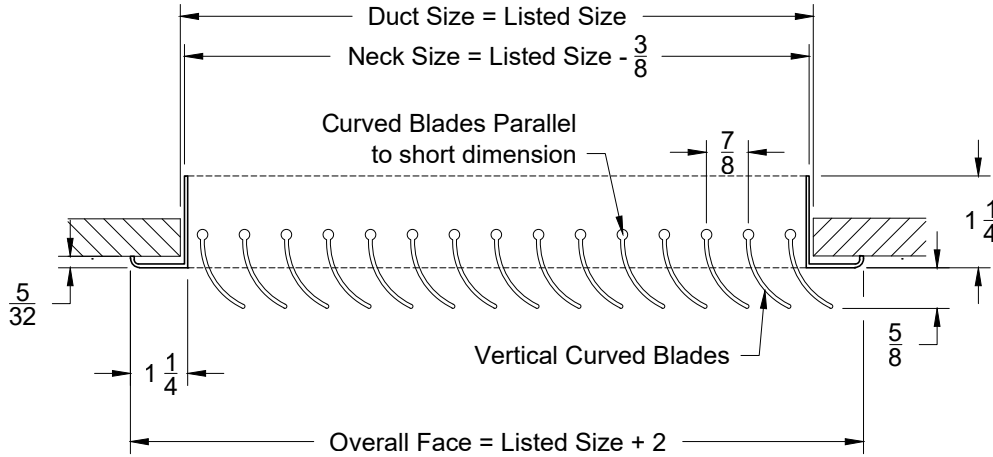
Face View

1. Available Finishes	2. Available Accessories	3. Available Options	4. Construction Details
Standard Finish: 01 White Finish 24 Mill Finish Optional Finish 02 Satin Silver 03 Black 28 Custom Color	XG-OBDA - Steel Opposed Blade Damper XG-OBDA - Aluminum OBD XG-L9 - Equalizing Grid XG-PF - Plaster Frame XG-TBPF - T-Bar Plaster Frame XG-LIPF - Lay-In Plaster Frame	IS - Insect Screen NSH - No Screw Holes	<ul style="list-style-type: none"> <li>Largest single section is 48x48</li> </ul>
All Dimensions $\pm 1/16$ "			

Model: XG-S-1

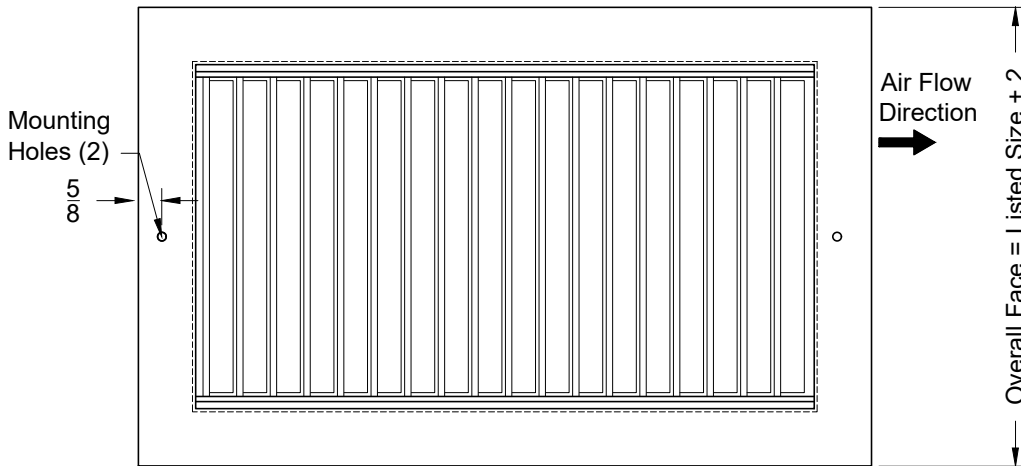
One Way Blow Pattern - Short Blades - Flush Surface Mount

### XG-S-1 - Flush Surface Mount



Side View

Rectangular Neck Sizes Available	
Min	Max
4	24



Face View

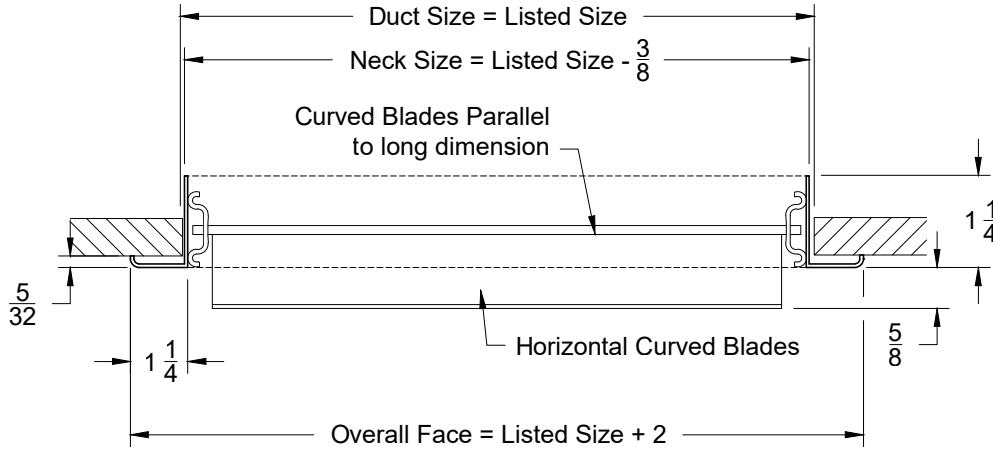
1. Available Finishes	2. Available Accessories	3. Available Options	4. Construction Details
Standard Finish: 01 White Finish 24 Mill Finish Optional Finish 02 Satin Silver 03 Black 28 Custom Color	XG-OBDA - Steel Opposed Blade Damper XG-OBDA - Aluminum OBD XG-L9 - Equalizing Grid XG-PF - Plaster Frame XG-TBPF - T-Bar Plaster Frame XG-LIPF - Lay-In Plaster Frame	IS - Insect Screen NSH - No Screw Holes	<ul style="list-style-type: none"> <li>Largest single section is 48x48</li> </ul>

All Dimensions  $\pm 1/16"$

Model: XG-LT-1

Two Way Blow Pattern - Long Blades - Flush Surface Mount

### XG-LT-1 - Flush Surface Mount

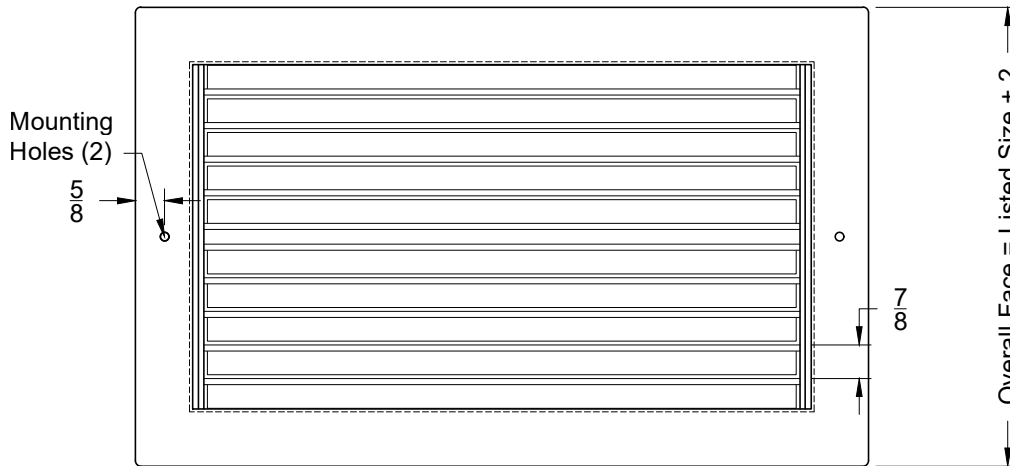


Side View



Air Flow Direction

Rectangular Neck Sizes Available	
Min	Max
4	24



Air Flow Direction

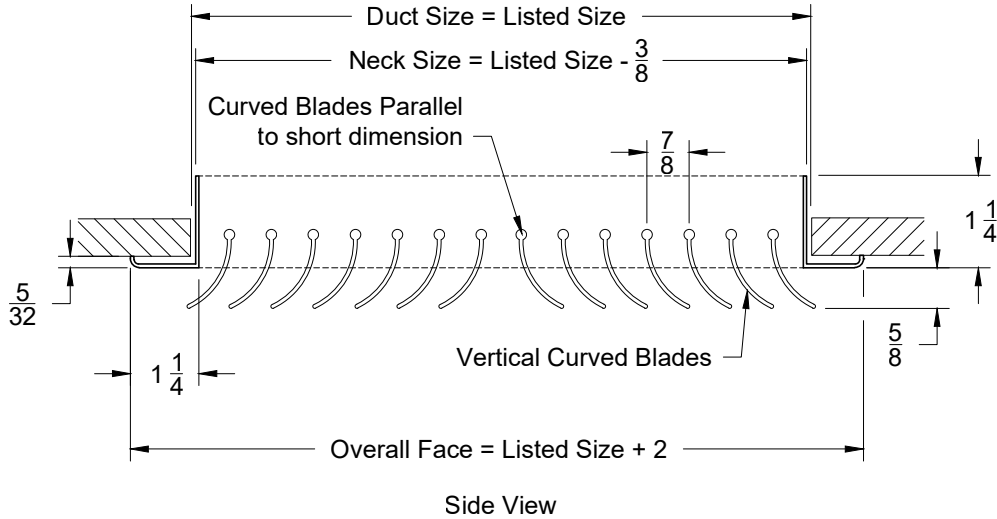
Face View

1. Available Finishes	2. Available Accessories	3. Available Options	4. Construction Details
Standard Finish: 01 White Finish 24 Mill Finish Optional Finish 02 Satin Silver 03 Black 28 Custom Color	XG-OBDA - Steel Opposed Blade Damper XG-OBDA - Aluminum OBD XG-L9 - Equalizing Grid XG-PF - Plaster Frame XG-TBPF - T-Bar Plaster Frame XG-LIPF - Lay-In Plaster Frame	IS - Insect Screen NSH - No Screw Holes	<ul style="list-style-type: none"> <li>Largest single section is 48x48</li> </ul>

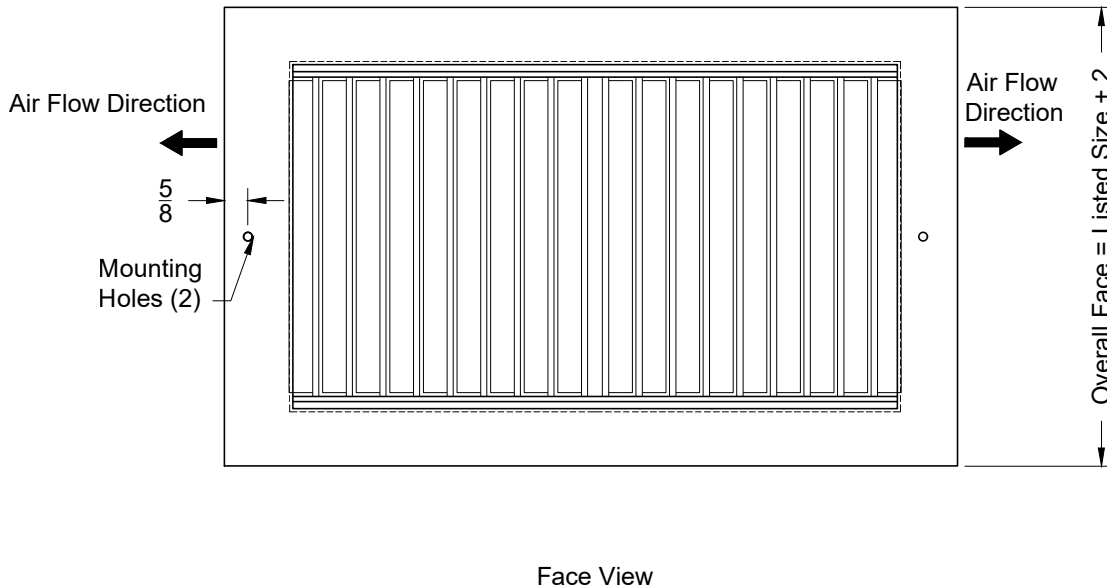
All Dimensions  $\pm 1/16"$

Model: XG-ST-1 Two Way Blow Pattern - Flush Surface Mount

### XG-ST-1 - Flush Surface Mount



Rectangular Neck Sizes Available	
Min	Max
4	24



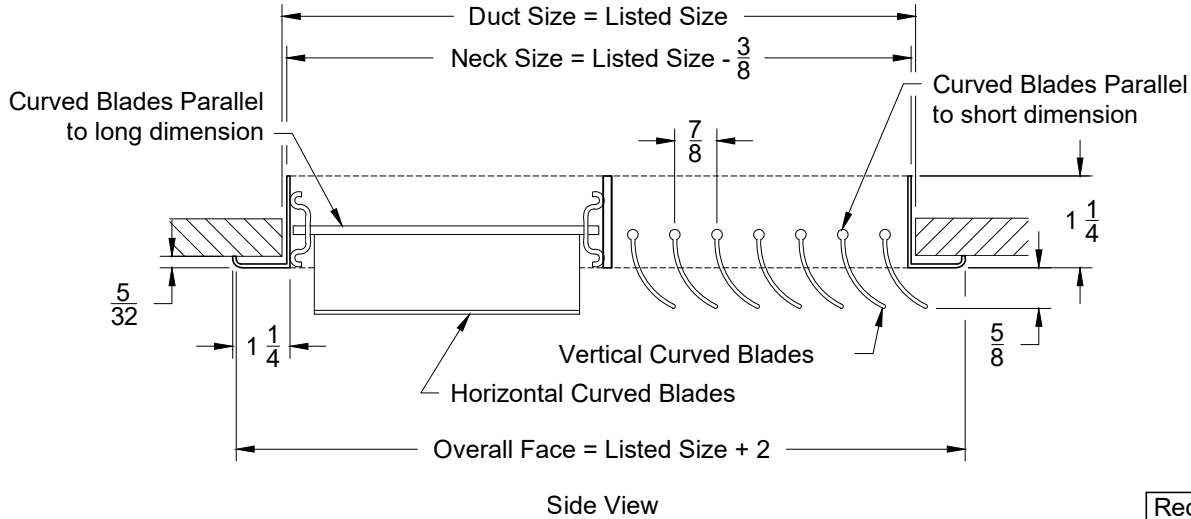
1. Available Finishes	2. Available Accessories	3. Available Options	4. Construction Details
Standard Finish: 01 White Finish 24 Mill Finish Optional Finish 02 Satin Silver 03 Black 28 Custom Color	XG-OBDA - Steel Opposed Blade Damper XG-OBDA - Aluminum OBD XG-L9 - Equalizing Grid XG-PF - Plaster Frame XG-TBPF - T-Bar Plaster Frame XG-LIPF - Lay-In Plaster Frame	IS - Insect Screen NSH - No Screw Holes	<ul style="list-style-type: none"> <li>Largest single section is 48x48</li> </ul>

All Dimensions  $\pm 1/16"$

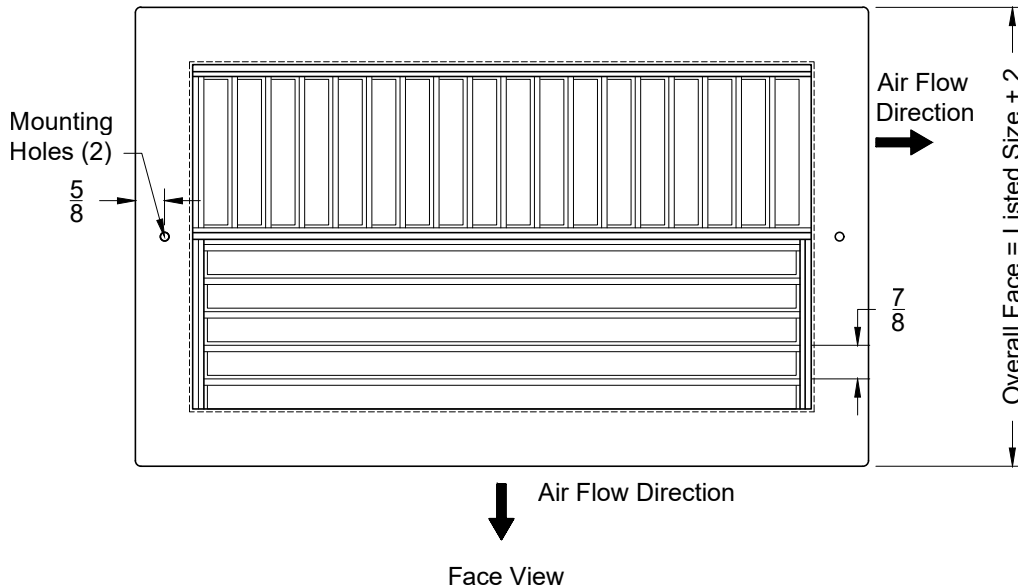
Model: XG-LTC-1

Two Way Corner Blow Pattern - Flush Surface Mount

### XG-LTC-1 - Flush Surface Mount



Rectangular Neck Sizes Available	
Min	Max
4	24

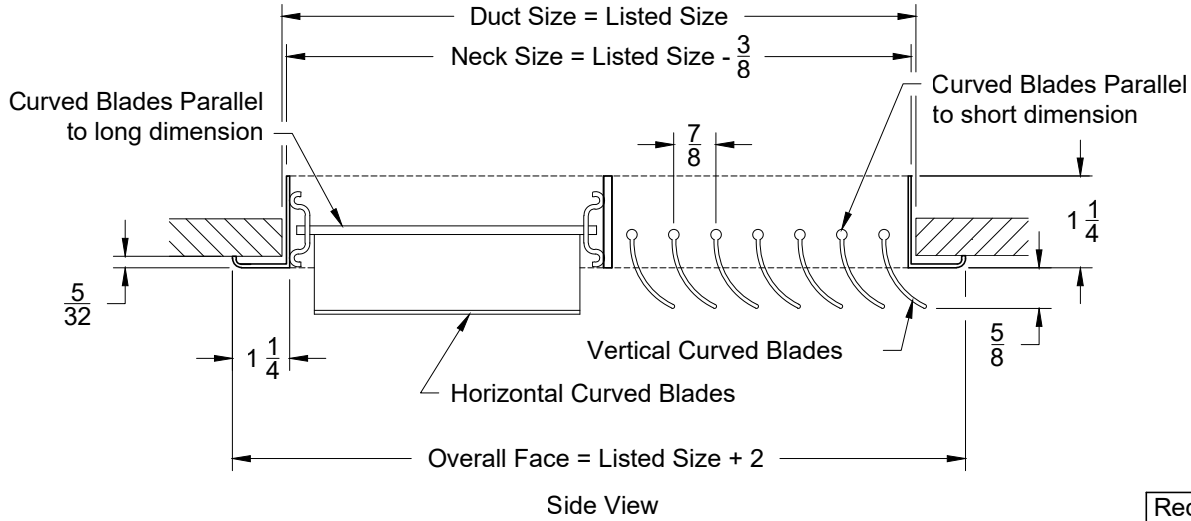


1. Available Finishes	2. Available Accessories	3. Available Options	4. Construction Details
Standard Finish: 01 White Finish 24 Mill Finish Optional Finish 02 Satin Silver 03 Black 28 Custom Color	XG-OBDA - Steel Opposed Blade Damper XG-OBDA - Aluminum OBD XG-L9 - Equalizing Grid XG-PF - Plaster Frame XG-TBPF - T-Bar Plaster Frame XG-LIPF - Lay-In Plaster Frame	IS - Insect Screen NSH - No Screw Holes	<ul style="list-style-type: none"> <li>Largest single section is 48x48</li> </ul>

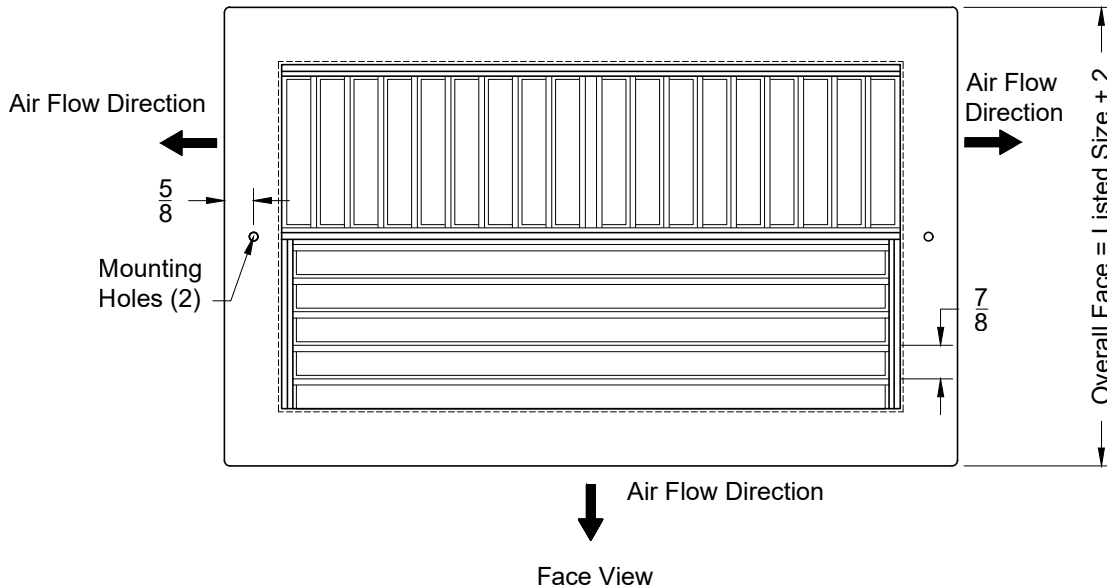
All Dimensions  $\pm 1/16"$

Model: XG-LTC3-1 Three Way Corner Blow Pattern - Flush Surface Mount

#### XG-LTC3-1 - Flush Surface Mount



Rectangular Neck Sizes Available	
Min	Max
4	24



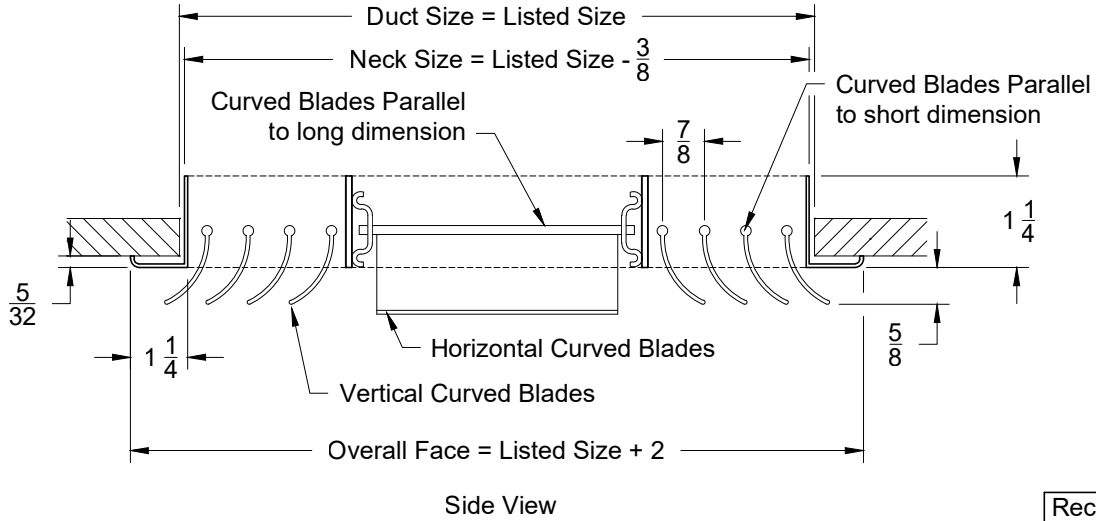
1. Available Finishes	2. Available Accessories	3. Available Options	4. Construction Details
Standard Finish: 01 White Finish 24 Mill Finish Optional Finish 02 Satin Silver 03 Black 28 Custom Color	XG-OBDA - Steel Opposed Blade Damper XG-OBDA - Aluminum OBD XG-L9 - Equalizing Grid XG-PF - Plaster Frame XG-TBPF - T-Bar Plaster Frame XG-LIPF - Lay-In Plaster Frame	IS - Insect Screen NSH - No Screw Holes	<ul style="list-style-type: none"> <li>Largest single section is 48x48</li> </ul>

All Dimensions  $\pm 1/16"$

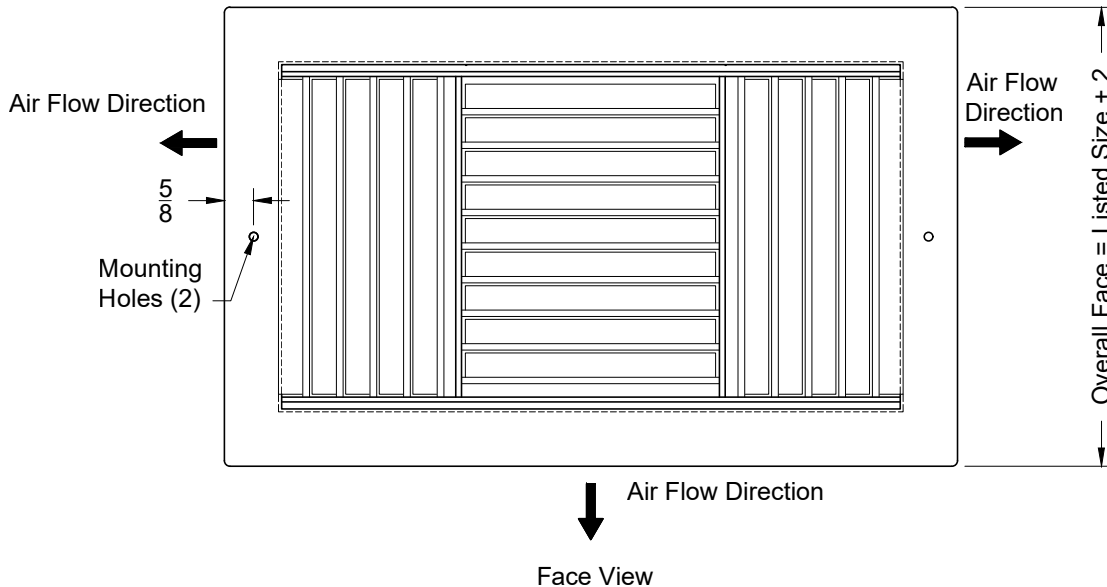
Model: XG-LS3-1

Three Way Blow Pattern - Flush Surface Mount

### XG-LS3-1 - Flush Surface Mount



Rectangular Neck Sizes Available	
Min	Max
4	24



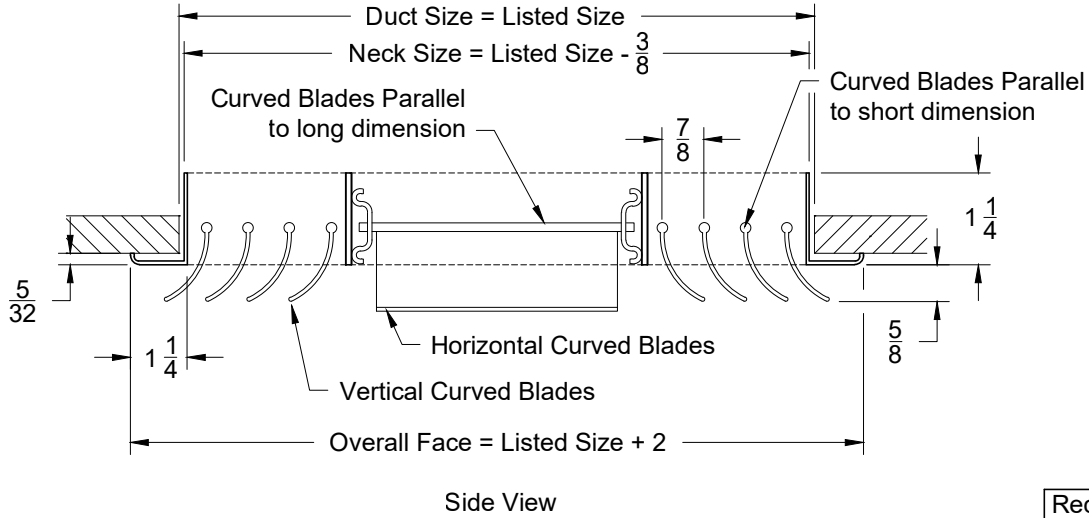
1. Available Finishes	2. Available Accessories	3. Available Options	4. Construction Details
Standard Finish: 01 White Finish 24 Mill Finish Optional Finish 02 Satin Silver 03 Black 28 Custom Color	XG-OBDA - Steel Opposed Blade Damper XG-OBDA - Aluminum OBD XG-L9 - Equalizing Grid XG-PF - Plaster Frame XG-TBPF - T-Bar Plaster Frame XG-LIPF - Lay-In Plaster Frame	IS - Insect Screen NSH - No Screw Holes	<ul style="list-style-type: none"> <li>Largest single section is 48x48</li> </ul>

All Dimensions  $\pm 1/16$ "

Model: XG-LS4-1

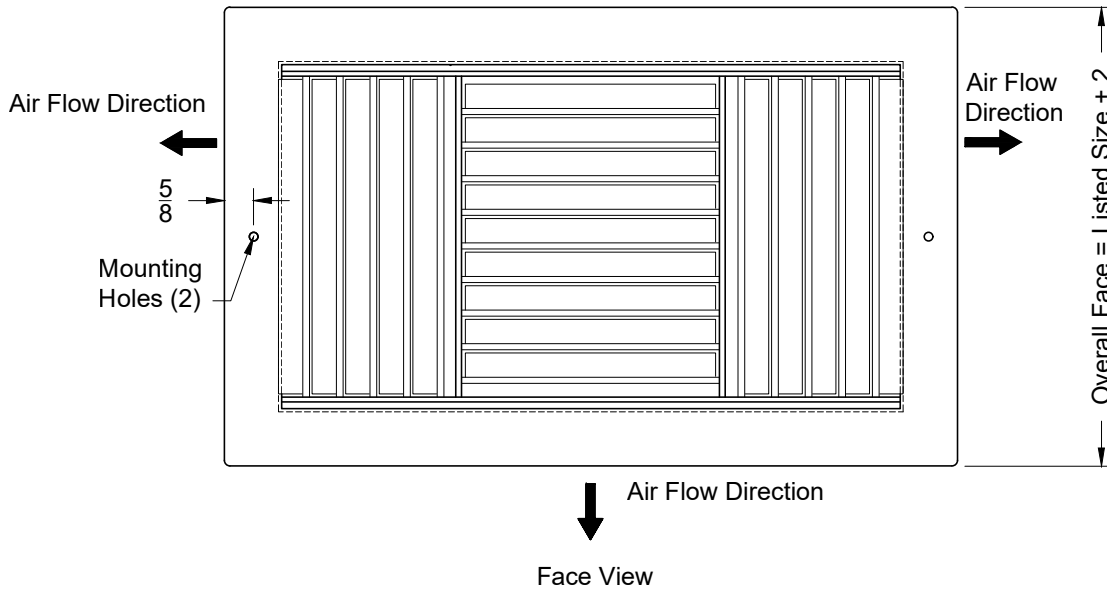
Four Way Blow Pattern - Flush Surface Mount

#### XG-LS4-1 - Flush Surface Mount



↑ Air Flow Direction

Rectangular Neck Sizes Available	
Min	Max
4	24



1. Available Finishes	2. Available Accessories	3. Available Options	4. Construction Details
Standard Finish: 01 White Finish 24 Mill Finish Optional Finish 02 Satin Silver 03 Black 28 Custom Color	XG-OBDA - Steel Opposed Blade Damper XG-OBDA - Aluminum OBD XG-L9 - Equalizing Grid XG-PF - Plaster Frame XG-TBPF - T-Bar Plaster Frame XG-LIPF - Lay-In Plaster Frame	IS - Insect Screen NSH - No Screw Holes	<ul style="list-style-type: none"> <li>Largest single section is 48x48</li> </ul>

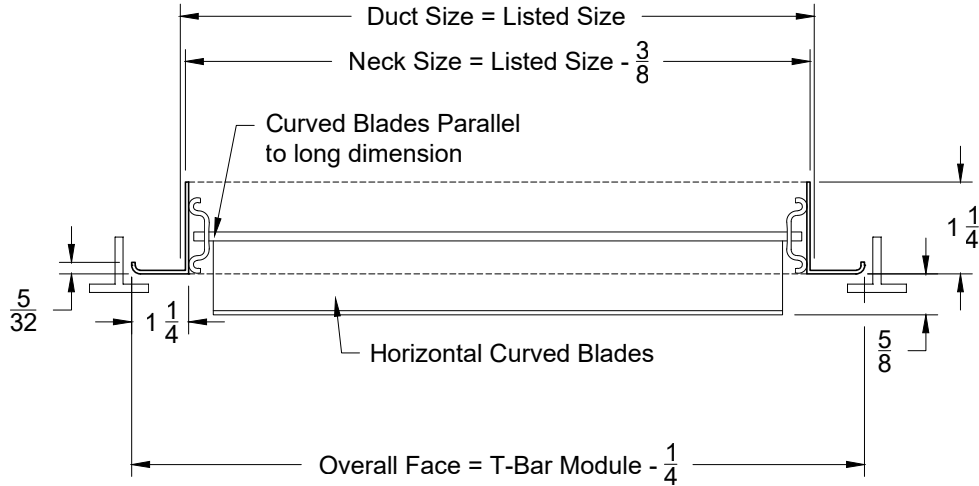
All Dimensions  $\pm 1/16"$



Model: XG-L-6

One Way Blow Pattern - Long Blades - T-Bar Lay-In

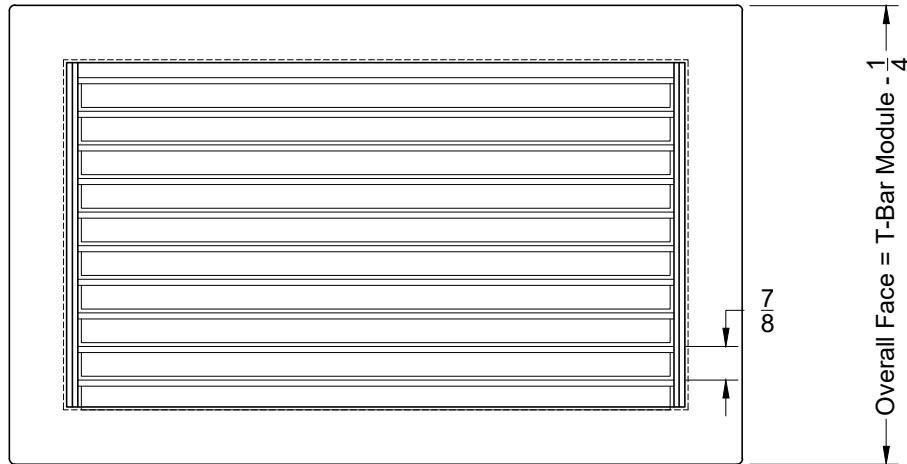
### XG-L-6 - T-Bar Lay-In



Side View

Standard Module Sizes	
Neck 1	Neck 2
12	x 12
24	x 24
24	x 12
48	x 24
48	x 48

Rectangular Neck Sizes Available	
Min	Max
4	24



Face View

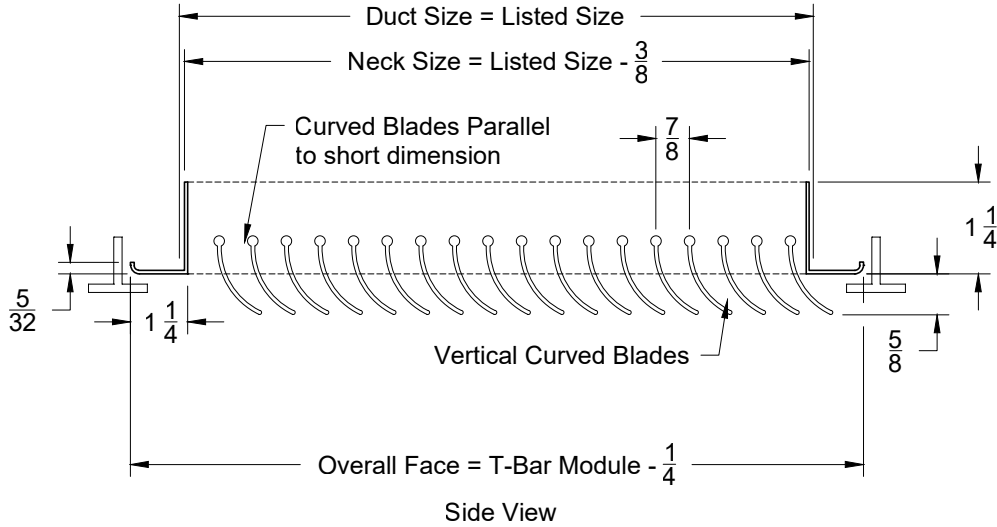
1. Available Finishes	2. Available Accessories	3. Available Options	4. Construction Details
Standard Finish: 01 White Finish 24 Mill Finish Optional Finish 02 Satin Silver 03 Black 28 Custom Color	XG-OBD - Steel Opposed Blade Damper XG-OBDA - Aluminum OBD XG-L9 - Equalizing Grid XG-PF - Plaster Frame XG-TR-Deep - Deep Transtion XG-LIPF - Lay-In Plaster Frame	IS - Insect Screen	<ul style="list-style-type: none"> <li>Largest single section is 48x48</li> </ul>

All Dimensions ±1/16"

Model: XG-S-6

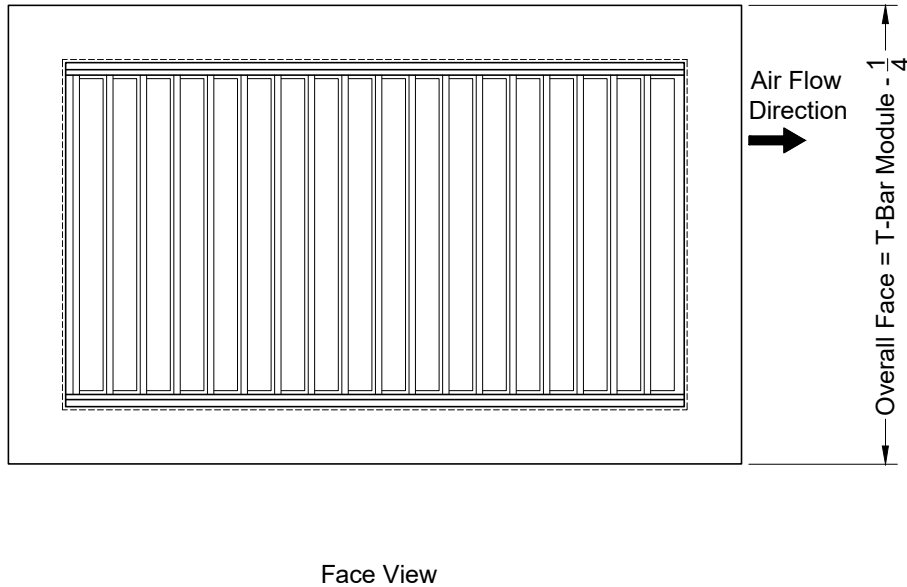
One Way Blow Pattern - Short Blades - T-Bar Lay-In

### XG-S-6 - T-Bar Lay-In



Standard Module Sizes	
Neck 1	Neck 2
12	x 12
24	x 24
24	x 12
48	x 24
48	x 48

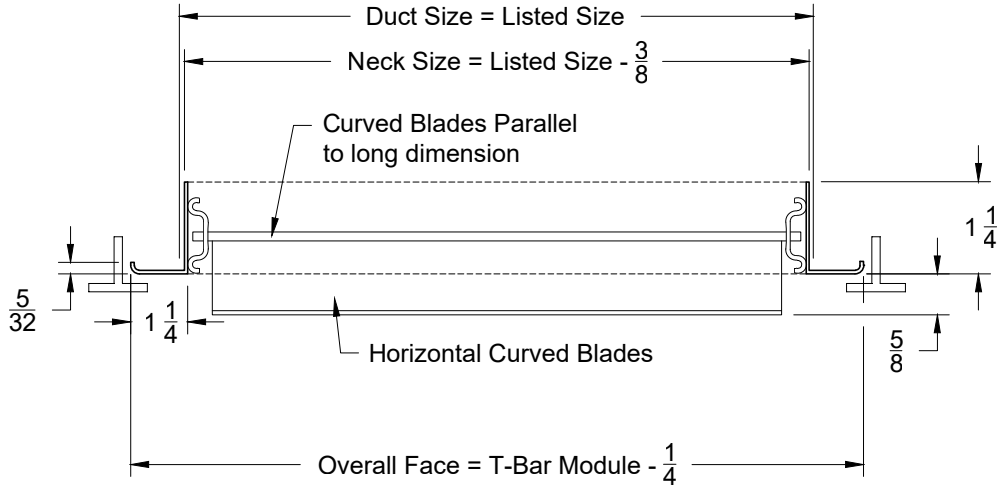
Rectangular Neck Sizes Available	
Min	Max
4	24



1. Available Finishes	2. Available Accessories	3. Available Options	4. Construction Details
Standard Finish: 01 White Finish 24 Mill Finish Optional Finish 02 Satin Silver 03 Black 28 Custom Color	XG-OBDA - Steel Opposed Blade Damper XG-OBDA - Aluminum OBD XG-L9 - Equalizing Grid XG-PF - Plaster Frame XG-TR-Deep - Deep Transtion XG-LIPF - Lay-In Plaster Frame	IS - Insect Screen	<ul style="list-style-type: none"> <li>Largest single section is 48x48</li> </ul> <p>All Dimensions <math>\pm 1/16"</math></p>

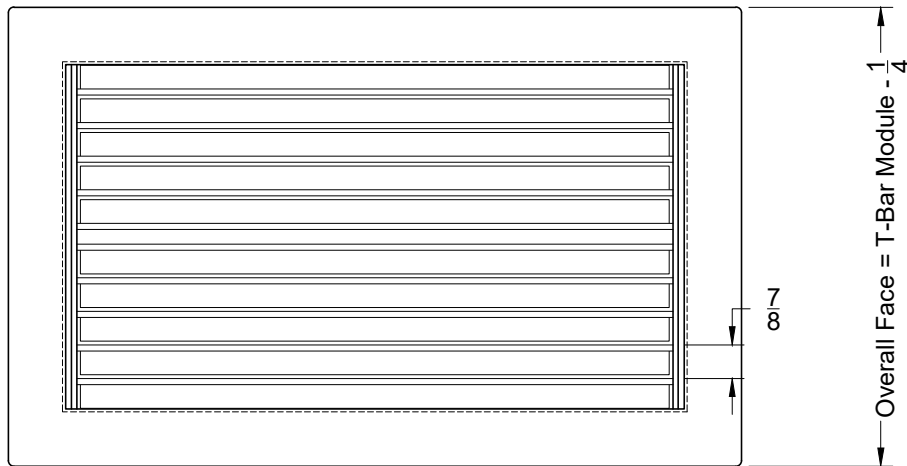
Model: XG-LT-6 Two Way Blow Pattern - Long Blades - T-Bar Lay-In

### XG-LT-6 - T-Bar Lay-In



Side View

↑ Air Flow Direction



Face View

↓ Air Flow Direction

Standard Module Sizes	
Neck 1	Neck 2
12	x 12
24	x 24
24	x 12
48	x 24
48	x 48

Rectangular Neck Sizes Available	
Min	Max
4	24

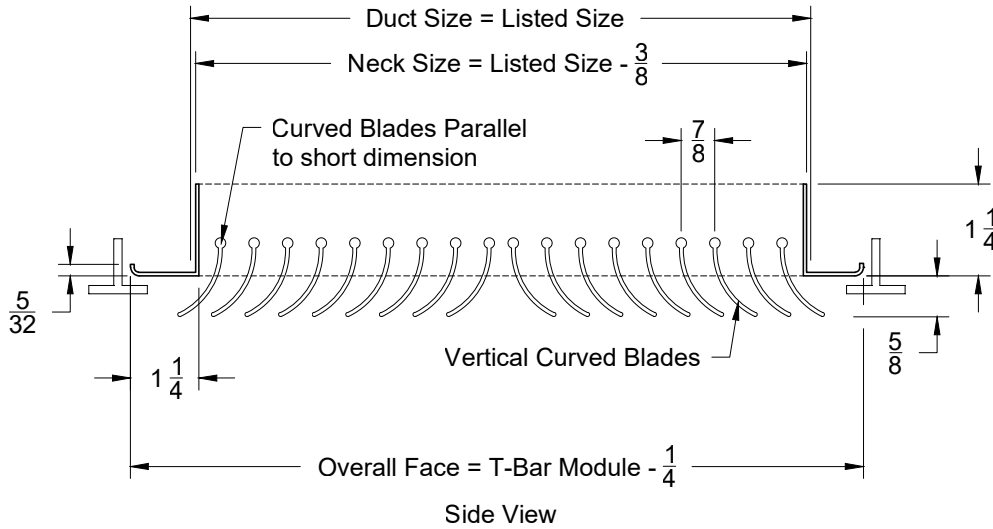
1. Available Finishes	2. Available Accessories	3. Available Options	4. Construction Details
Standard Finish: 01 White Finish 24 Mill Finish Optional Finish 02 Satin Silver 03 Black 28 Custom Color	XG-OBD - Steel Opposed Blade Damper XG-OBDA - Aluminum OBD XG-L9 - Equalizing Grid XG-PF - Plaster Frame XG-TR-Deep - Deep Transtion XG-LIPF - Lay-In Plaster Frame	IS - Insect Screen	<ul style="list-style-type: none"> <li>Largest single section is 48x48</li> </ul>

All Dimensions ±1/16"

Model: XG-ST-6

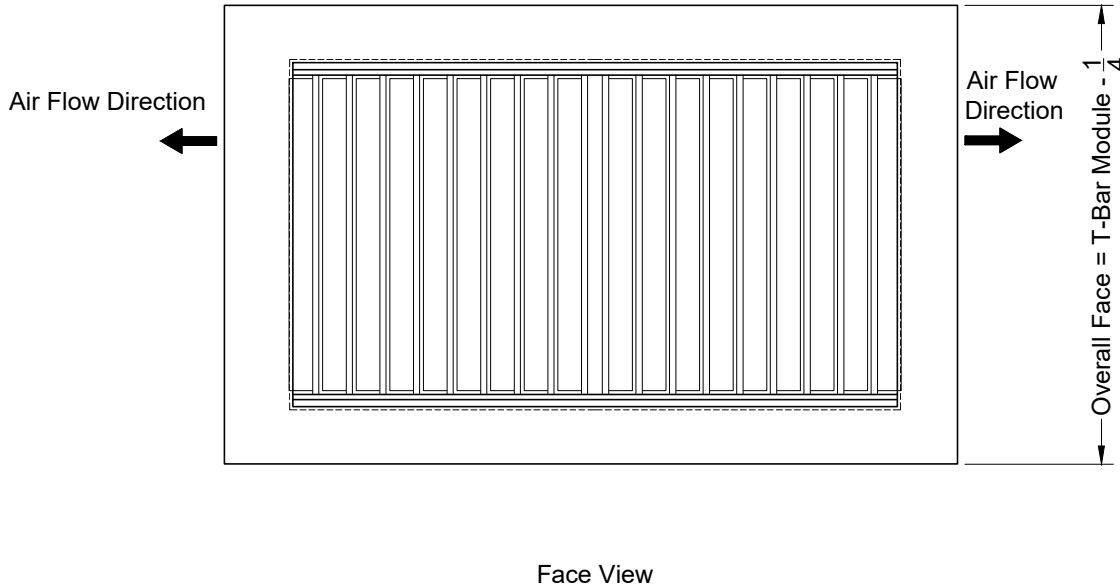
Two Way Blow Pattern - Short Blades - T-Bar Lay-In

### XG-ST-6 - T-Bar Lay-In



Standard Module Sizes	
Neck 1	Neck 2
12	x 12
24	x 24
24	x 12
48	x 24
48	x 48

Rectangular Neck Sizes Available	
Min	Max
4	24

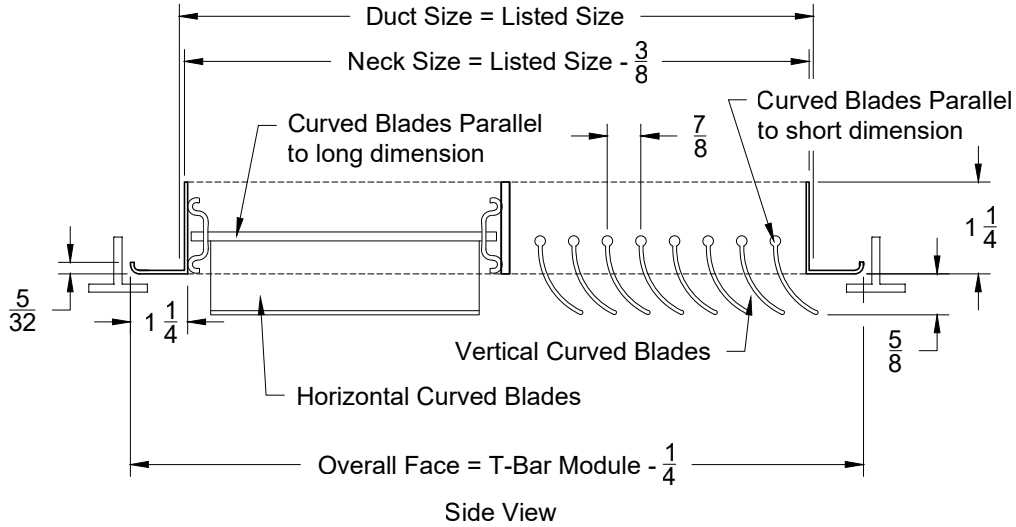


1. Available Finishes	2. Available Accessories	3. Available Options	4. Construction Details
Standard Finish: 01 White Finish 24 Mill Finish Optional Finish 02 Satin Silver 03 Black 28 Custom Color	XG-OBD - Steel Opposed Blade Damper XG-OBDA - Aluminum OBD XG-L9 - Equalizing Grid XG-PF - Plaster Frame XG-TR-Deep - Deep Transtion XG-LIPF - Lay-In Plaster Frame	IS - Insect Screen	<ul style="list-style-type: none"> <li>Largest single section is 48x48</li> </ul>
All Dimensions ±1/16"			

Model: XG-LTC-6

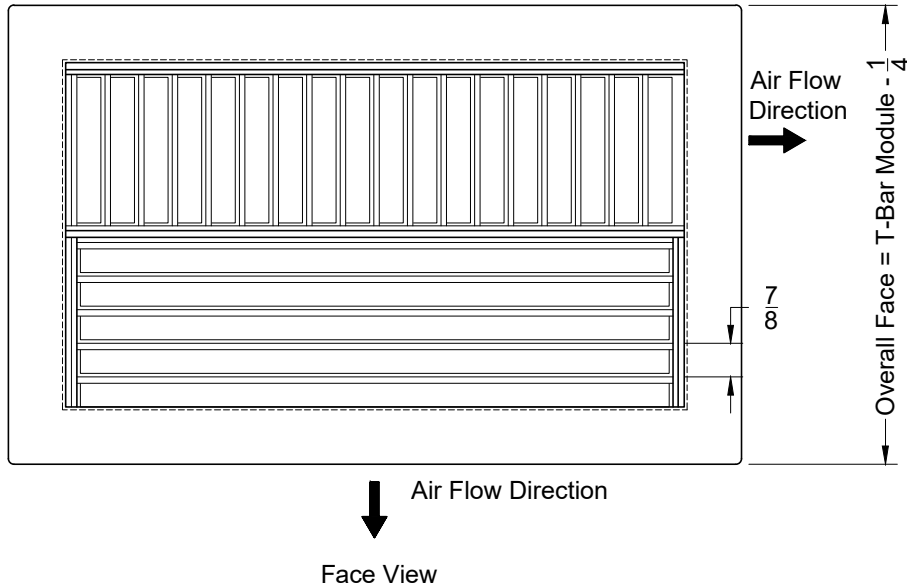
Two Way Corner Blow Pattern - T-Bar Lay-In

### XG-LTC-6 - T-Bar Lay-In



Standard Module Sizes	
Neck 1	Neck 2
12	x 12
24	x 24
24	x 12
48	x 24
48	x 48

Rectangular Neck Sizes Available	
Min	Max
4	24

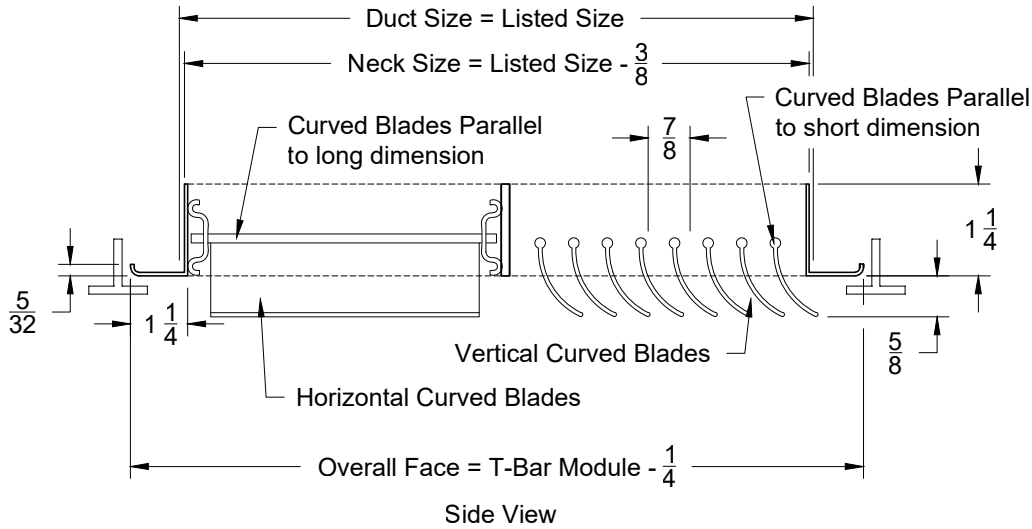


1. Available Finishes	2. Available Accessories	3. Available Options	4. Construction Details
Standard Finish: 01 White Finish 24 Mill Finish Optional Finish 02 Satin Silver 03 Black 28 Custom Color	XG-OBD - Steel Opposed Blade Damper XG-OBDA - Aluminum OBD XG-L9 - Equalizing Grid XG-PF - Plaster Frame XG-TR-Deep - Deep Transtion XG-LIPF - Lay-In Plaster Frame	IS - Insect Screen	<ul style="list-style-type: none"> <li>Largest single section is 48x48</li> </ul>

All Dimensions ±1/16"

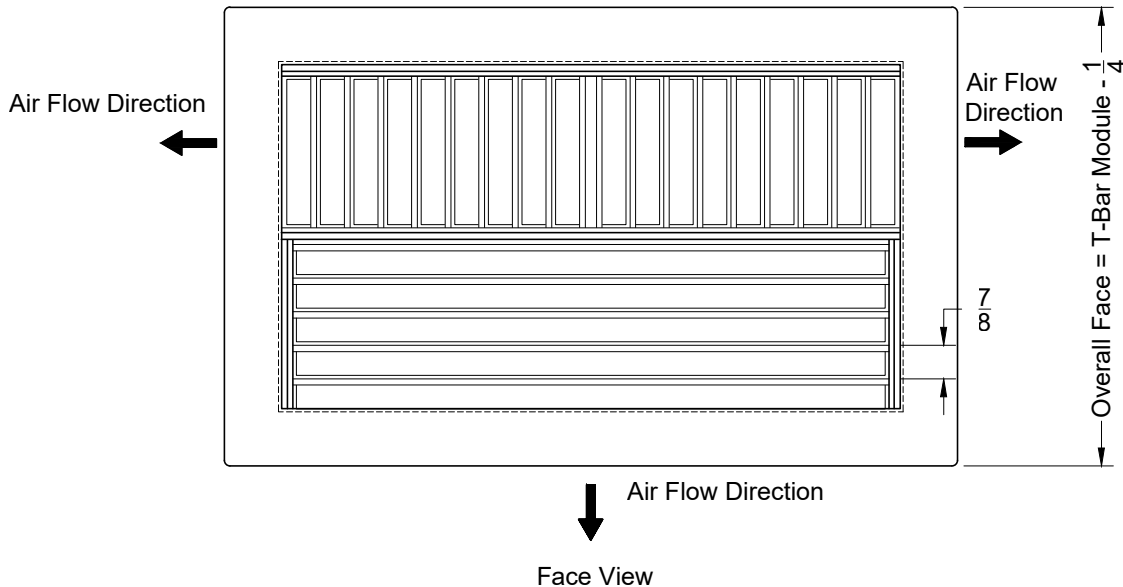
Model: XG-LTC3-6      Three Way Corner Blow Pattern - T-Bar Lay-In

#### XG-LTC3-6 - T-Bar Lay-In



Standard Module Sizes	
Neck 1	Neck 2
12	x 12
24	x 24
24	x 12
48	x 24
48	x 48

Rectangular Neck Sizes Available	
Min	Max
4	24

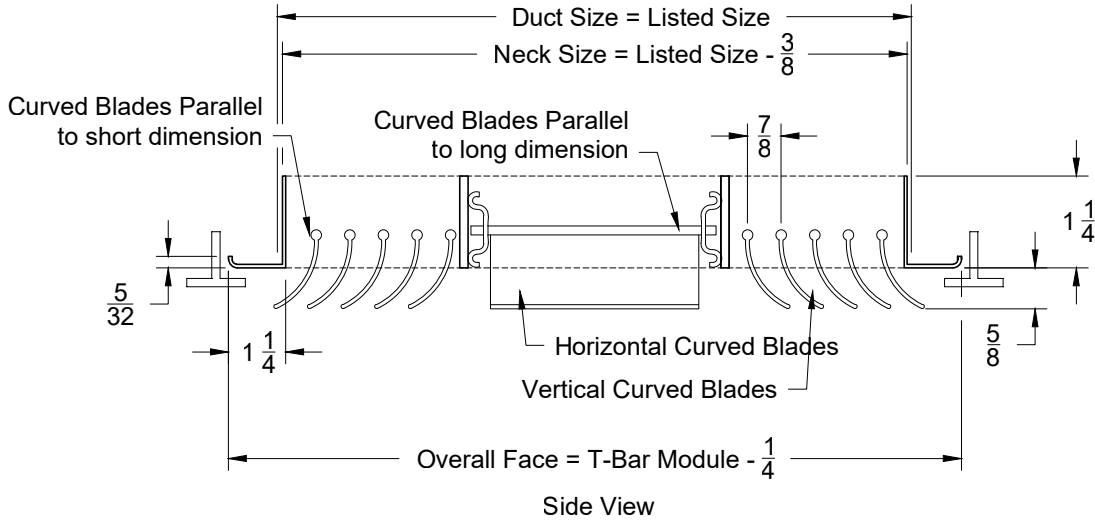


1. Available Finishes	2. Available Accessories	3. Available Options	4. Construction Details
Standard Finish: 01 White Finish 24 Mill Finish Optional Finish 02 Satin Silver 03 Black 28 Custom Color	XG-OBD - Steel Opposed Blade Damper XG-OBDA - Aluminum OBD XG-L9 - Equalizing Grid XG-PF - Plaster Frame XG-TR-Deep - Deep Transtion XG-LIPF - Lay-In Plaster Frame	IS - Insect Screen	<ul style="list-style-type: none"> <li>Largest single section is 48x48</li> </ul>
All Dimensions ±1/16"			

Model: XG-LS3-6

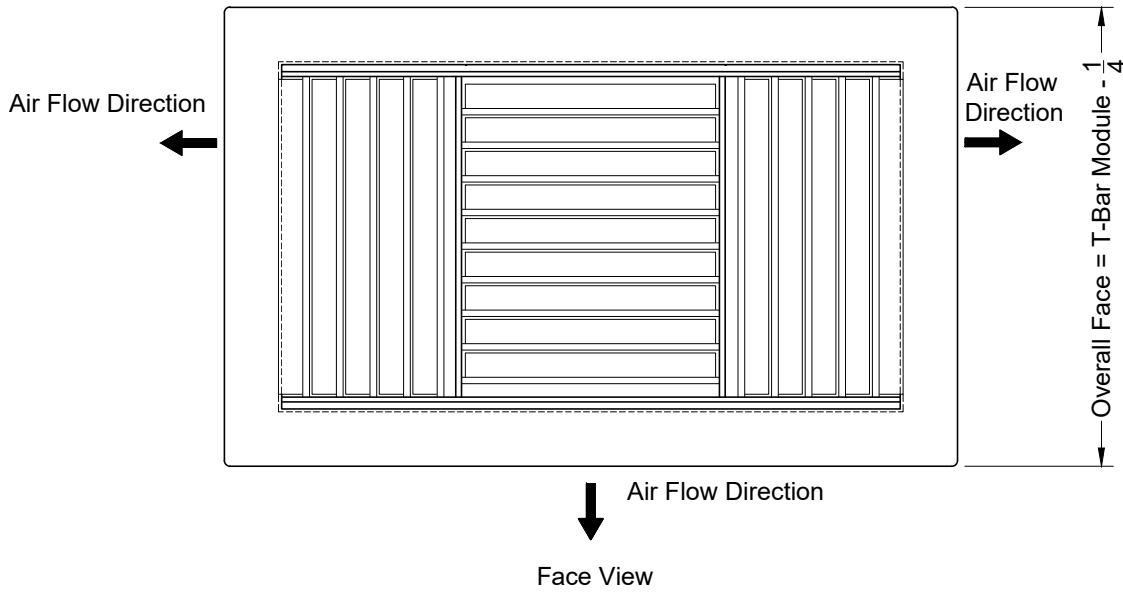
Three Way Blow Pattern - T-Bar Lay-In

### XG-LS3-6 - T-Bar Lay-In



Standard Module Sizes	
Neck 1	Neck 2
12	x 12
24	x 24
24	x 12
48	x 24
48	x 48

Rectangular Neck Sizes Available	
Min	Max
4	24



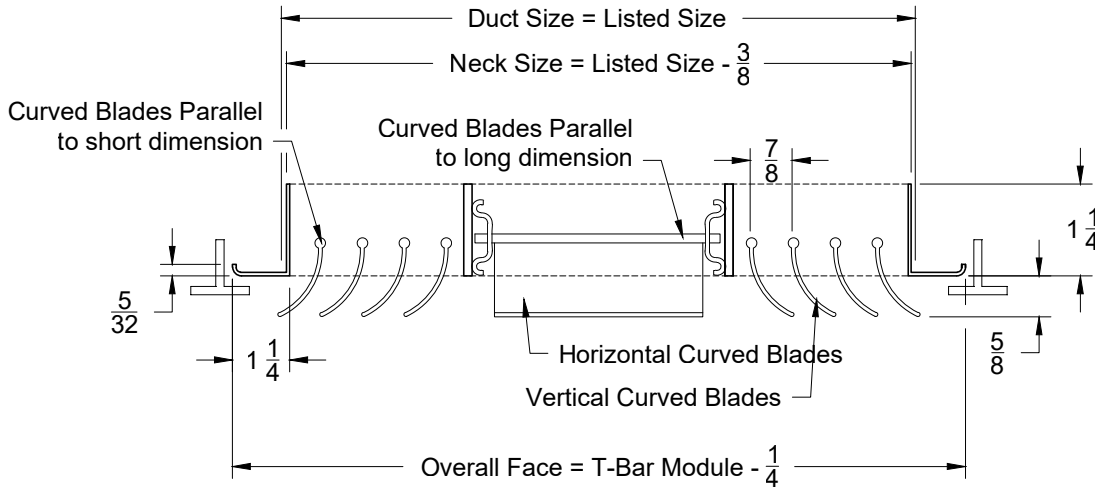
1. Available Finishes	2. Available Accessories	3. Available Options	4. Construction Details
Standard Finish: 01 White Finish 24 Mill Finish Optional Finish 02 Satin Silver 03 Black 28 Custom Color	XG-OBD - Steel Opposed Blade Damper XG-OBDA - Aluminum OBD XG-L9 - Equalizing Grid XG-PF - Plaster Frame XG-TR-Deep - Deep Transtion XG-LIPF - Lay-In Plaster Frame	IS - Insect Screen	<ul style="list-style-type: none"> <li>Largest single section is 48x48</li> </ul>

All Dimensions ±1/16"

Model: XG-LS4-6

Four Way Blow Pattern - T-Bar Lay-In

### XG-LS4-6 - T-Bar Lay-In

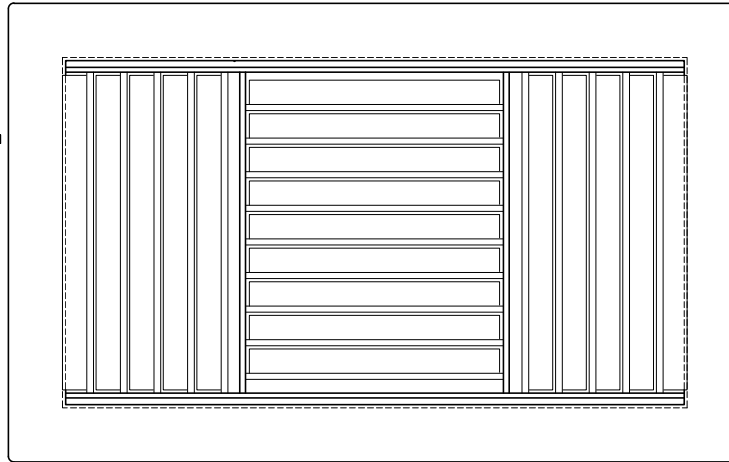


Side View



Air Flow Direction

Air Flow Direction



Air Flow Direction



Face View

Standard Module Sizes	
Neck 1	Neck 2
12	x 12
24	x 24
24	x 12
48	x 24
48	x 48

Rectangular Neck Sizes Available	
Min	Max
4	24

#### 1. Available Finishes

Standard Finish:  
01 White  
Finish  
24 Mill Finish  
Optional Finish  
02 Satin Silver  
03 Black  
28 Custom Color

#### 2. Available Accessories

XG-OBD - Steel Opposed Blade Damper  
XG-OBDA - Aluminum OBD  
XG-L9 - Equalizing Grid  
XG-PF - Plaster Frame  
XG-TR-Deep - Deep Transtion  
XG-LIPF - Lay-In Plaster Frame

#### 3. Available Options

IS - Insect Screen

#### 4. Construction Details

• Largest single section is 48x48

All Dimensions  $\pm 1/16"$