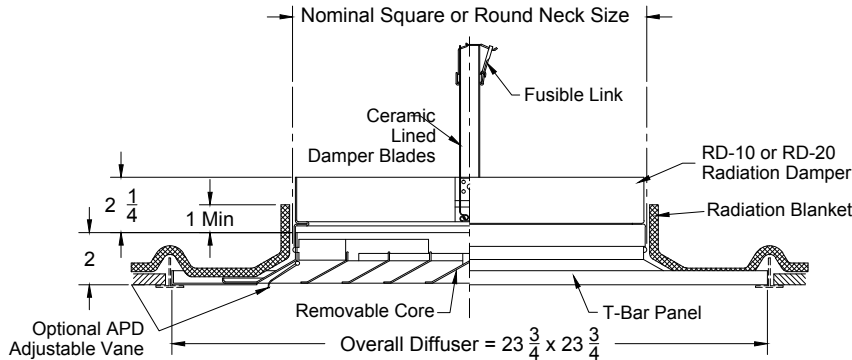


Fire Rated Systems - Supply Diffusers With Radiation Damper - 3 Hour Fire Rating Steel - Blanket For Lay in T-Bar Application

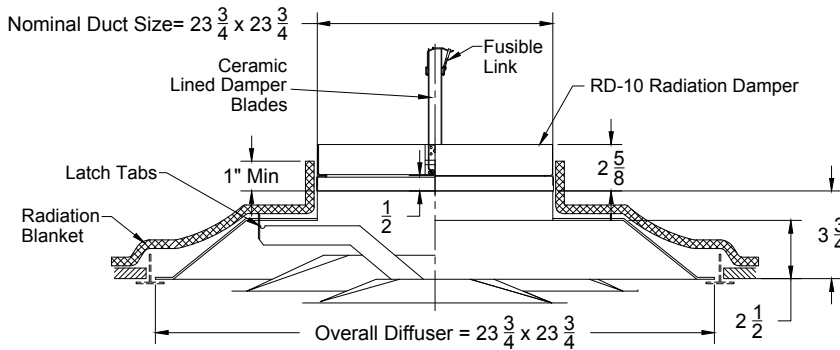
Models: **XG-5500S-6-FRS** Louver Face Diffuser - Square or Round Neck
XG-5700-6-FRS Square Diffuser - Two Cones
XG-5800-6-FRS Square Diffuser - Three Cones

Model: XG-5500-6-FRS (Louver Face Diffuser - Square or Round Neck)

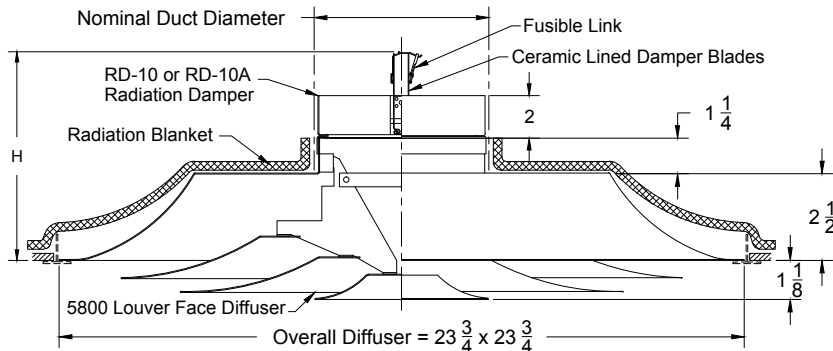


Round Neck Diameters	Square Neck Size
6	6 x 6
8	9 x 9
10	12 x 12
12	15 x 15
14	18 x 18
16	21 x 21

Model: XG-5700-6-FRS (Square Diffuser - Two Cones)



Model: XG-5800-6-FRS (Square Diffuser - Three Cones)



Listed Size	Duct Size	H
6/24	6	8
8/24	8	8 3/8
10/24	10	9 3/8
12/24	12	10 3/8
14/24	14	11 3/8
15/24	15	11 7/8

Notes: (check if provided)

1. Available Finishes	2. Available Accessories	3. Available Options	4. Construction Details
Standard Finish: 01 White. Optional Finishes (additional charge): 03 Black.		APD Air Pattern Deflectors. (Factory Mounted for 5500 FRS) 165°F Fusible Link.	<ul style="list-style-type: none"> Available only in listed sizes. Shipped only as listed. Available only in Lay in T-Bar 24" x 24". XG-5500 Available with 1,2 way opposite, 2 way corner 3 or 4 way air patterns.