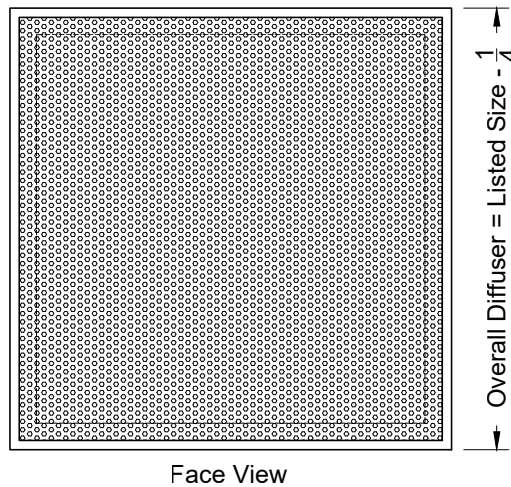
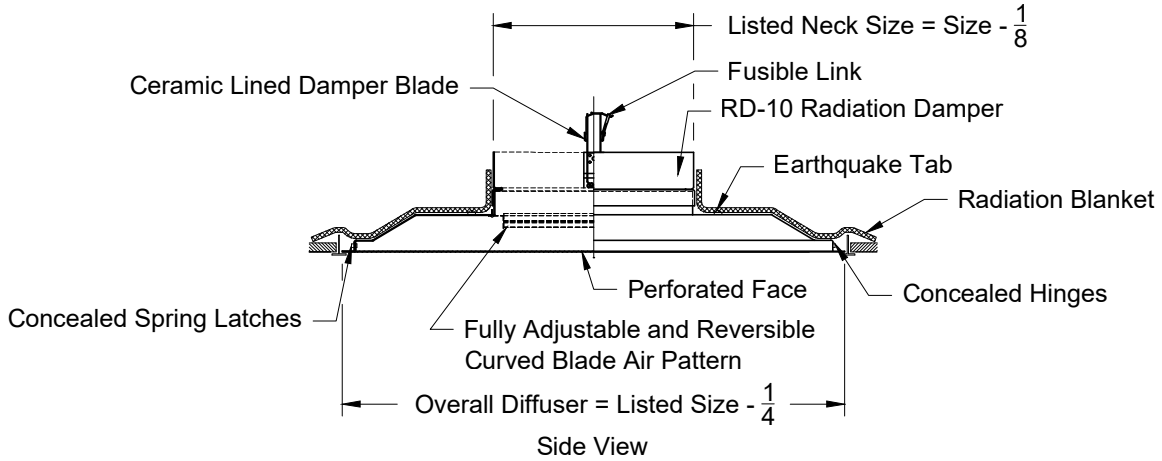


Model: XG-7600 FRS-6

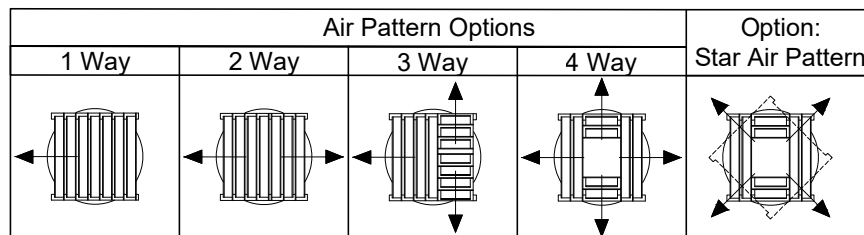
Neck Mounted Adjustable Damper - Perforated Face - Lay In T-Bar

XG-7600 FRS-6 - Lay in T-Bar



Listed Size
Nominal
Face
24 x 24

Available
Round Inlets
6
8
10
12
14
16



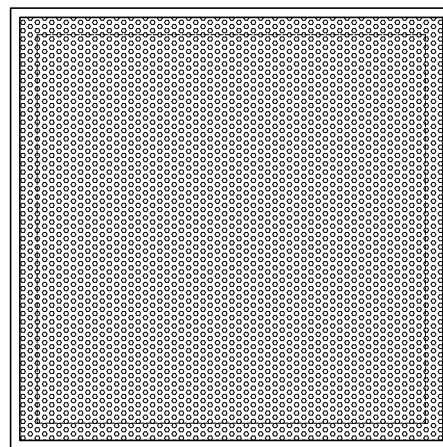
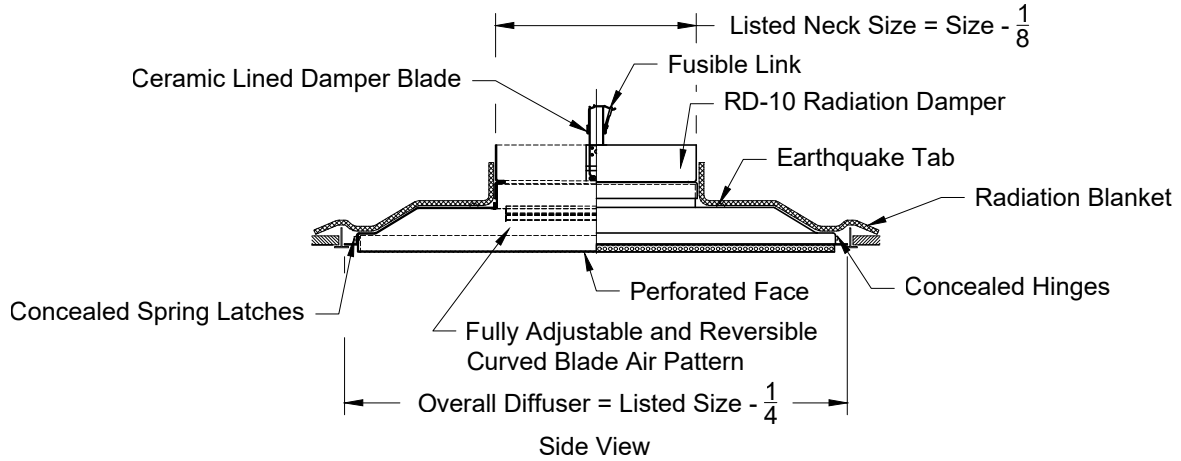
Changing 4-Way Air Pattern to Star Pattern Using Standard 4-Way Diffuser
Rotate Air Pattern Controller 45° for a More Radial "Star" Pattern Max Size 12 x 12

1. Available Finishes	2. Available Accessories	3. Available Options	4. Construction Details
Standard Finish: 01 White Optional Finish: 02 Satin Silver 03 Black 22 BBP - Black Backpan White Face 28 Custom Color			<ul style="list-style-type: none"> • Steel Construction (Standard) • Sizes Available only as listed • Face is Hinged • Fuse Links 165° Standard

All Dimensions ±1/16"

Model: XG-7600DF FRS-6 Neck Mounted Adjustable Damper - Perforated Drop Face - Lay In T-Bar

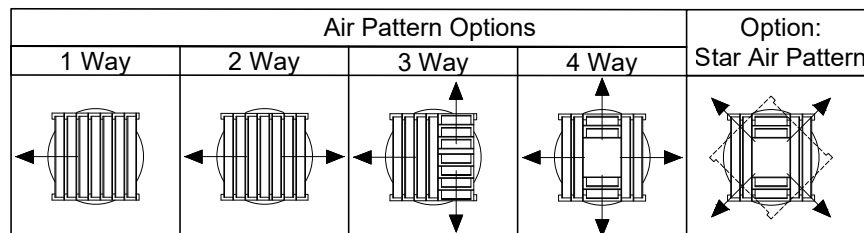
XG-7600DF FRS-6 - Lay in T-Bar



Overall Diffuser = Listed Size - $\frac{1}{4}$

Listed Size
Nominal
Face
24 x 24

Available
Round Inlets
6
8
10
12
14
16



Changing 4-Way Air Pattern to Star Pattern Using Standard 4-Way Diffuser
Rotate Air Pattern Controller 45° for a More Radial "Star" Pattern Max Size 12 x 12

1. Available Finishes	2. Available Accessories	3. Available Options	4. Construction Details
Standard Finish: 01 White Optional Finish: 02 Satin Silver 03 Black 22 BBP - Black Backpan White Face 28 Custom Color			<ul style="list-style-type: none"> • Steel Construction (Standard) • Sizes Available only as listed • Face is Hinged • Fuse Links 165° Standard

All Dimensions ±1/16"