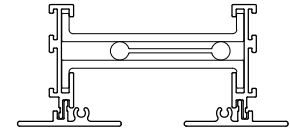
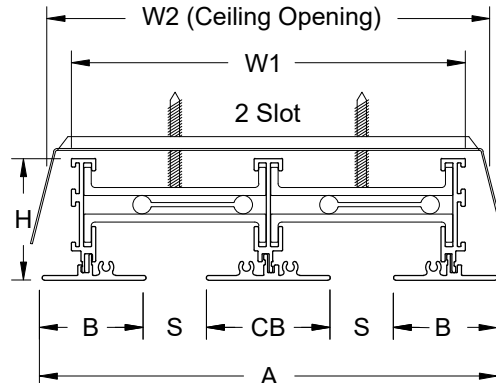
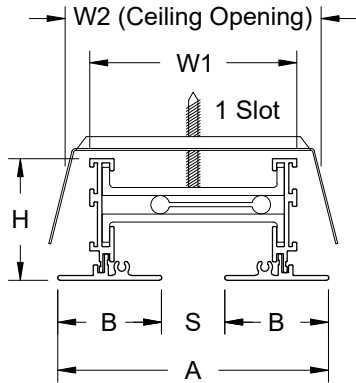
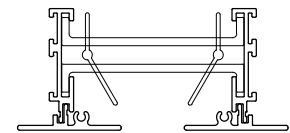


Model: XG-AFLC-AA Concealed Mounting - Border A & Border A - Exposed Face

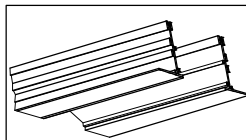
XG-AFLC-AA - Exposed Face



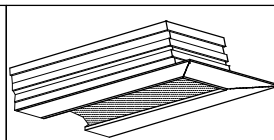
Standard Blade



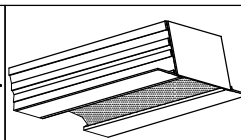
Combo Blades



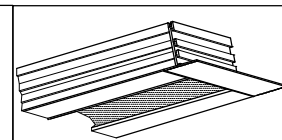
Open End



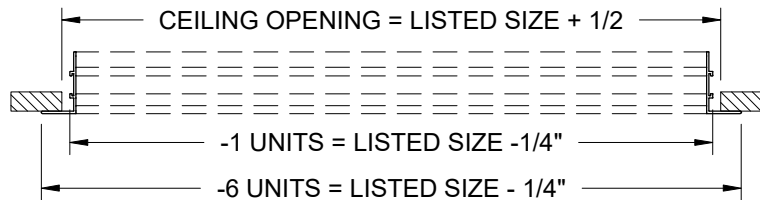
Mitered Border



End Cap



End Border



Model	Face Width		Neck Width				B	CB	H	
	S	A	A	W1	W2	W1				W2
XG-AFLC-10	1	4 1/4	7 3/16	3 1/4	4	6 3/16	6 15/16	1 5/8	1 15/16	2
XG-AFLC-15	1 1/2	4 3/4	8 3/16	3 3/4	4 1/2	7 3/16	7 15/16	1 5/8	1 15/16	2
XG-AFLC-20	2	5 1/4	9 3/16	4 1/4	5	8 3/16	8 15/16	1 5/8	1 15/16	2
XG-AFLC-25	2 1/2	6 3/4	12 3/16	5 3/4	6 1/2	11 3/16	11 15/16	2 1/8	2 15/16	2 1/2
XG-AFLC-30	3	7 1/4	13 3/16	6 1/4	7	12 3/16	12 15/16	2 1/8	2 15/16	2 1/2

1. Available Finishes

Standard Finish:
20 - White Face and Black Interior
Optional Finish
02 - Satin Silver Face and Black Interior
03 - Black Face and Black Interior
28 - Custom Face Color and Black Interior

2. Available Accessories

3. Available Options

1EC - (1) End Cap
2EC - (2) End Caps
1EB - (1) End Border
2EB - (2) End Borders
OO - Open / Open
MM - Mitered / Mitered
MO - Mitered / Open

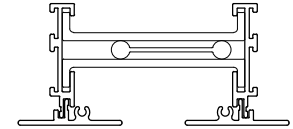
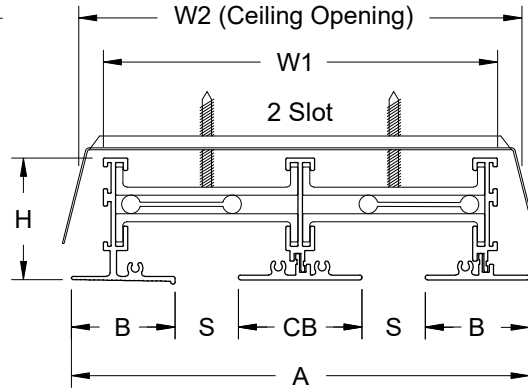
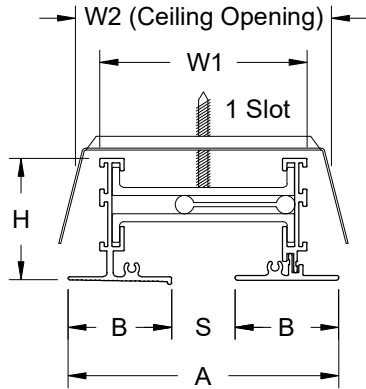
4. Construction Details

- Material Extruded Aluminum
- C - Combo Pattern Controller
- S - Standard Pattern Controller
- Standard Single Section size: (12" minimum - 96" maximum)
- Lengths larger than 96" made in multiple sections

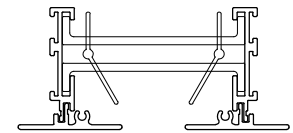
All Dimensions ±1/16"

Model: XG-AFLC-AC Concealed Mounting - Border A & Borders C - Exposed Face & Concealed Tape and Spackle

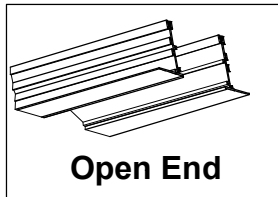
XG-AFLC-AC - Exposed Face & Concealed Tape and Spackle



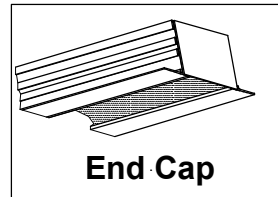
Standard Blade



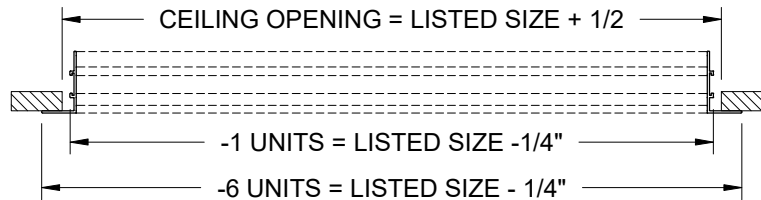
Combo Blades



Open End



End Cap



Model	Face Width		Neck Width				B	CB	H	
	S	A	A	W1	W2	W1				W2
XG-AFLC-10	1	4 1/4	7 3/16	3 1/4	4	6 3/16	6 15/16	1 5/8	1 15/16	2
XG-AFLC-15	1 1/2	4 3/4	8 3/16	3 3/4	4 1/2	7 3/16	7 15/16	1 5/8	1 15/16	2
XG-AFLC-20	2	5 1/4	9 3/16	4 1/4	5	8 3/16	8 15/16	1 5/8	1 15/16	2
XG-AFLC-25	2 1/2	6 3/4	12 3/16	5 3/4	6 1/2	11 3/16	11 15/16	2 1/8	2 15/16	2 1/2
XG-AFLC-30	3	7 1/4	13 3/16	6 1/4	7	12 3/16	12 15/16	2 1/8	2 15/16	2 1/2

1. Available Finishes

Standard Finish:
20 - White Face and Black Interior
Optional Finish
02 - Satin Silver Face and Black Interior
03 - Black Face and Black Interior
28 - Custom Face Color and Black Interior

2. Available Accessories

3. Available Options

1EC - (1) End Cap
2EC - (2) End Caps
1EB - (1) End Border
2EB - (2) End Borders
OO - Open / Open
MM - Mitered / Mitered
MO - Mitered / Open

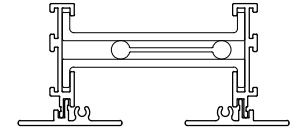
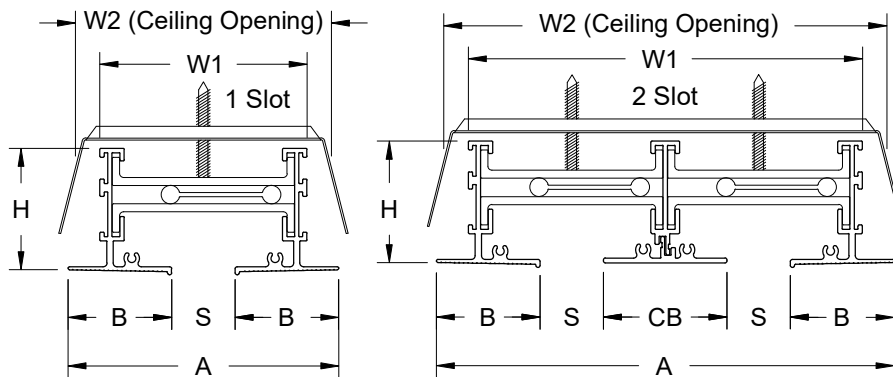
4. Construction Details

- Material Extruded Aluminum
- C - Combo Pattern Controller
- S - Standard Pattern Controller
- Standard Single Section size: (12" minimum - 96" maximum)
- Lengths larger than 96" made in multiple sections

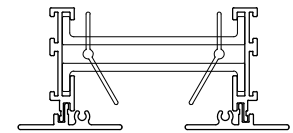
All Dimensions ±1/16"

Model: XG-AFLC-CC Concealed Mounting - Border C & Border C - Concealed Tape and Spackle

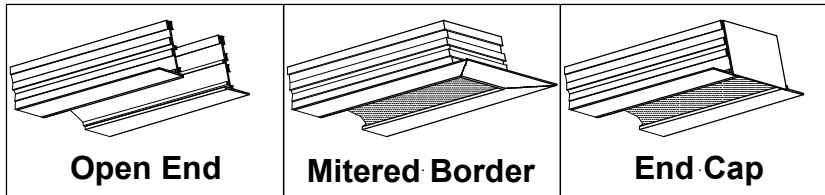
XG-AFLC-CC - Concealed Tape and Spackle



Standard Blade



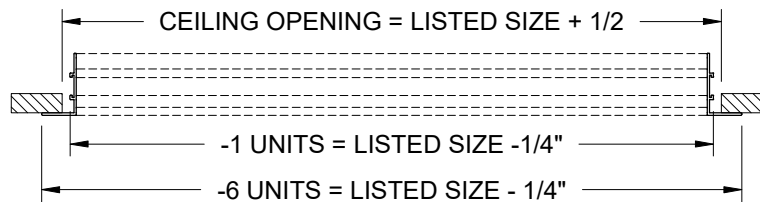
Combo Blades



Open End

Mitered Border

End Cap



Model	Face Width		Neck Width				B	CB	H	
	S	A	A	W1	W2	W1				W2
	Slot Width	1 Slot	2 Slot	1 Slot	1 Slot	2 Slot				2 Slot
XG-AFLC-10	1	4 1/4	7 3/16	3 1/4	4	6 3/16	6 15/16	1 5/8	1 15/16	2
XG-AFLC-15	1 1/2	4 3/4	8 3/16	3 3/4	4 1/2	7 3/16	7 15/16	1 5/8	1 15/16	2
XG-AFLC-20	2	5 1/4	9 3/16	4 1/4	5	8 3/16	8 15/16	1 5/8	1 15/16	2
XG-AFLC-25	2 1/2	6 3/4	12 3/16	5 3/4	6 1/2	11 3/16	11 15/16	2 1/8	2 15/16	2 1/2
XG-AFLC-30	3	7 1/4	13 3/16	6 1/4	7	12 3/16	12 15/16	2 1/8	2 15/16	2 1/2

1. Available Finishes

Standard Finish:
20 - White Face and Black Interior
Optional Finish
02 - Satin Silver Face and Black Interior
03 - Black Face and Black Interior
28 - Custom Face Color and Black Interior

2. Available Accessories

3. Available Options

1EC - (1) End Cap
2EC - (2) End Caps
1EB - (1) End Border
2EB - (2) End Borders
OO - Open / Open
MM - Mitered / Mitered
MO - Mitered / Open

4. Construction Details

- Material Extruded Aluminum
- C - Combo Pattern Controller
- S - Standard Pattern Controller
- Standard Single Section size: (12" minimum - 96" maximum)
- Lengths larger than 96" made in multiple sections

All Dimensions ±1/16"