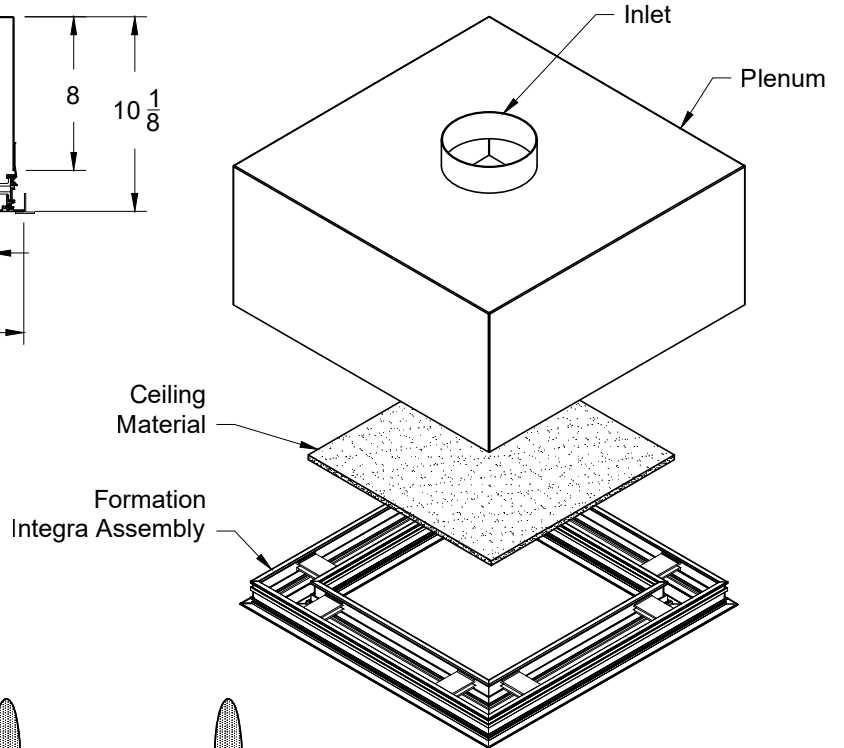
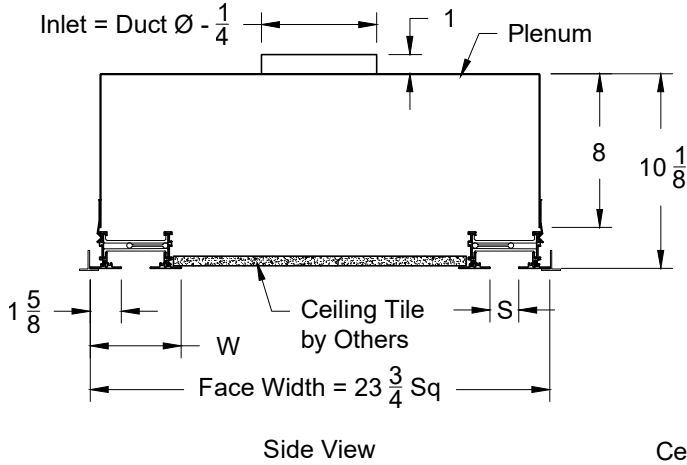
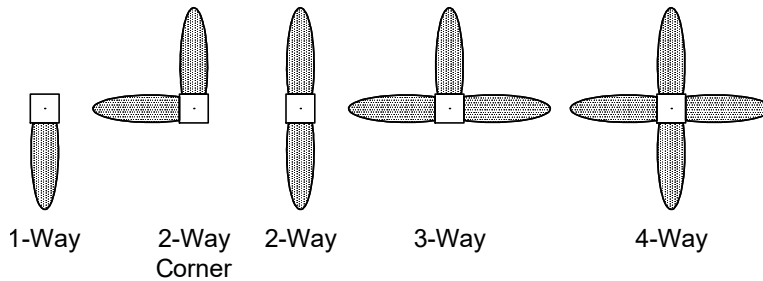


Model: XG-AFLI      Integra Supply - Lay-In T-Bar

### XG-AFLI - Lay-In T-Bar



### Optional Supply Air Patterns



Models	T-Bar Module	Insulation	Slot Width (S)	Slots	Width (W)	Round Inlets Available
AFLI-10	Lay-In	No	1	1	4 1/4	6, 8, 10, 12
AFLI-15	Lay-In	No	1 1/2	1	4 3/4	6, 8, 10, 12
AFLI-20	Lay-In	No	2	1	5 1/4	6, 8, 10, 12

#### Standard Finish:

- 02 - Satin Silver Face and Black Interior
- 03 - Black Face and Black Interior
- 20 - White Face and Black Interior
- 28 - Custom Face Color and Black Interior

#### Optional Finish:

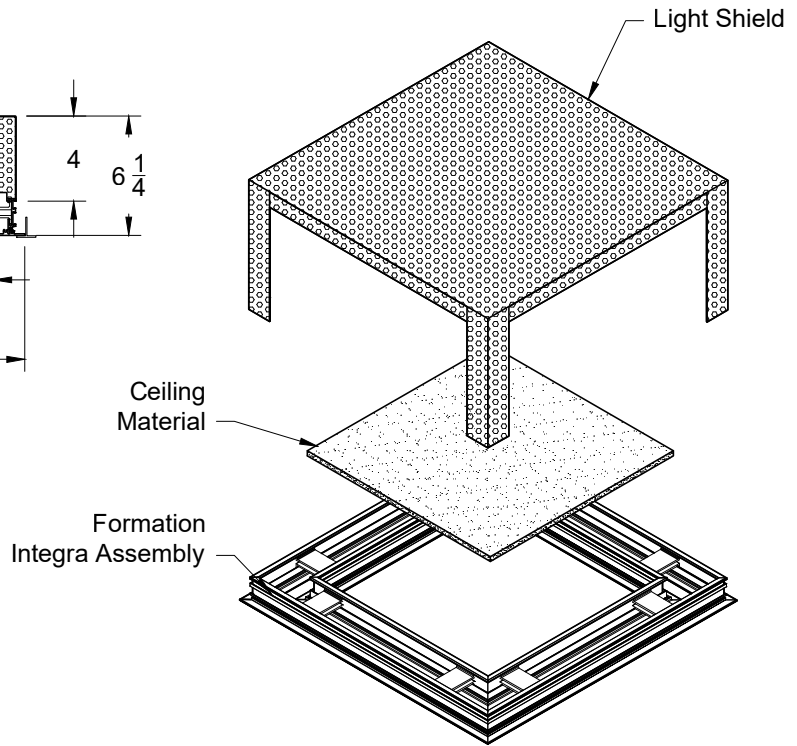
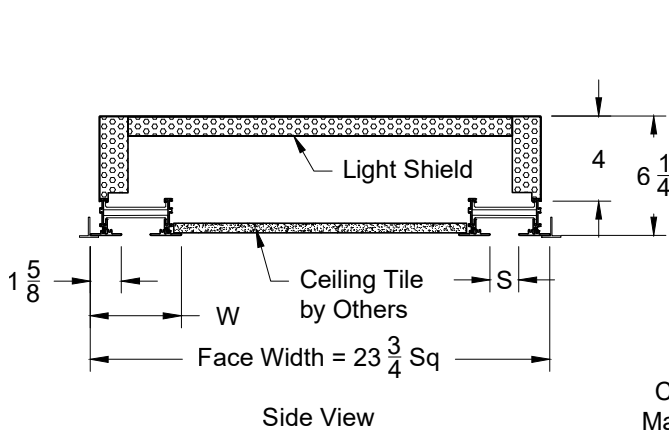
- 28 - Custom Face Color and Black Interior

Material Extruded Aluminum  
C - Combo Pattern Controller  
S - Straight Pattern Controller  
Available only in 24x24  
Available in 1 Slot only

All Dimensions  $\pm 1/16$ "

Model: XG-AFLIR      Integra Return - Lay-In T-Bar

### XG-AFLIR - Lay-In T-Bar



Models	T-Bar Module	Insulation	Slot Width (S)	Slots	Width (W)	Round Inlets Available
AFLIR-10	Lay-In	No	1	1	4 1/4	6, 8, 10, 12
AFLIR-15	Lay-In	No	1 1/2	1	4 3/4	6, 8, 10, 12
AFLIR-20	Lay-In	No	2	1	5 1/4	6, 8, 10, 12

**Standard Finish:**

- 02 - Satin Silver Face and Black Interior
- 03 - Black Face and Black Interior
- 20 - White Face and Black Interior
- 28 - Custom Face Color and Black Interior

**Optional Finish:**

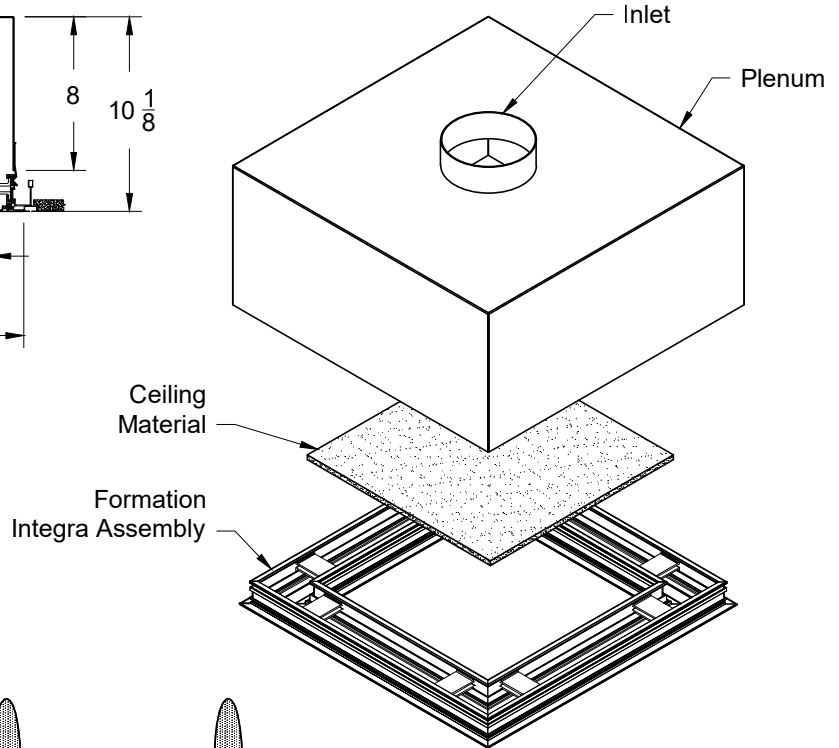
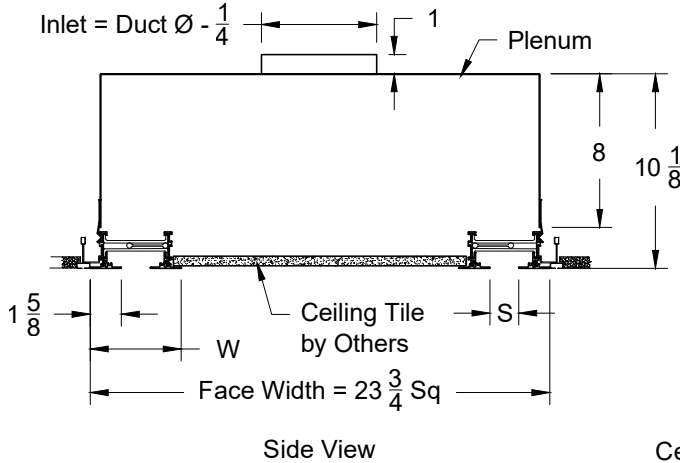
- 28 - Custom Face Color and Black Interior

Material Extruded Aluminum  
 C - Combo Pattern Controller  
 S - Straight Pattern Controller  
 Available only in 24x24  
 Available in 1 Slot only

All Dimensions ±1/16"

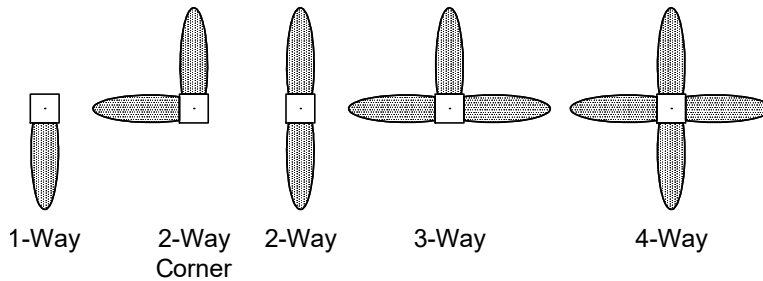
Model: XG-AFLIB      Integra Supply - Bolt Slot / Donn Finline - T-Bar

### XG-AFLIB - Bolt Slot / Donn Finline - T-Bar



Integra Supply  
3D View

#### Optional Supply Air Patterns



Models	T-Bar Module	Insulation	Slot Width (S)	Slots	Width (W)	Round Inlets Available
AFLIB-10	Bolt Slot	No	1	1	4 1/4	6, 8, 10, 12
AFLIB-15	Bolt Slot	No	1 1/2	1	4 3/4	6, 8, 10, 12
AFLIB-20	Bolt Slot	No	2	1	5 1/4	6, 8, 10, 12

#### Standard Finish:

- 02 - Satin Silver Face and Black Interior
- 03 - Black Face and Black Interior
- 20 - White Face and Black Interior
- 28 - Custom Face Color and Black Interior

#### Optional Finish:

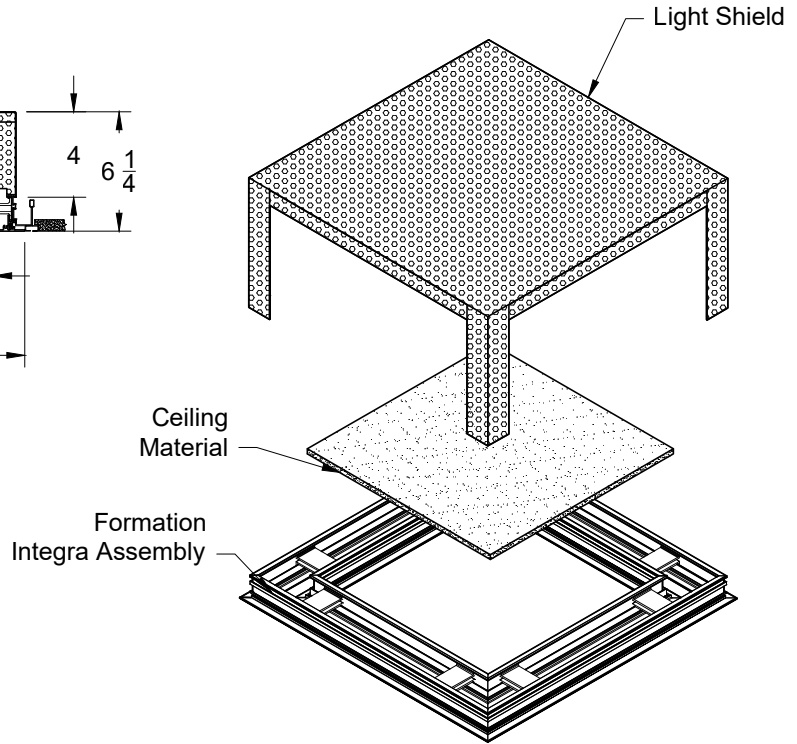
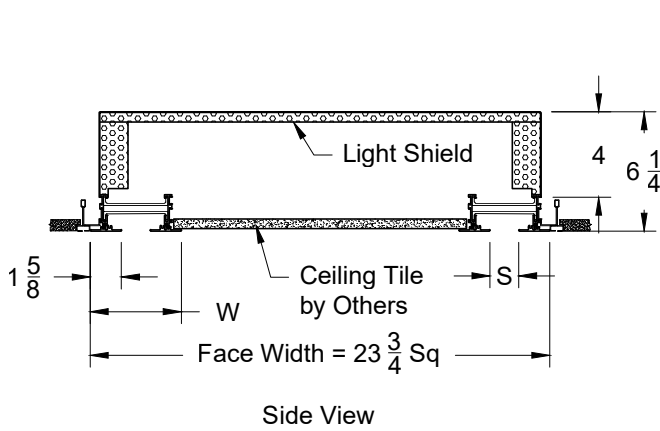
- 28 - Custom Face Color and Black Interior

Material Extruded Aluminum  
C - Combo Pattern Controller  
S - Straight Pattern Controller  
Available only in 24x24  
Available in 1 Slot only

All Dimensions  $\pm 1/16$ "

Model: XG-AFLIBR      Integra Return - Bolt Slot / Donn Finline - T-Bar

### XG-AFLIBR - Bolt Slot / Donn Finline - T-Bar



Models	T-Bar Module	Insulation	Slot Width (S)	Slots	Width (W)	Round Inlets Available
AFLIBR-10	Bolt Slot	No	1	1	4 1/4	6, 8, 10, 12
AFLIBR-15	Bolt Slot	No	1 1/2	1	4 3/4	6, 8, 10, 12
AFLIBR-20	Bolt Slot	No	2	1	5 1/4	6, 8, 10, 12

**Standard Finish:**

- 02 - Satin Silver Face and Black Interior
- 03 - Black Face and Black Interior
- 20 - White Face and Black Interior
- 28 - Custom Face Color and Black Interior

**Optional Finish:**

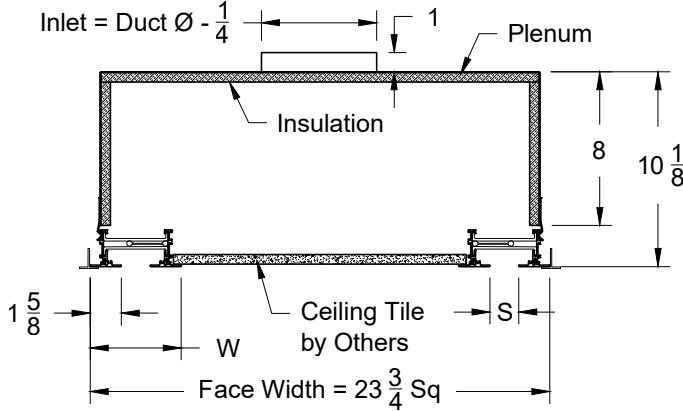
- 28 - Custom Face Color and Black Interior

Material Extruded Aluminum  
C - Combo Pattern Controller  
S - Straight Pattern Controller  
Available only in 24x24  
Available in 1 Slot only

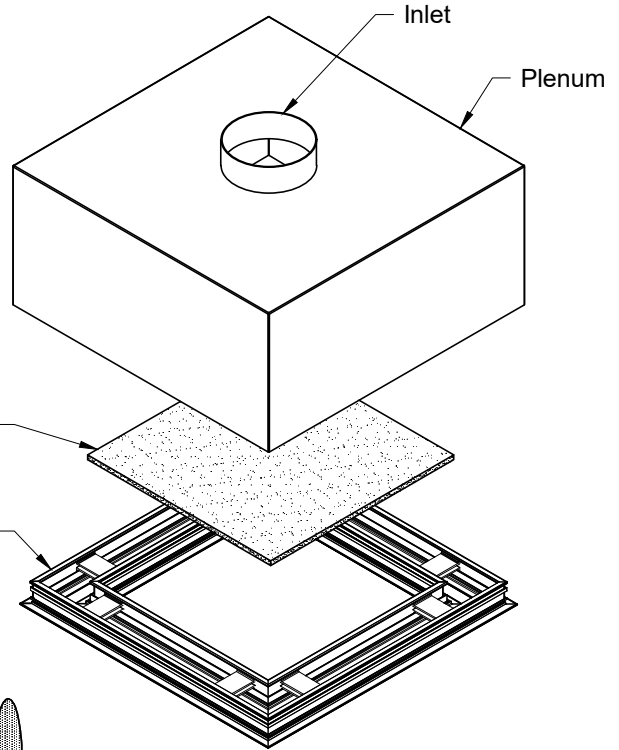
All Dimensions ±1/16"

Model: XG-AFLII      Integra Supply with Insulation - Lay-In T-Bar

#### XG-AFLII - Lay-In T-Bar



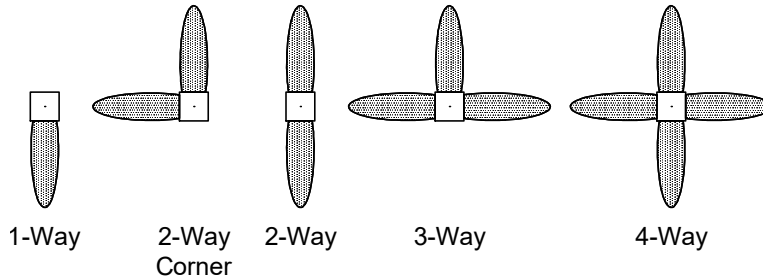
Side View



Ceiling Material  
Formation  
Integra Assembly

Integra Supply  
3D View

#### Optional Supply Air Patterns



Models	T-Bar Module	Insulation	Slot Width (S)	Slots	Width (W)	Round Inlets Available
AFLII-10	Lay-In	No	1	1	4 1/4	6, 8, 10, 12
AFLII-15	Lay-In	No	1 1/2	1	4 3/4	6, 8, 10, 12
AFLII-20	Lay-In	No	2	1	5 1/4	6, 8, 10, 12

#### Standard Finish:

- 02 - Satin Silver Face and Black Interior
- 03 - Black Face and Black Interior
- 20 - White Face and Black Interior
- 28 - Custom Face Color and Black Interior

#### Optional Finish:

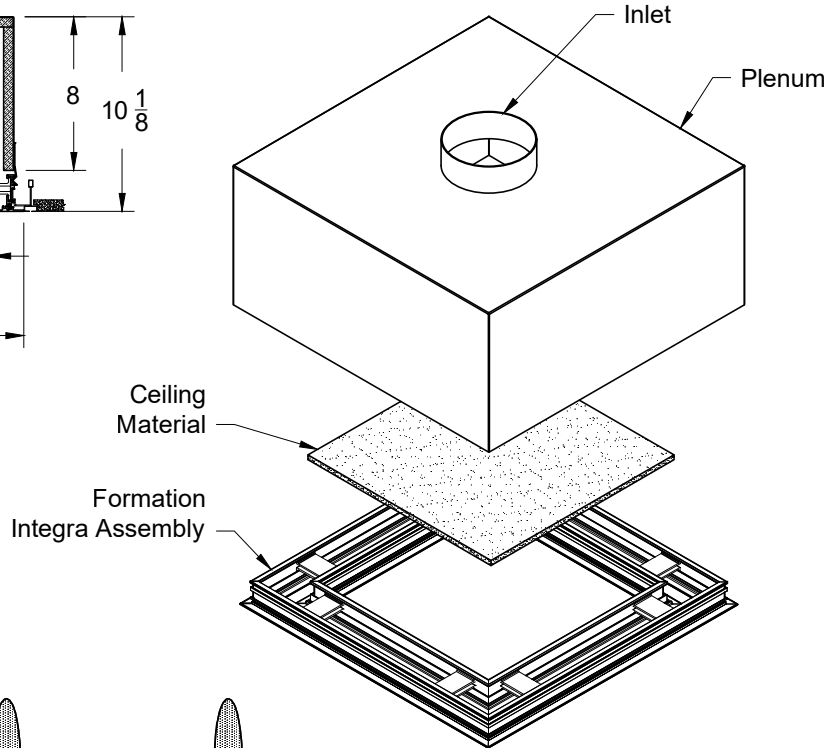
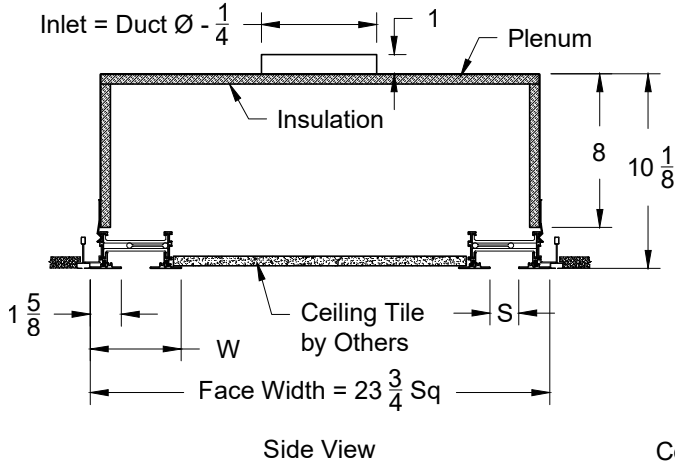
- 28 - Custom Face Color and Black Interior

Material Extruded Aluminum  
C - Combo Pattern Controller  
S - Straight Pattern Controller  
Available only in 24x24  
Available in 1 Slot only

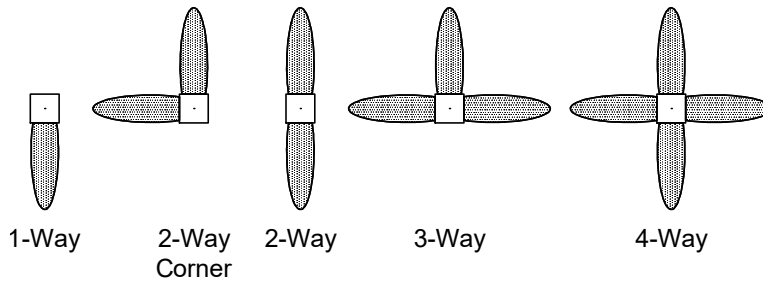
All Dimensions ±1/16"

Model: XG-AFLIIB      Integra Supply with Insulation - Bolt Slot / Donn Finline - T-Bar

#### XG-AFLIIB - Bolt Slot / Donn Finline - T-Bar



#### Optional Supply Air Patterns



Models	T-Bar Module	Insulation	Slot Width (S)	Slots	Width (W)	Round Inlets Available
AFLIIB-10	Bolt Slot	No	1	1	4 1/4	6, 8, 10, 12
AFLIIB-15	Bolt Slot	No	1 1/2	1	4 3/4	6, 8, 10, 12
AFLIIB-20	Bolt Slot	No	2	1	5 1/4	6, 8, 10, 12

#### Standard Finish:

- 02 - Satin Silver Face and Black Interior
- 03 - Black Face and Black Interior
- 20 - White Face and Black Interior
- 28 - Custom Face Color and Black Interior

#### Optional Finish:

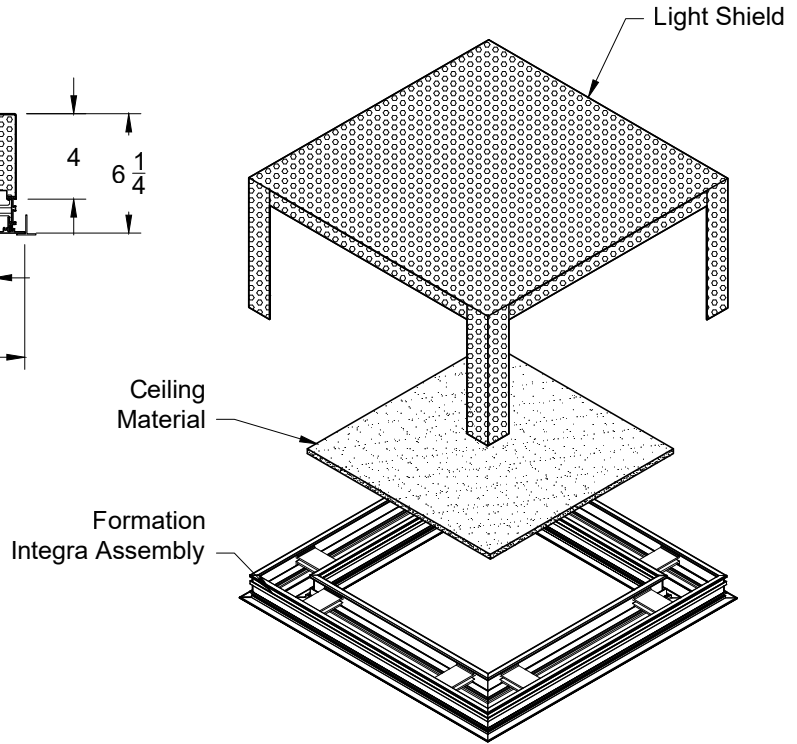
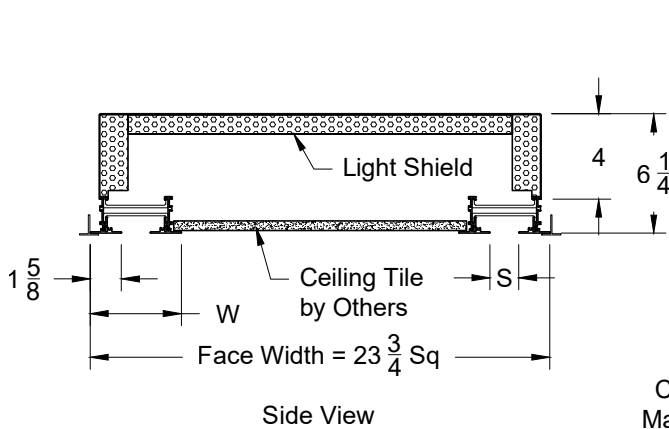
- 28 - Custom Face Color and Black Interior

Material Extruded Aluminum  
 C - Combo Pattern Controller  
 S - Straight Pattern Controller  
 Available only in 24x24  
 Available in 1 Slot only

All Dimensions ±1/16"

Model: XG-AFLIIBR      Integra Return with Insulation - Bolt Slot / Donn Finline - T-Bar

### XG-AFLIIBR - Bolt Slot / Donn Finline - T-Bar



Models	T-Bar Module	Insulation	Slot Width (S)	Slots	Width (W)	Round Inlets Available
AFLIBR-10	Lay-In	No	1	1	4 1/4	6, 8, 10, 12
AFLIBR-15	Lay-In	No	1 1/2	1	4 3/4	6, 8, 10, 12
AFLIBR-20	Lay-In	No	2	1	5 1/4	6, 8, 10, 12

**Standard Finish:**

- 02 - Satin Silver Face and Black Interior
- 03 - Black Face and Black Interior
- 20 - White Face and Black Interior
- 28 - Custom Face Color and Black Interior

**Optional Finish:**

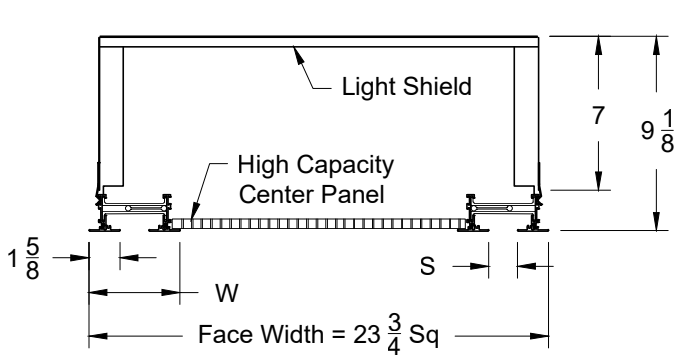
- 28 - Custom Face Color and Black Interior

Material Extruded Aluminum  
C - Combo Pattern Controller  
S - Straight Pattern Controller  
Available only in 24x24  
Available in 1 Slot only

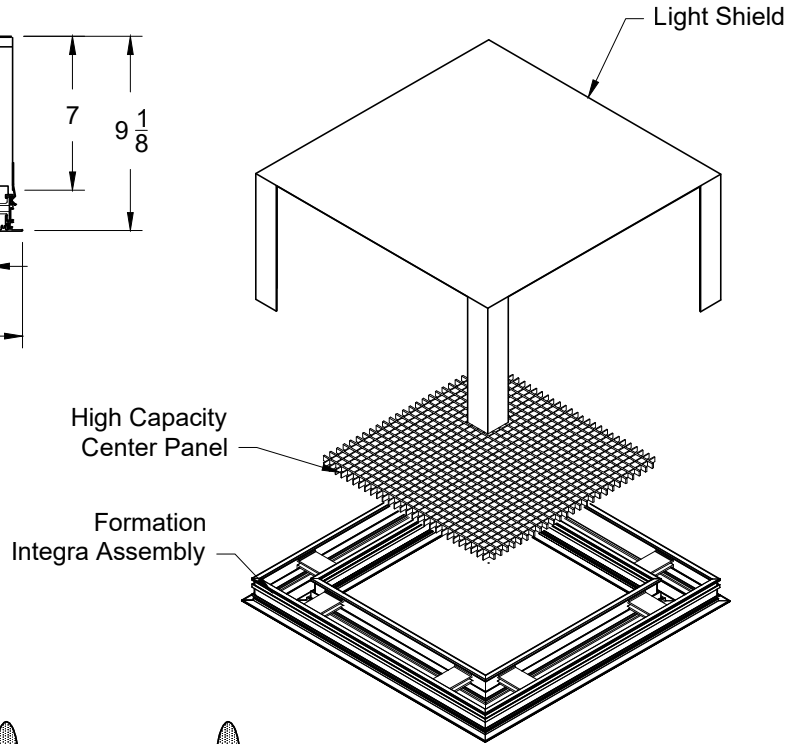
All Dimensions ±1/16"

Model: XG-AFLIH      Integra High Capacity Return - Lay-In T-Bar

### XG-AFLIH - Lay-In T-Bar

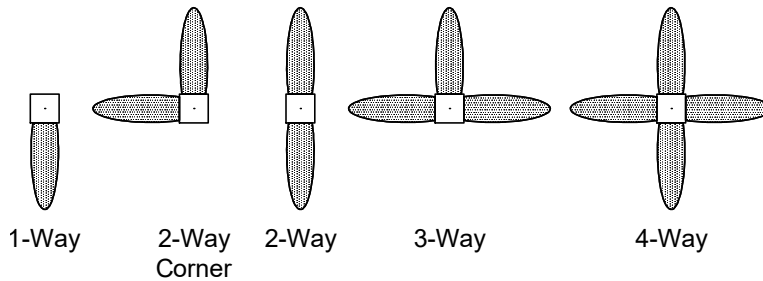


Side View



High Capacity Center Panel  
Formation Integra Assembly

### Optional Supply Air Patterns



Integra Supply  
3D View

Models	T-Bar Module	Insulation	Slot Width (S)	Slots	Width (W)	Round Inlets Available
AFLIH-10	Lay-In	No	1	1	4 1/4	6, 8, 10, 12
AFLIH-15	Lay-In	No	1 1/2	1	4 3/4	6, 8, 10, 12
AFLIH-20	Lay-In	No	2	1	5 1/4	6, 8, 10, 12

#### Standard Finish:

- 02 - Satin Silver Face and Black Interior
- 03 - Black Face and Black Interior
- 20 - White Face and Black Interior
- 28 - Custom Face Color and Black Interior

#### Optional Finish:

- 28 - Custom Face Color and Black Interior

Material Extruded Aluminum  
C - Combo Pattern Controller  
S - Straight Pattern Controller  
Available only in 24x24  
Available in 1 Slot only

All Dimensions ±1/16"