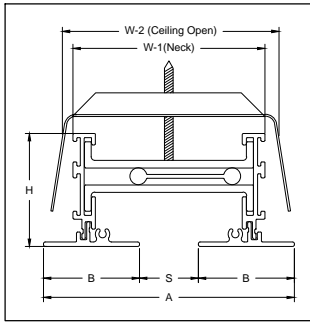
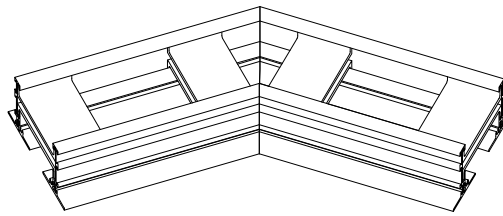


**Architectural Formation Linear
Accessories Mitered Corner 135**

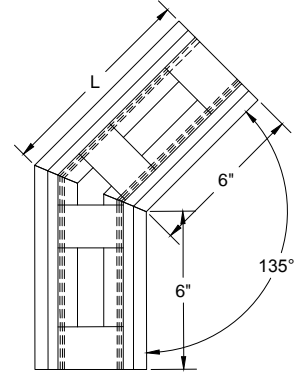
Model:	XG-AFLMC-10 135 1" Slot	XG-AFLMCC-10 135 1" Slot	1" Slot	Concealed Mount
	XG-AFLMC-15 135 1 1/2" Slot	XG-AFLMCC-15 135 1 1/2" Slot	1 1/2" Slot	Concealed Mount
	XG-AFLMC-20 135 2" Slot	XG-AFLMCC-20 135 2" Slot	2" Slot	Concealed Mount
	XG-AFLMC-25 135 2 1/2" Slot	XG-AFLMCC-25 135 2 1/2" Slot	2 1/2" Slot	Concealed Mount
	XG-AFLMC-30 135 3" Slot	XG-AFLMCC-30 135 3" Slot	3" Slot	Concealed Mount



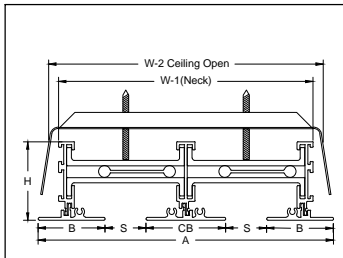
**1 Slot
XG-AFLMCC**



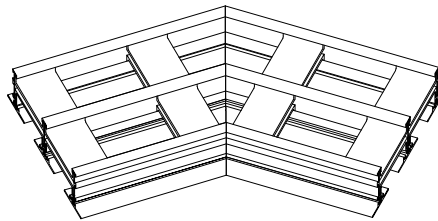
**Mitered Corner 135°
1 Slot**



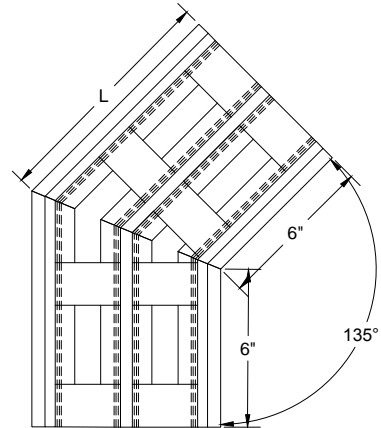
Mitered Corner 135° - Top View



**2 Slot
XG-AFLMCC**



**Mitered Corner 135°
2 Slot**



Mitered Corner 135° - Top View

Model: AFLMC/ AFLMCC 135 DEGREE									
Number of Slots	# of Slots	S	B	L	H	A	W-1	W-2 Ceiling Opening	
XG-AFLMC/AFLMCC-10-135	1	1	1 5/8	7 3/4	1 15/16	4 1/4	3 1/4	4	
XG-AFLMC/AFLMCC-15-135		1 1/2	1 5/8	7 15/16	1 15/16	4 3/4	3 3/4	4 1/2	
XG-AFLMC/AFLMCC-20-135		2	1 5/8	8 3/16	1 15/16	5 1/4	4 1/4	5	
XG-AFLMC/AFLMCC-25-135		2 1/2	2 1/8	8 13/16	2 9/16	6 3/4	5 3/4	6 1/2	
XG-AFLMC/AFLMCC-30-135		3	2 1/8	9	2 9/16	7 1/4	6 1/4	7	
Number of Slots	# of Slots	S	B	L	H	A	W-1	W-2 Ceiling Opening	CB
XG-AFLMC/AFLMCC-10-135	2	1	1 5/8	9	1 15/16	7 3/16	6 3/16	6 15/16	1 15/16
XG-AFLMC/AFLMCC-15-135		1 1/2	1 5/8	9 3/8	1 15/16	8 3/16	7 3/16	7 15/16	1 15/16
XG-AFLMC/AFLMCC-20-135		2	1 5/8	9 13/16	1 15/16	9 3/16	8 3/16	8 15/16	1 15/16
XG-AFLMC/AFLMCC-25-135		2 1/2	2 1/8	11 1/16	2 9/16	12 3/16	11 3/16	11 15/16	2 15/16
XG-AFLMC/AFLMCC-30-135		3	2 1/8	11 7/16	2 9/16	13 3/16	12 3/16	12 15/16	2 15/16

Notes: (check if provided)

W-2 Ceiling opening dimension is used for concealed mount models only.
For non-concealed mount models, please add 1/2" to the length and the width dimensions.