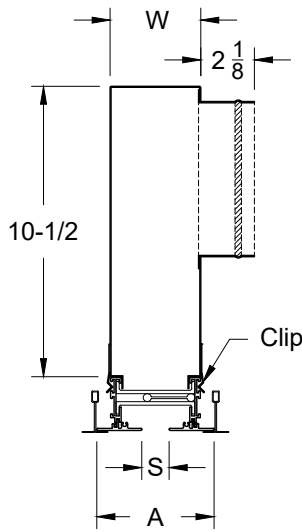


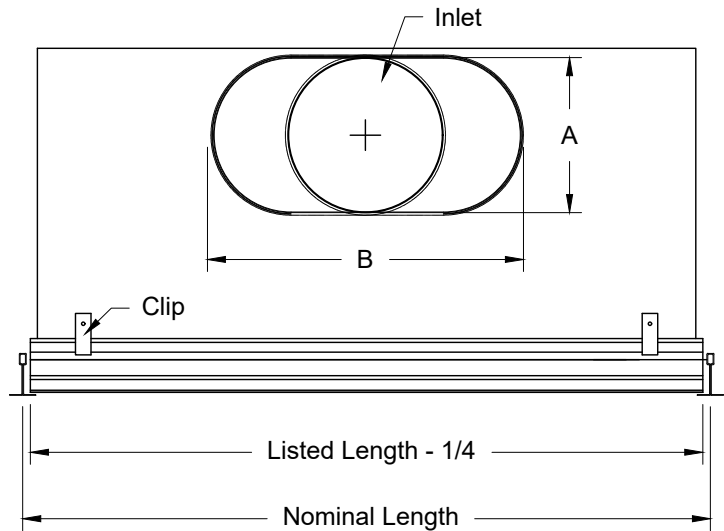
Model: XG-AFLTS

Architectural Formations Linear - Non Insulated - Lay In T-Bar

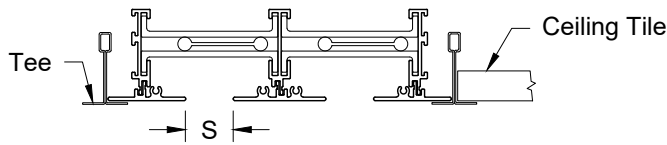
AFLTS - Lay-In T-Bar



Plenum End View



Plenum Side View



2 Slots

Inlet Chart			
Size	Type	A	B
6	Round	5 7/8	-
7	Oval	5 7/8	7 1/4
8	Oval	5 7/8	8 3/8
9	Oval	5 7/8	10
10	Oval	5 7/8	11 9/16
12	Oval	5 7/8	14 13/16
14	Oval	5 7/8	17 13/16

Models	S Slot Width	Face Width		Plenum Width		Nominal Lengths
		A	A	W	W	
		1 Slot	2 Slot	1 Slot	2 Slot	
AFLTS-10	1	4 1/4	7 3/16	3 1/4	6 3/16	24, 48, 60
AFLTS-15	1 1/2	4 3/4	8 3/16	3 3/4	7 3/16	24, 48, 60
AFLTS-20	2	5 1/4	9 3/16	4 1/4	8 3/16	24, 48, 60

1. Available Finishes

Standard Finish:
20 White Face -
Black Back
Optional Finish
28 Custom Color

2. Available Accessories

3. Available Options

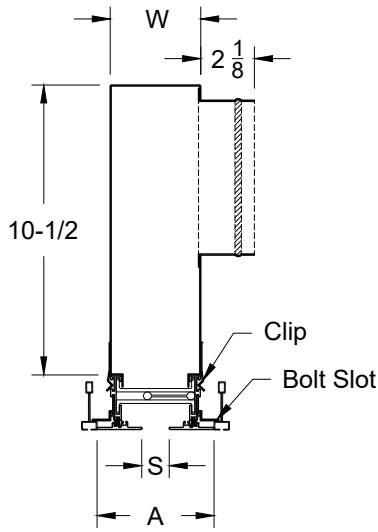
4. Construction Details

- Extruded Aluminum

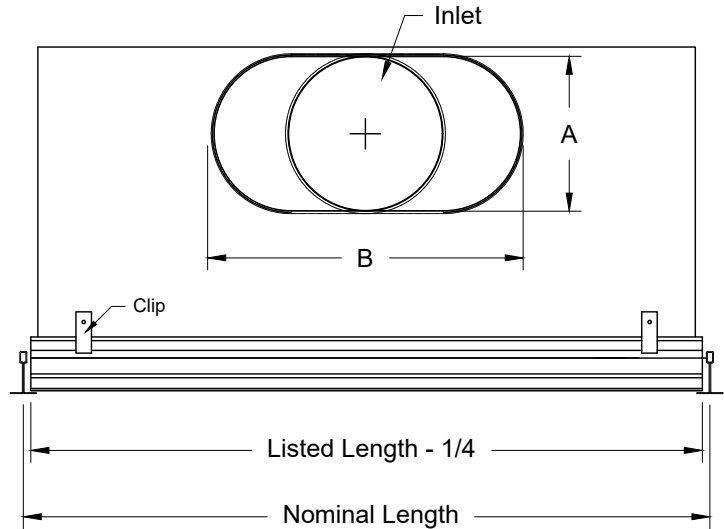
All Dimensions ±1/16"

Model: XG-AFLTSB Architectural Formations Linear - Non Insulated - Bolt Slot

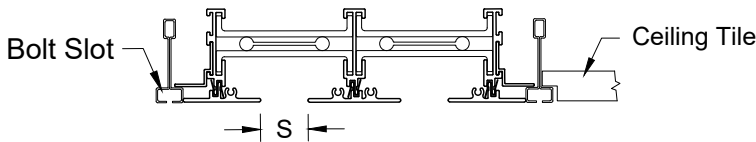
AFLTSB - Bolt Slot



Plenum End View



Plenum Side View



2 Slots

Inlet Chart			
Size	Type	A	B
6	Round	5 7/8	-
7	Oval	5 7/8	7 1/4
8	Oval	5 7/8	8 3/8
9	Oval	5 7/8	10
10	Oval	5 7/8	11 9/16
12	Oval	5 7/8	14 13/16
14	Oval	5 7/8	17 13/16

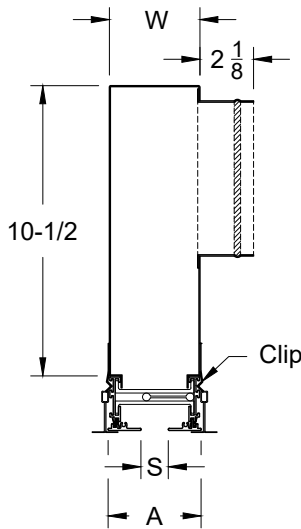
Models	S Slot Width	Face Width		Plenum Width		Nominal Lengths
		1 Slot	2 Slot	1 Slot	2 Slot	
AFLTSB-10	1	4 1/4	7 3/16	3 1/4	6 3/16	24, 48, 60
AFLTSB-15	1 1/2	4 3/4	8 3/16	3 3/4	7 3/16	24, 48, 60
AFLTSB-20	2	5 1/4	9 3/16	4 1/4	8 3/16	24, 48, 60

1. Available Finishes	2. Available Accessories	3. Available Options	4. Construction Details
Standard Finish: 20 White Face - Black Back Optional Finish 28 Custom Color			<ul style="list-style-type: none"> Extruded Aluminum

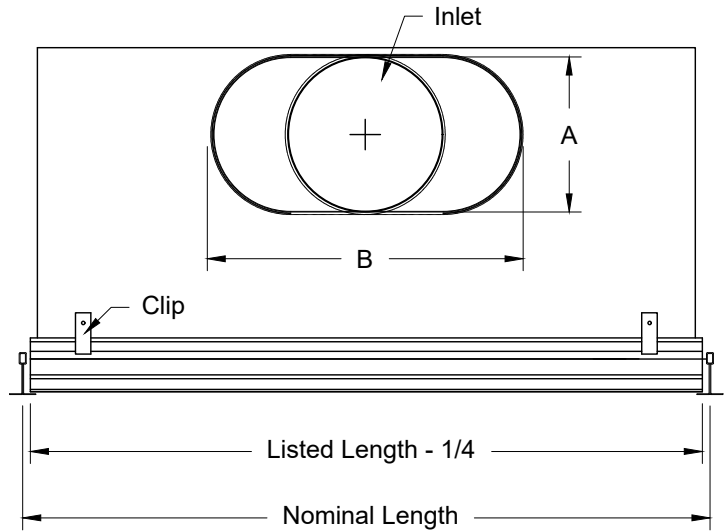
All Dimensions ±1/16"

Model: XG-AFLTS-FF Architectural Formations Linear - F Frame - Non Insulated - Lay In T-Bar

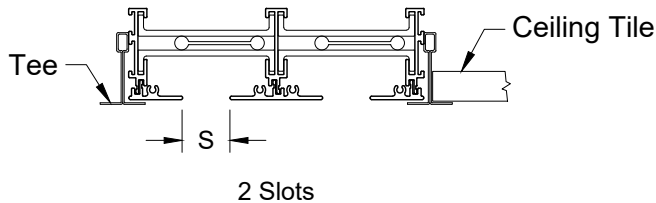
AFLTS-FF - Lay-In T-Bar



Plenum End View



Plenum Side View



Inlet Chart			
Size	Type	A	B
6	Round	5 7/8	-
7	Oval	5 7/8	7 1/4
8	Oval	5 7/8	8 3/8
9	Oval	5 7/8	10
10	Oval	5 7/8	11 9/16
12	Oval	5 7/8	14 13/16
14	Oval	5 7/8	17 13/16

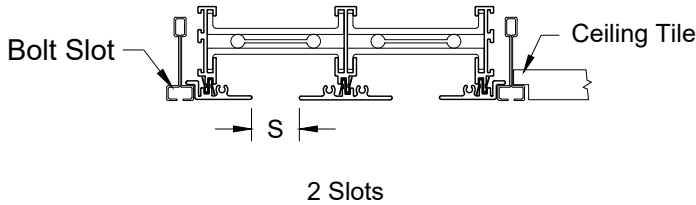
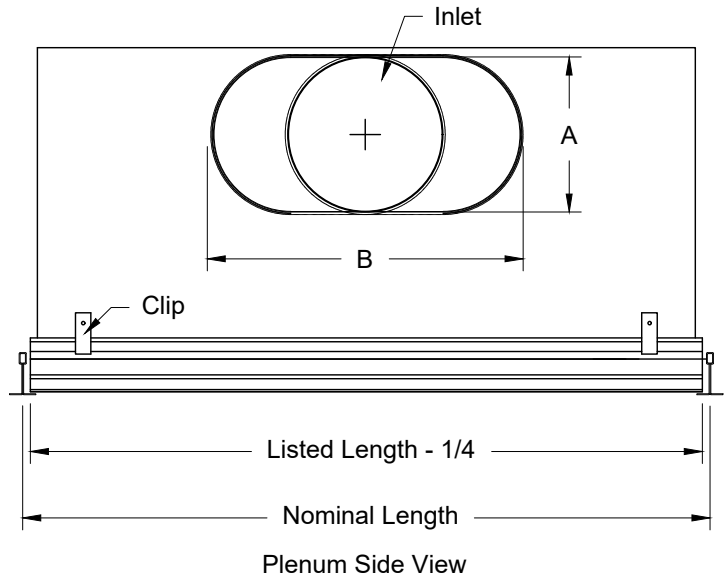
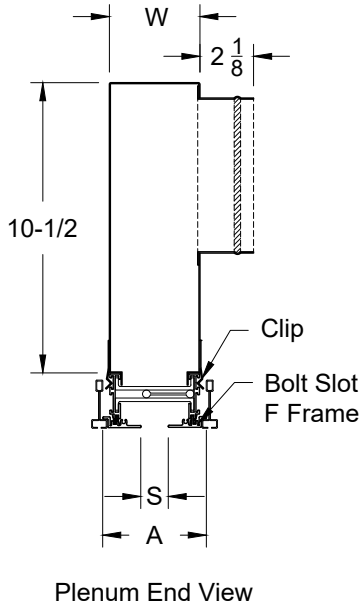
Models	S Slot Width	Face Width		Plenum Width		Nominal Lengths
		A	A	W	W	
		1 Slot	2 Slot	1 Slot	2 Slot	
AFLTS-FF-10	1	3 1/4	6 3/16	3 1/4	6 3/16	24, 48, 60
AFLTS-FF-15	1 1/2	3 3/4	7 3/16	3 3/4	7 3/16	24, 48, 60
AFLTS-FF-20	2	4 1/4	8 3/16	4 1/4	8 3/16	24, 48, 60

1. Available Finishes	2. Available Accessories	3. Available Options	4. Construction Details
Standard Finish: 20 White Face - Black Back Optional Finish 28 Custom Color			<ul style="list-style-type: none"> Extruded Aluminum

All Dimensions ±1/16"

Model: XG-AFLTSB-FF Architectural Formations Linear - F Frame - Non Insulated - Bolt Slot

AFLTSB-FF - Bolt Slot



Inlet Chart			
Size	Type	A	B
6	Round	5 7/8	-
7	Oval	5 7/8	7 1/4
8	Oval	5 7/8	8 3/8
9	Oval	5 7/8	10
10	Oval	5 7/8	11 9/16
12	Oval	5 7/8	14 13/16
14	Oval	5 7/8	17 13/16

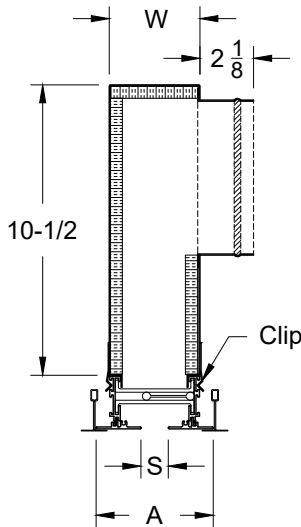
Models	S Slot Width	Face Width		Plenum Width		Nominal Lengths
		A 1 Slot	A 2 Slot	W 1 Slot	W 2 Slot	
AFLTSB-FF-10	1	4	6 15/16	3 1/4	6 3/16	24, 48, 60
AFLTSB-FF-15	1 1/2	4 1/2	7 15/16	3 3/4	7 3/16	24, 48, 60
AFLTSB-FF-20	2	5	8 15/16	4 1/4	8 3/16	24, 48, 60

1. Available Finishes	2. Available Accessories	3. Available Options	4. Construction Details
Standard Finish: 20 White Face - Black Back Optional Finish 28 Custom Color			<ul style="list-style-type: none"> Extruded Aluminum

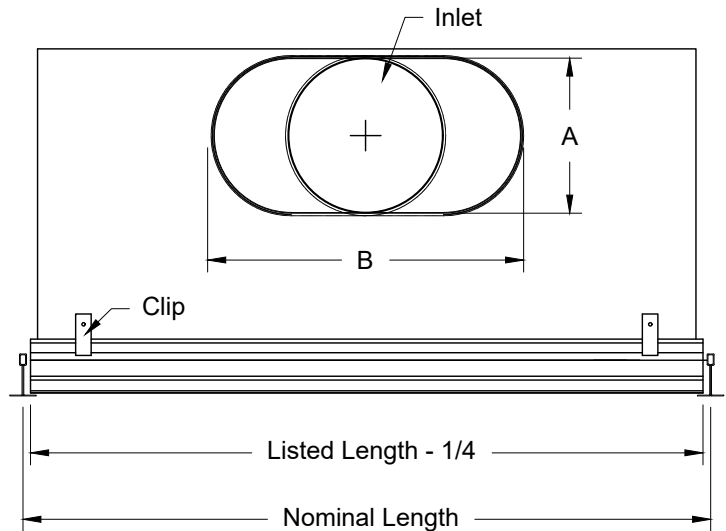
All Dimensions ±1/16"

Model: XG-AFLTSI Architectural Formation Linear - Insulated - Lay In T-Bar

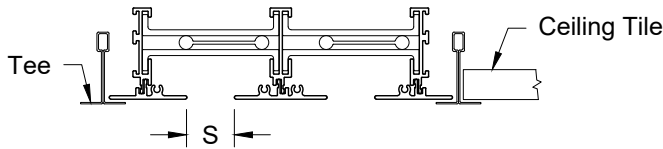
AFLTSI - Lay-In T-Bar



Plenum End View



Plenum Side View



2 Slots

Inlet Chart			
Size	Type	A	B
6	Round	5 7/8	-
7	Oval	5 7/8	7 1/4
8	Oval	5 7/8	8 3/8
9	Oval	5 7/8	10
10	Oval	5 7/8	11 9/16
12	Oval	5 7/8	14 13/16
14	Oval	5 7/8	17 13/16

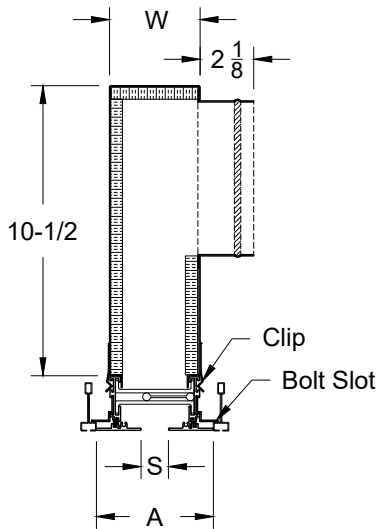
Models	S Slot Width	Face Width		Plenum Width		Nominal Lengths
		A	A	W	W	
AFLTSI-10	1	4 1/4	7 3/16	3 1/4	6 3/16	24, 48, 60
AFLTSI-15	1 1/2	4 3/4	8 3/16	3 3/4	7 3/16	24, 48, 60
AFLTSI-20	2	5 1/4	9 3/16	4 1/4	8 3/16	24, 48, 60

1. Available Finishes	2. Available Accessories	3. Available Options	4. Construction Details
Standard Finish: 20 White Face - Black Back Optional Finish 28 Custom Color			<ul style="list-style-type: none"> Extruded Aluminum

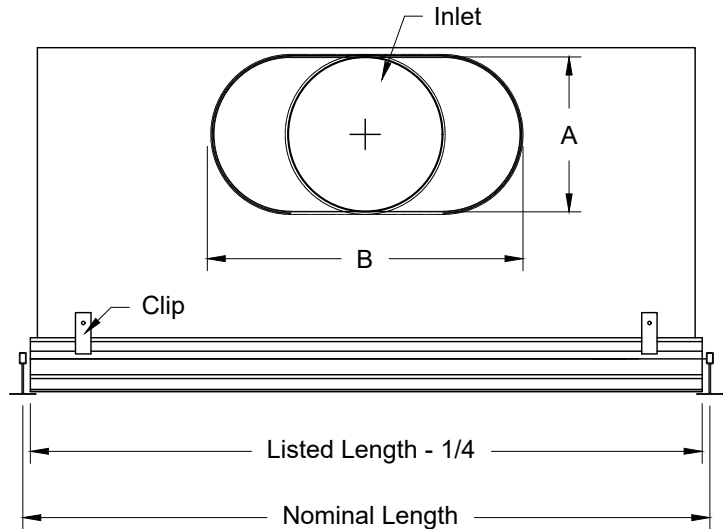
All Dimensions ±1/16"

Model: XG-AFLTSBI Architectural Formations Linear - Insulated - Bolt Slot

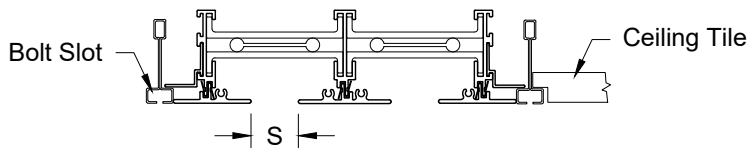
AFLTSBI - Bolt Slot



Plenum End View



Plenum Side View



2 Slots

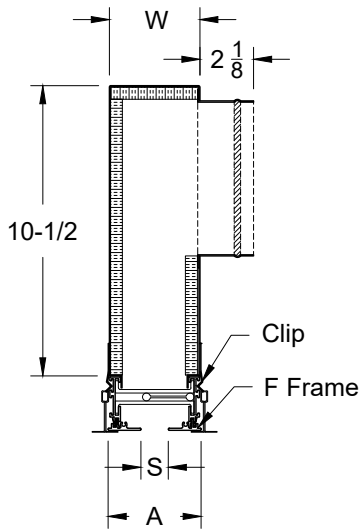
Inlet Chart			
Size	Type	A	B
6	Round	5 7/8	-
7	Oval	5 7/8	7 1/4
8	Oval	5 7/8	8 3/8
9	Oval	5 7/8	10
10	Oval	5 7/8	11 9/16
12	Oval	5 7/8	14 13/16
14	Oval	5 7/8	17 13/16

Models	S Slot Width	Face Width		Plenum Width		Nominal Lengths
		A	A	W	W	
AFLTSBI-10	1	4 1/4	7 3/16	3 1/4	6 3/16	24, 48, 60
AFLTSBI-15	1 1/2	4 3/4	8 3/16	3 3/4	7 3/16	24, 48, 60
AFLTSBI-20	2	5 1/4	9 3/16	4 1/4	8 3/16	24, 48, 60

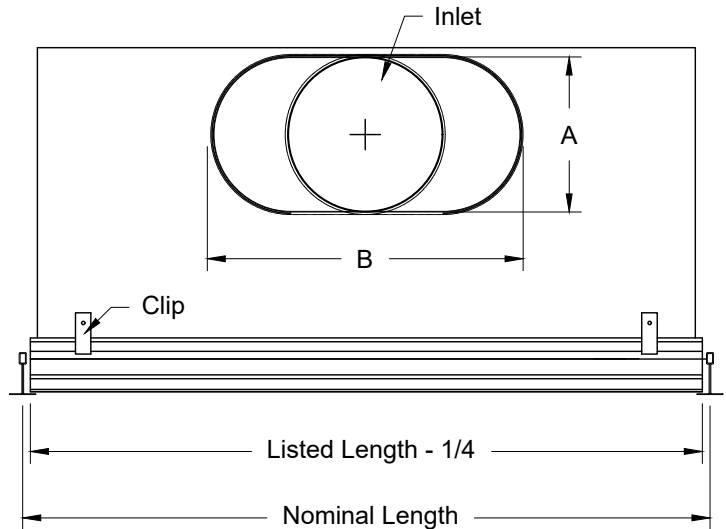
1. Available Finishes	2. Available Accessories	3. Available Options	4. Construction Details
Standard Finish: 20 White Face - Black Back Optional Finish 28 Custom Color			● Extruded Aluminum All Dimensions ±1/16"

Model: XG-AFLTSI-FF Architectural Formation Linear - F Frame - Insulated - Lay In T-Bar

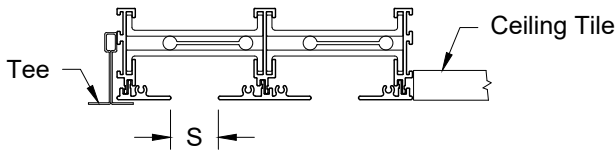
AFLTSI-FF - Lay-In T-Bar



Plenum End View



Plenum Side View



2 Slots

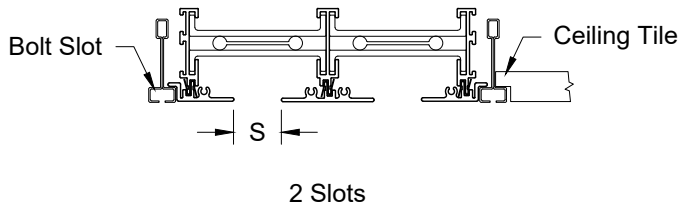
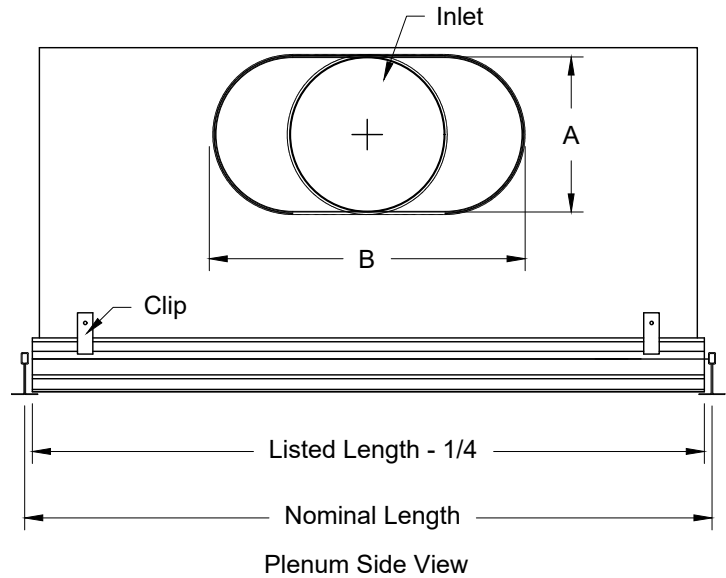
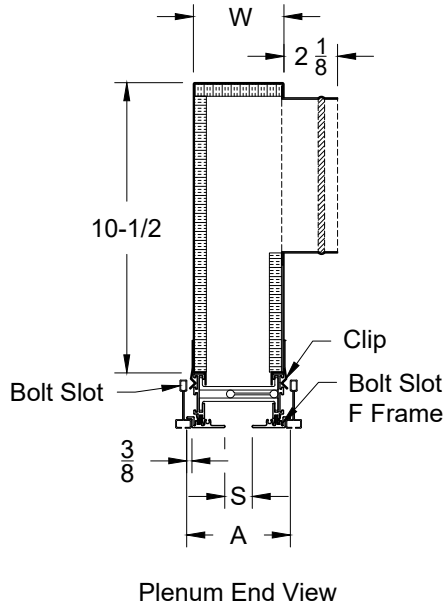
Inlet Chart			
Size	Type	A	B
6	Round	5 7/8	-
7	Oval	5 7/8	7 1/4
8	Oval	5 7/8	8 3/8
9	Oval	5 7/8	10
10	Oval	5 7/8	11 9/16
12	Oval	5 7/8	14 13/16
14	Oval	5 7/8	17 13/16

Models	S Slot Width	Face Width		Plenum Width		Nominal Lengths
		A	A	W	W	
		1 Slot	2 Slot	1 Slot	2 Slot	
AFLTSI-FF-10	1	3 1/4	6 3/16	3 1/4	6 3/16	24, 48, 60
AFLTSI-FF-15	1 1/2	3 3/4	7 3/16	3 3/4	7 3/16	24, 48, 60
AFLTSI-FF-20	2	4 1/4	8 3/16	4 1/4	8 3/16	24, 48, 60

1. Available Finishes	2. Available Accessories	3. Available Options	4. Construction Details
Standard Finish: 20 White Face - Black Back Optional Finish 28 Custom Color			<ul style="list-style-type: none"> Extruded Aluminum <p>All Dimensions $\pm 1/16"$</p>

Model: XG-AFLTSBI-FF Architectural Formations Linear - F Frame - Insulated - Bolt Slot

AFLTSBI-FF - Bolt Slot



Inlet Chart			
Size	Type	A	B
6	Round	5 7/8	-
7	Oval	5 7/8	7 1/4
8	Oval	5 7/8	8 3/8
9	Oval	5 7/8	10
10	Oval	5 7/8	11 9/16
12	Oval	5 7/8	14 13/16
14	Oval	5 7/8	17 13/16

Models	S Slot Width	Face Width		Plenum Width		Nominal Lengths
		A 1 Slot	A 2 Slot	W 1 Slot	W 2 Slot	
AFLTSBI-FF-10	1	4	6 15/16	3 1/4	6 3/16	24, 48, 60
AFLTSBI-FF-15	1 1/2	4 1/2	7 15/16	3 3/4	7 3/16	24, 48, 60
AFLTSBI-FF-20	2	5	8 15/16	4 1/4	8 3/16	24, 48, 60

1. Available Finishes	2. Available Accessories	3. Available Options	4. Construction Details
Standard Finish: 20 White Face - Black Back Optional Finish 28 Custom Color			<ul style="list-style-type: none"> Extruded Aluminum

All Dimensions ±1/16"