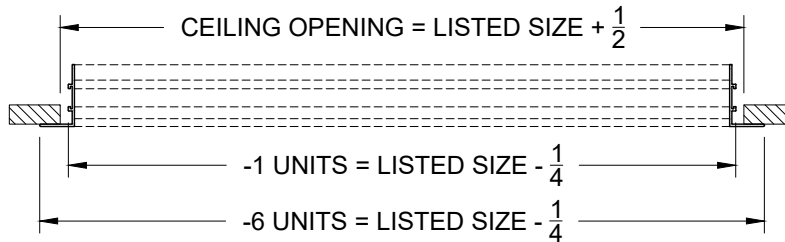
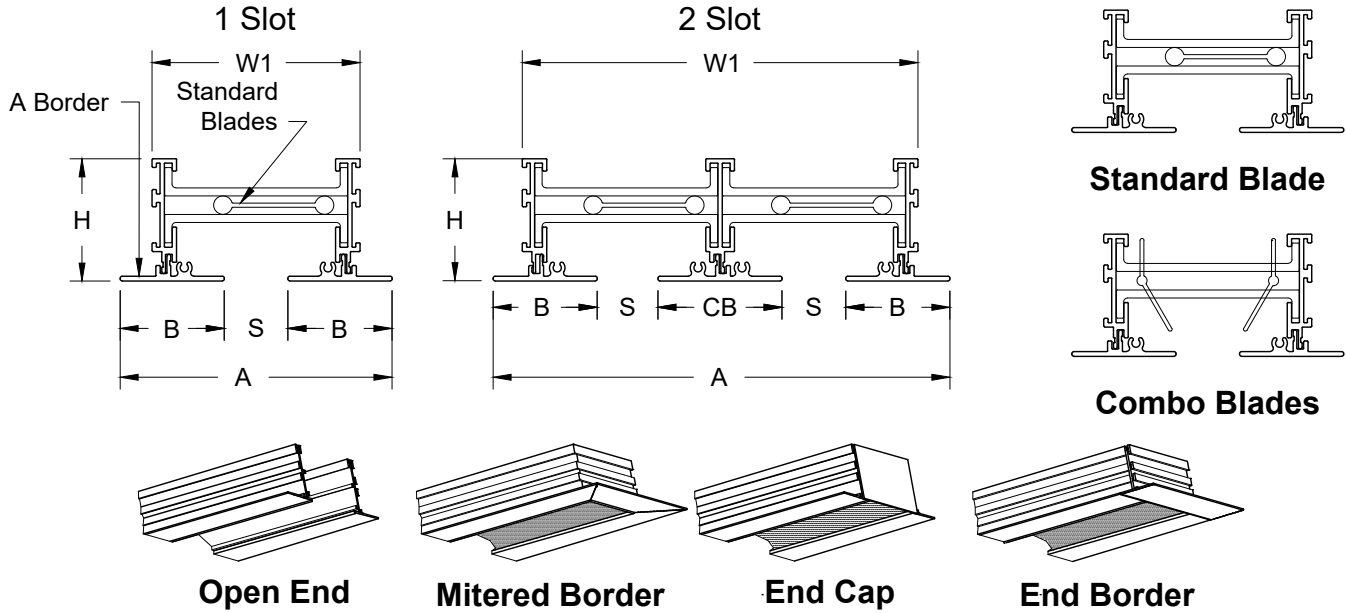


Model: XG-AFL-AA      Border A & Border A - Exposed Face

### XG-AFL-AA - Exposed Face



Model	S Slot Width	Face Width		Neck Width		B Border Width	CB Border Width	H Height
		A 1 Slot	A 2 Slot	W 1 Slot	W 2 Slot			
XG-AFL-10	1	4 1/4	7 3/16	3 1/4	6 3/16	1 5/8	1 15/16	2
XG-AFL-15	1 1/2	4 3/4	8 3/16	3 3/4	7 3/16	1 5/8	1 15/16	2
XG-AFL-20	2	5 1/4	9 3/16	4 1/4	8 3/16	1 5/8	1 15/16	2
XG-AFL-25	2 1/2	6 3/4	12 3/16	5 3/4	11 3/16	2 1/8	2 15/16	2 1/2
XG-AFL-30	3	7 1/4	13 3/16	6 1/4	12 3/16	2 1/8	2 15/16	2 1/2

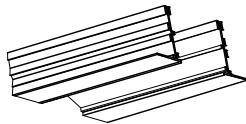
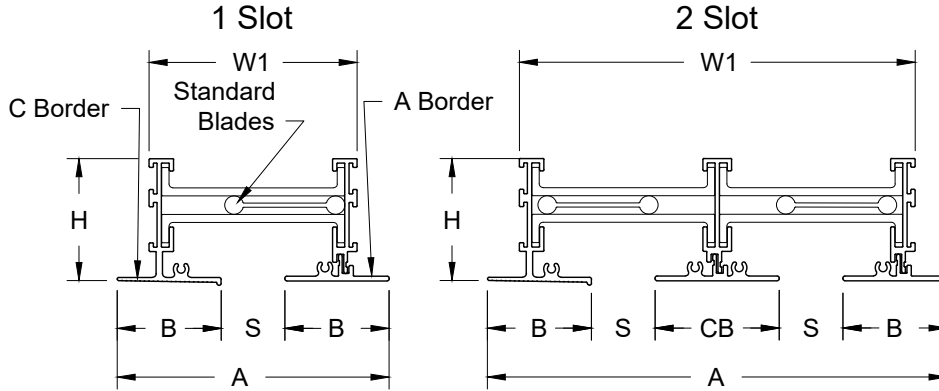
1. Available Finishes	2. Available Accessories	3. Available Options	4. Construction Details
Standard Finish: 20 - White Face and Black Interior  Optional Finish 02 - Satin Silver Face and Black Interior 03 - Black Face and Black Interior 28 - Custom Face Color and Black Interior		1EC - (1) End Cap 2EC - (2) End Caps 1EB - (1) End Border 2EB - (2) End Borders OO - Open / Open MM - Mitered / Mitered MO - Mitered / Open	<ul style="list-style-type: none"> <li>Material Extruded Aluminum</li> <li>C - Combo Pattern Controller</li> <li>S - Standard Pattern Controller</li> <li>Standard Single Section size: (12" minimum - 96" maximum)</li> <li>Lengths larger than 96" made in multiple sections</li> </ul>

All Dimensions  $\pm 1/16"$

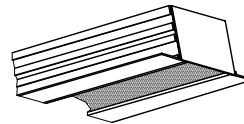
Model: XG-AFL-AC

Border A & Borders C - Exposed Face & Concealed Tape and Spackle

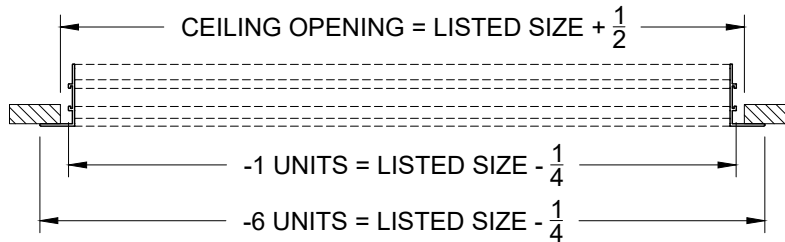
## XG-AFL-AC - Exposed Face & Concealed Tape and Spackle



Open End



End Cap



Model	S Slot Width	Face Width		Neck Width		B Border Width	CB Border Width	H Height
		A 1 Slot	A 2 Slot	W 1 Slot	W 2 Slot			
XG-AFL-10	1	4 1/4	7 3/16	3 1/4	6 3/16	1 5/8	1 15/16	2
XG-AFL-15	1 1/2	4 3/4	8 3/16	3 3/4	7 3/16	1 5/8	1 15/16	2
XG-AFL-20	2	5 1/4	9 3/16	4 1/4	8 3/16	1 5/8	1 15/16	2
XG-AFL-25	2 1/2	6 3/4	12 3/16	5 3/4	11 3/16	2 1/8	2 15/16	2 1/2
XG-AFL-30	3	7 1/4	13 3/16	6 1/4	12 3/16	2 1/8	2 15/16	2 1/2

### 1. Available Finishes

Standard Finish:  
20 - White Face and Black Interior  
Optional Finish  
02 - Satin Silver Face and Black Interior  
03 - Black Face and Black Interior  
28 - Custom Face Color and Black Interior

### 2. Available Accessories

### 3. Available Options

1EC - (1) End Cap  
2EC - (2) End Caps  
1EB - (1) End Border  
2EB - (2) End Borders  
OO - Open / Open  
MM - Mitered / Mitered  
MO - Mitered / Open

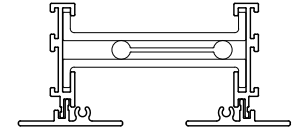
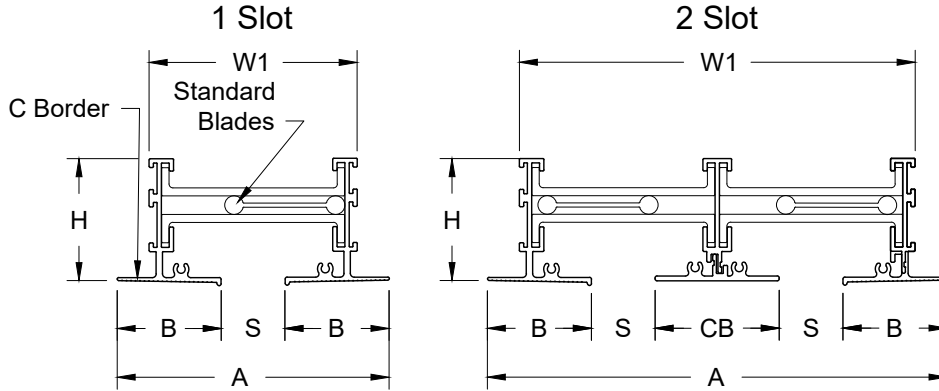
### 4. Construction Details

- Material Extruded Aluminum
- C - Combo Pattern Controller
- S - Standard Pattern Controller
- Standard Single Section size: (12" minimum - 96" maximum)
- Lengths larger than 96" made in multiple sections

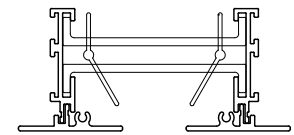
All Dimensions ±1/16"

Model: XG-AFL-CC      Border C & Border C - Concealed Tape and Spackle

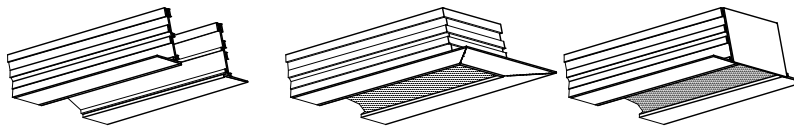
## XG-AFL-CC - Concealed Tape and Spackle



**Standard Blade**



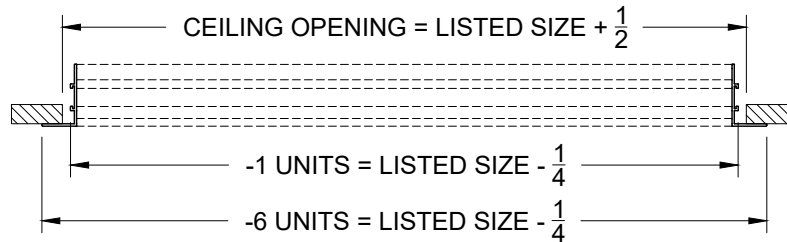
**Combo Blades**



**Open End**

**Mitered Border**

**End Cap**



Model	S Slot Width	Face Width		Neck Width		B Border Width	CB Border Width	H Height
		A 1 Slot	A 2 Slot	W 1 Slot	W 2 Slot			
XG-AFL-10	1	4 1/4	7 3/16	3 1/4	6 3/16	1 5/8	1 15/16	2
XG-AFL-15	1 1/2	4 3/4	8 3/16	3 3/4	7 3/16	1 5/8	1 15/16	2
XG-AFL-20	2	5 1/4	9 3/16	4 1/4	8 3/16	1 5/8	1 15/16	2
XG-AFL-25	2 1/2	6 3/4	12 3/16	5 3/4	11 3/16	2 1/8	2 15/16	2 1/2
XG-AFL-30	3	7 1/4	13 3/16	6 1/4	12 3/16	2 1/8	2 15/16	2 1/2

1. Available Finishes	2. Available Accessories	3. Available Options	4. Construction Details
Standard Finish: 20 - White Face and Black Interior Optional Finish 02 - Satin Silver Face and Black Interior 03 - Black Face and Black Interior 28 - Custom Face Color and Black Interior		1EC - (1) End Cap 2EC - (2) End Caps 1EB - (1) End Border 2EB - (2) End Borders OO - Open / Open MM - Mitered / Mitered MO - Mitered / Open	<ul style="list-style-type: none"> <li>Material Extruded Aluminum</li> <li>C - Combo Pattern Controller</li> <li>S - Standard Pattern Controller</li> <li>Standard Single Section size: (12" minimum - 96" maximum)</li> <li>Lengths larger than 96" made in multiple sections</li> </ul>

All Dimensions ±1/16"