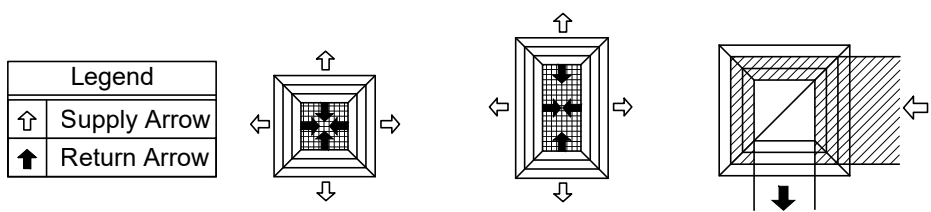
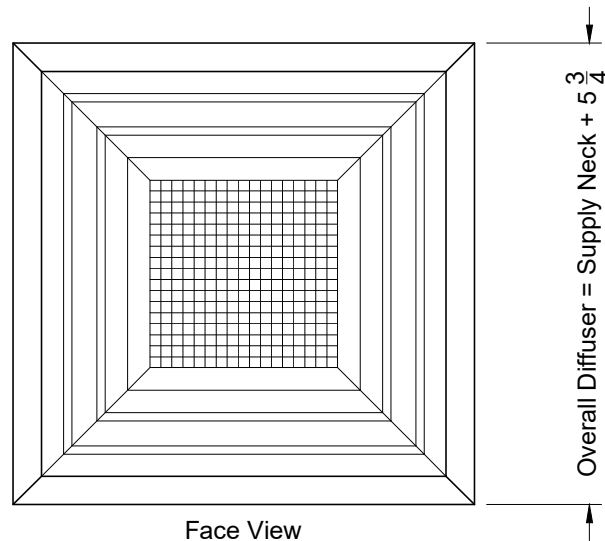
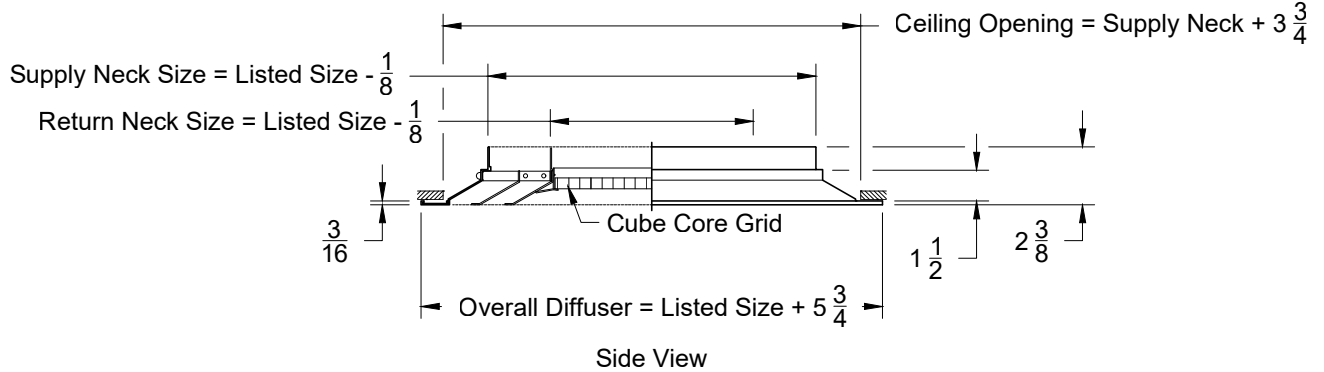


Model: XG-DAF-CC5-1

Louvered Face - Cube Core - Flush Surface Mount

### XG-DAF-CC5-1 - Flush Surface Mount



Supply Neck Sizes Available	
Min	Max
12 x 12	27 x 27

Return Neck Sizes Available	
Min	Max
6 x 6	21 x 21

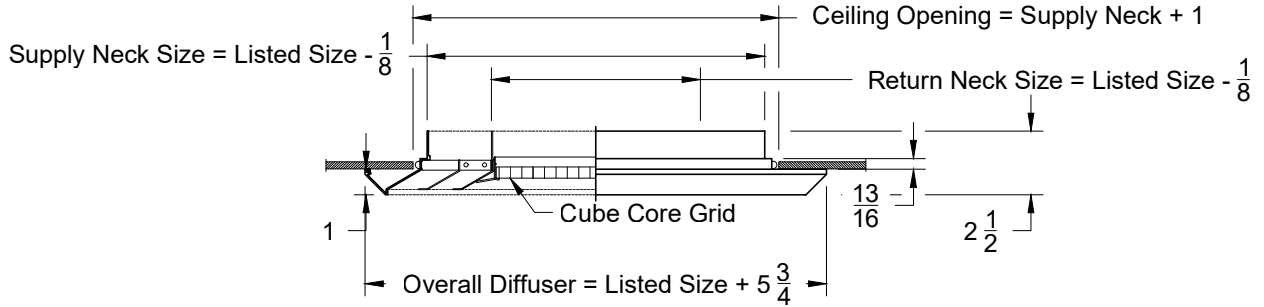
1. Available Finishes	2. Available Accessories	3. Available Options	4. Construction Details
Standard Finish: 01 White Finish 24 Mill Finish Optional Finish 02 Satin Silver 03 Black 28 Custom Color			<ul style="list-style-type: none"> <li>Aluminum Construction</li> </ul>

All Dimensions ±1/16"

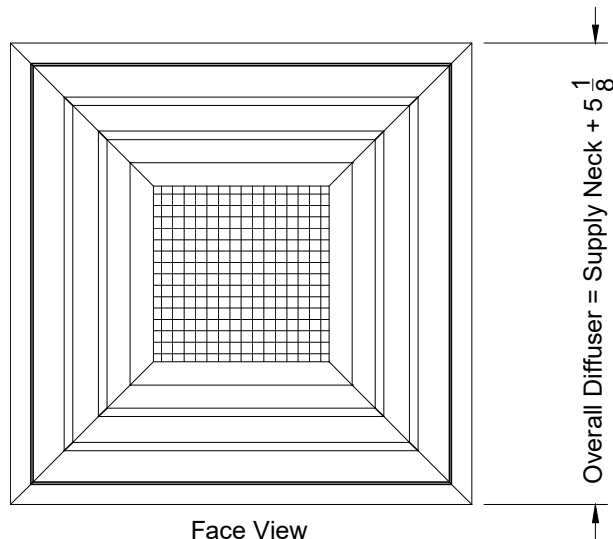
Model: XG-DAF-CC5-2

Louvered Face - Cube Core - Beveled Drop Surface Mount

### XG-DAF-CC5-2 - Bevel Drop Surface Mount

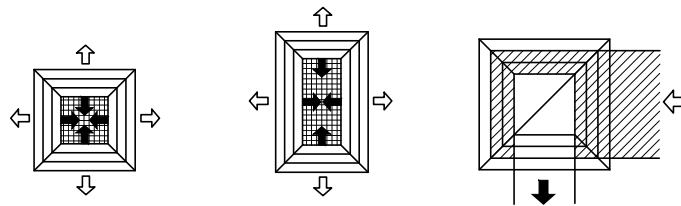


Side View



Face View

Legend	
	Supply Arrow
	Return Arrow



DAF-CC5, 4-Way Air Patterns Only (Square or Rectangular)

Supply Neck Sizes Available	
Min	Max
12 x 12	27 x 27

Return Neck Sizes Available	
Min	Max
6 x 6	21 x 21

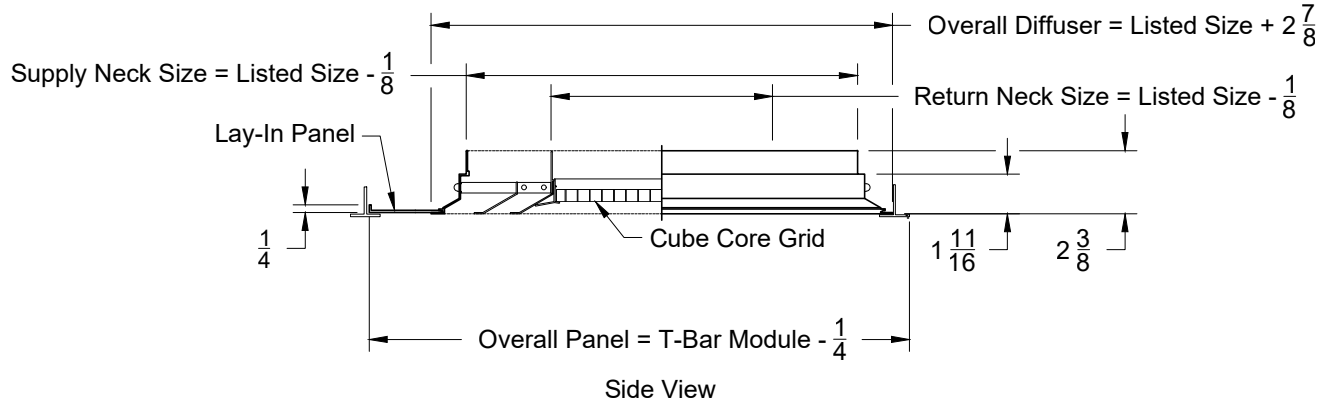
1. Available Finishes	2. Available Accessories	3. Available Options	4. Construction Details
Standard Finish: 01 White Finish 24 Mill Finish Optional Finish 02 Satin Silver 03 Black 28 Custom Color			<ul style="list-style-type: none"> <li>Aluminum Construction</li> </ul>

All Dimensions ±1/16"

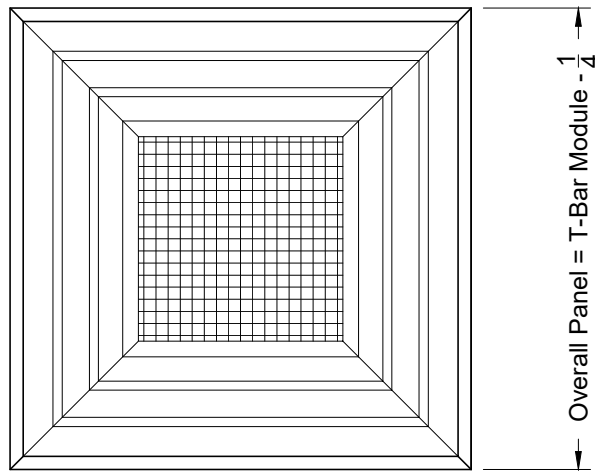
Model: XG-DAF-CC5-6

Louvered Face - Cube Core - Lay In T-Bar

### XG-DAF-CC5-6 - Lay-In T-Bar



Side View

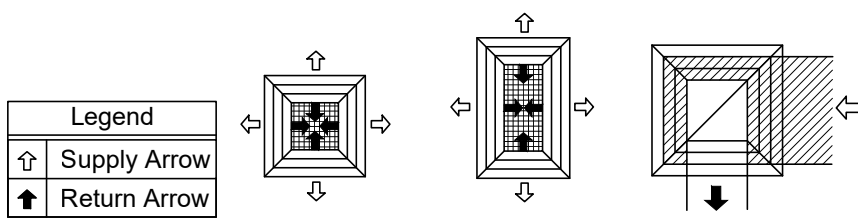


Face View

Module Sizes Available	
24 x 24	
24 x 48	
48 x 48	

Supply Neck Sizes Available	
Min	Max
12 x 12	36 x 12

Return Neck Sizes Available	
Min	Max
6 x 6	24 x 18



DAF-CC5, 4-Way Air Patterns Only (Square or Rectangular)

Frame Style	Overall Diffuser Size	Ceiling Opening
6A	Supply Neck + 5 3/4	T-Bar Module
6B	Supply Neck - 1/4	T-Bar Module

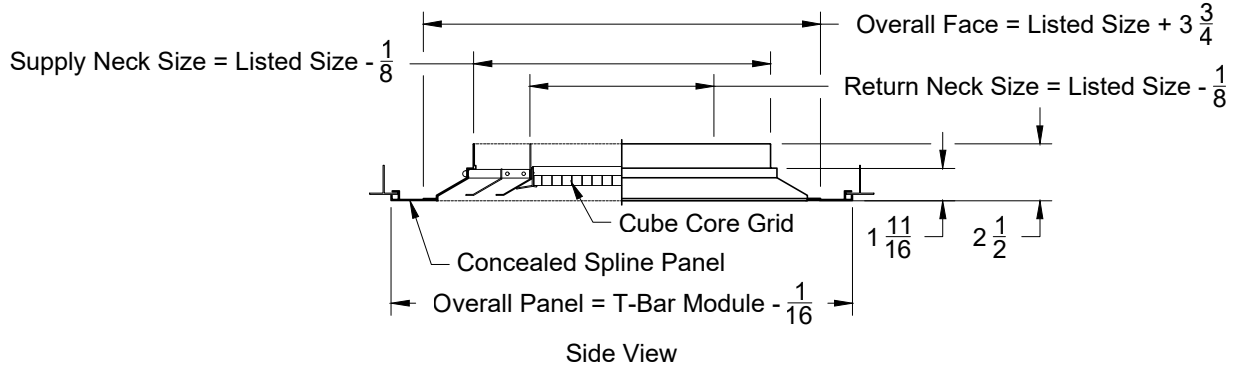
1. Available Finishes	2. Available Accessories	3. Available Options	4. Construction Details
Standard Finish: 01 White Finish 24 Mill Finish Optional Finish 02 Satin Silver 03 Black 28 Custom Color			<ul style="list-style-type: none"> <li>Aluminum Construction</li> </ul>

All Dimensions ±1/16"

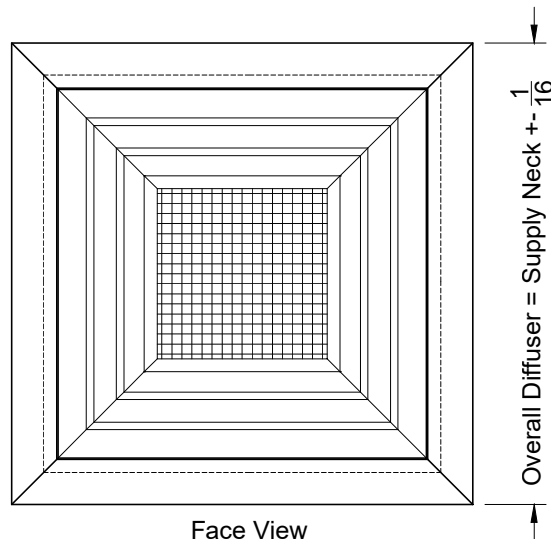
Model: XG-DAF-CC5-7

Louvered Face - Cube Core - Concealed Spline Module

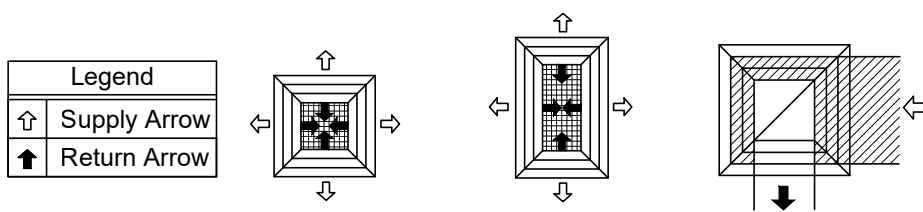
### XG-DAF-CC5-7 - Concealed Spline Module



Side View



Face View



DAF-CC5, 4-Way Air Patterns Only (Square or Rectangular)

Supply Neck Sizes Available	
Min	Max
12 x 12	18 x 18

Return Neck Sizes Available	
Min	Max
9 x 9	15 x 15

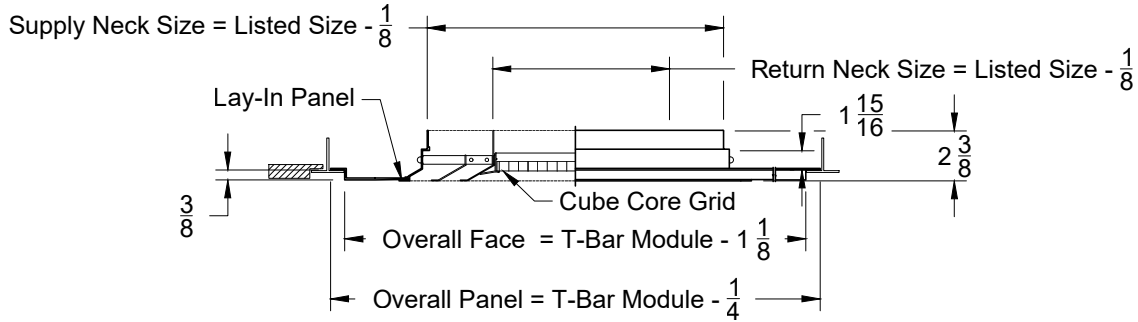
1. Available Finishes	2. Available Accessories	3. Available Options	4. Construction Details
Standard Finish: 01 White Finish 24 Mill Finish Optional Finish 02 Satin Silver 03 Black 28 Custom Color			<ul style="list-style-type: none"> <li>Aluminum Construction</li> </ul>

All Dimensions ±1/16"

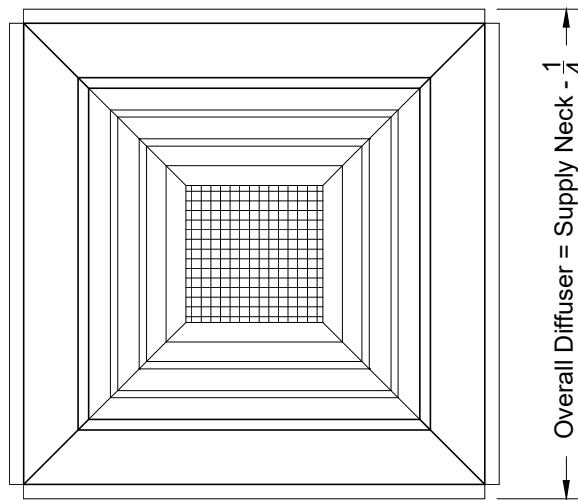
Model: XG-DAF-CC5-8

Louvered Face - Cube Core - Tegular T-Bar Module

### XG-DAF-CC5-8 - Tegular T-Bar Module

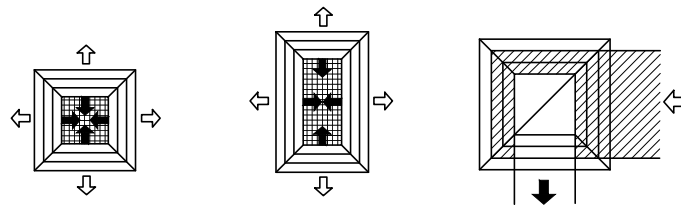


Side View



Face View

Legend	
	Supply Arrow
	Return Arrow



DAF-CC5, 4-Way Air Patterns Only (Square or Rectangular)

Supply Neck Sizes Available	
Min	Max
12 x 12	18 x 18

Return Neck Sizes Available	
Min	Max
9 x 9	15 x 15

1. Available Finishes	2. Available Accessories	3. Available Options	4. Construction Details
Standard Finish: 01 White Finish 24 Mill Finish Optional Finish 02 Satin Silver 03 Black 28 Custom Color			<ul style="list-style-type: none"> <li>Aluminum Construction</li> </ul>

All Dimensions  $\pm 1/16"$