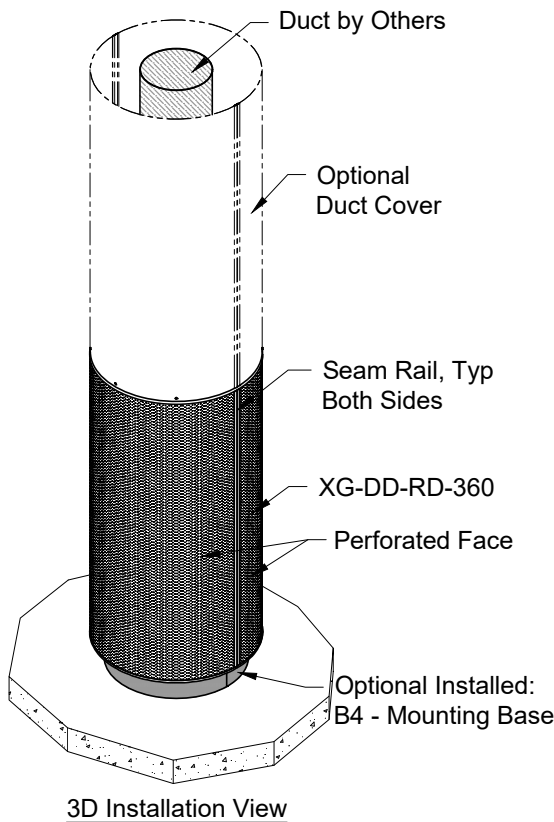
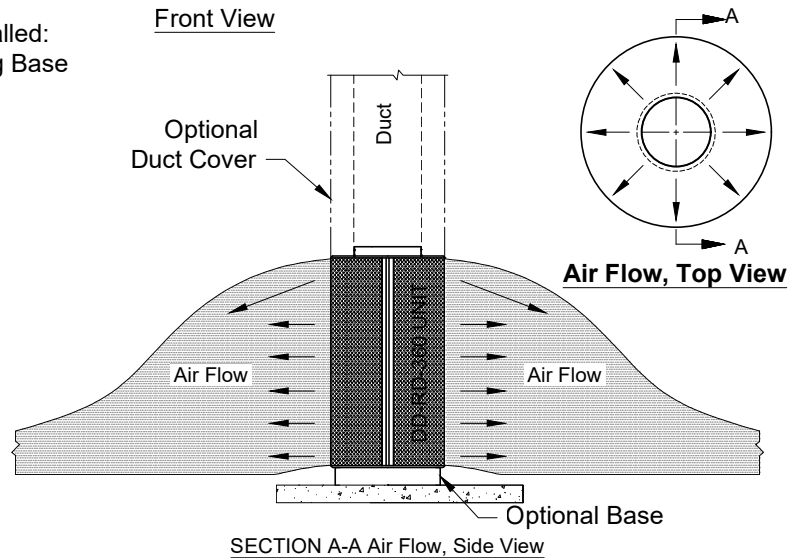
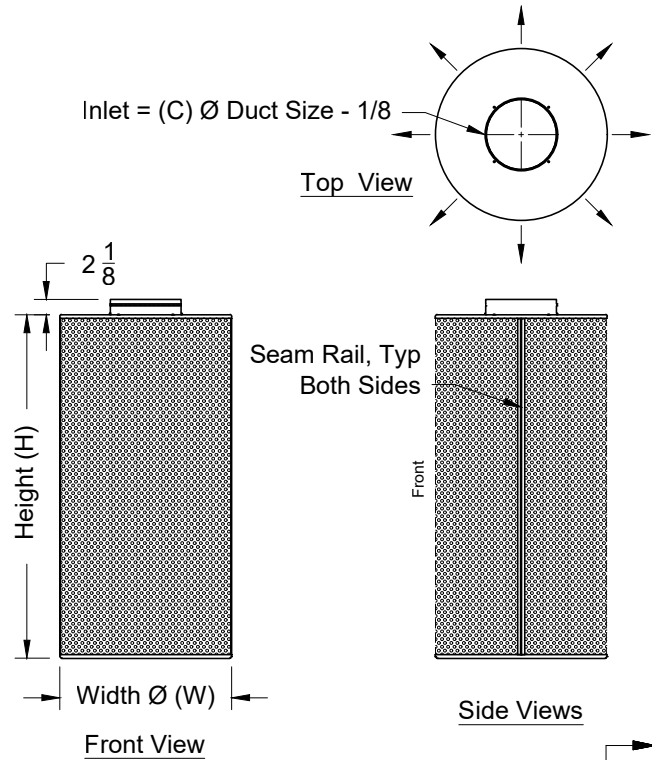


Model: XG-DD-RD-360 Round 360° Airflow - Floor Mount

XG-DD-RD-360 - Floor Mount



3D Installation View



Size	W Dia.	H	C (Inlet Options)
18 x 18	18	24	6,8,10 & 12
18 x 36	18	36	6,8,10 & 12
18 x 48	18	48	6,8,10 & 12
24 x 24	24	24	8,10,12 & 14
24 x 36	24	36	8,10,12 & 14
24 x 48	24	48	8,10,12 & 14
24 x 60	24	60	8,10,12 & 14
30 x 24	30	24	10,12,14 & 16
30 x 36	30	36	10,12,14 & 16
30 x 48	30	48	10,12,14 & 16
30 x 60	30	60	10,12,14 & 16

1. Available Finishes	2. Available Accessories	3. Available Options	4. Construction Details
Standard Finish: 01 White Optional Finish 02 Satin Silver 03 Black 28 Custom Color		B4 - Mounting Base	<ul style="list-style-type: none"> • 23% Perforated Face .050" Aluminum • 24ga. Steel Construction • Duct covers for displacement diffusers have a max single section height of 48" • Taller units will be made in multiple sections for structural rigidity

All Dimensions ±1/16"