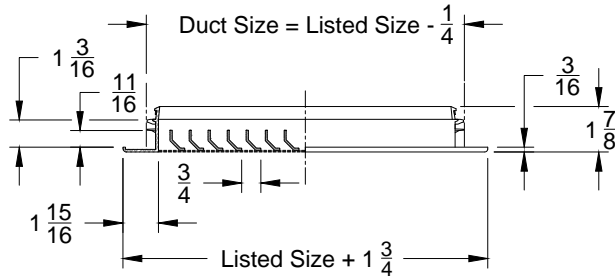
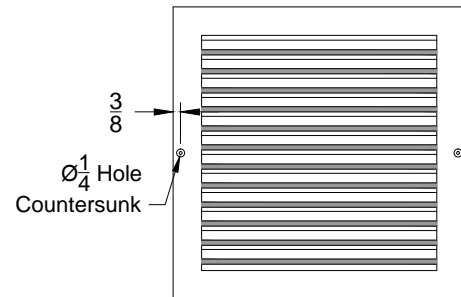
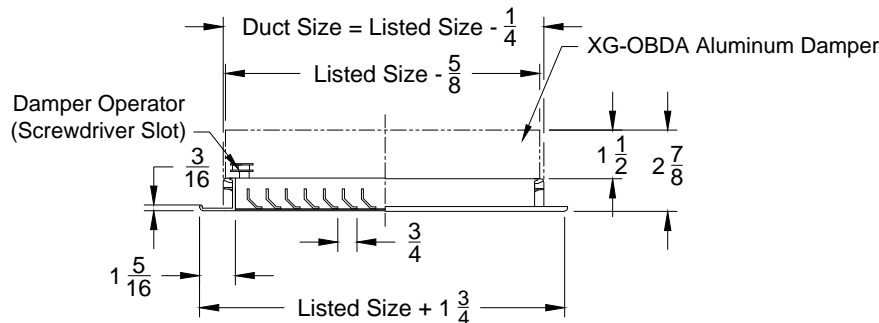
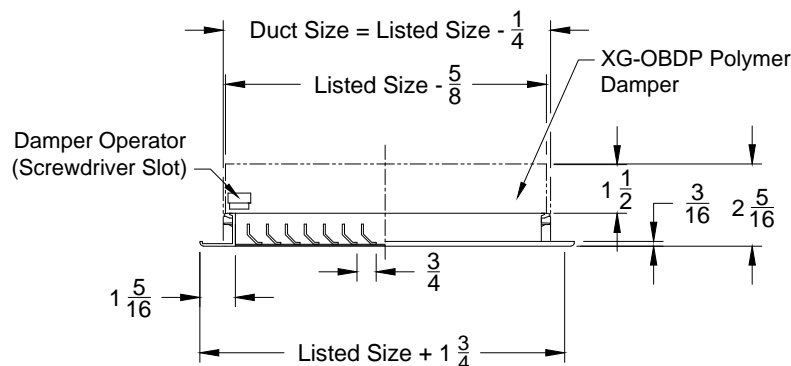


**Engineered Polymer Grilles and Registers
Louver Face Return / Exhaust - Surface Mount**

 Models: **XG-EPRH-1** Engineered Polymer Grille - 45° Fixed Blades - 12" x 12" Size Only

Model: XG-EPRH-1 - Engineered Polymer Grille - 45° Fixed Blades
Face View (All models)

Available Size: 12" x 12" Only

Option: XG-EPRHD-1 - Engineered Polymer Register - with Aluminum Damper - 45° Fixed Blades

Option: XG-EPRHDP-1 (Engineered Polymer Register - with Polymer Damper - 45° Fixed Blades)

 Notes: (check if provided)

1. Available Finishes	2. Available Accessories	3. Available Options	4. Construction Details
Standard Finish: 01 White	XG-OBDP - Polymer Opposed Blade Damper (For Grille). XG-OBDA - Aluminum Opposed Blade Damper (For Grille). XG-TR Aluminum Square to Round Transition. XG-TR DEEP Deep Aluminum Square To Round Transition.		<ul style="list-style-type: none"> Sizes Available only as listed. White finish is through-color Matte white (not Painted).