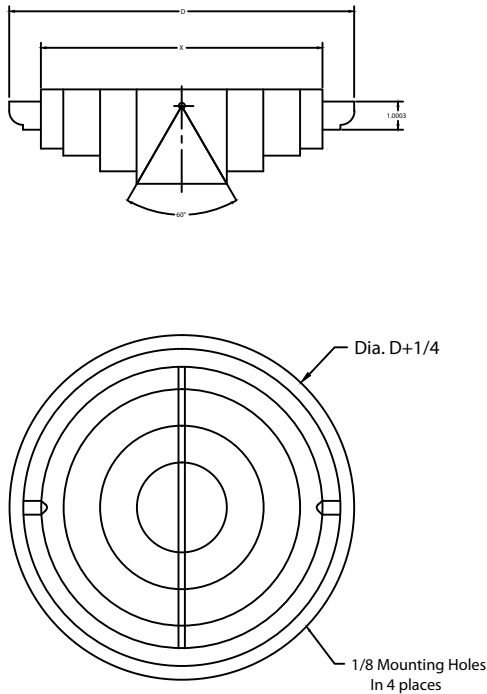


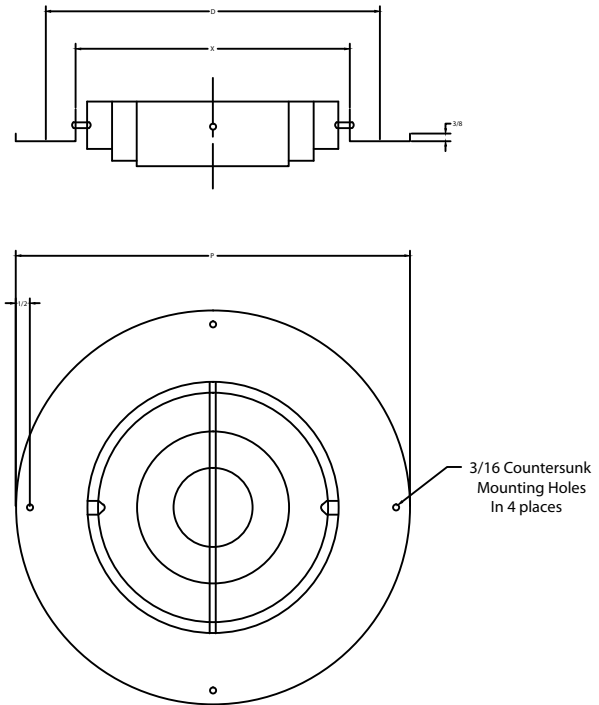
Industrial / High Capacity - supply -Round Neck - Aluminum- Series XG-JA Jet-Aire

Models: **XG-JA-AL-1EX** Jet* Aire Diffusers- Single Unit No Flange Duct Mount
XG-JA-AL Jet* Aire Diffusers- Single Unit - Surface Mount

XG-JA-AL-1EX for exposed duct installation



XG-JA-AL for surface mount installation

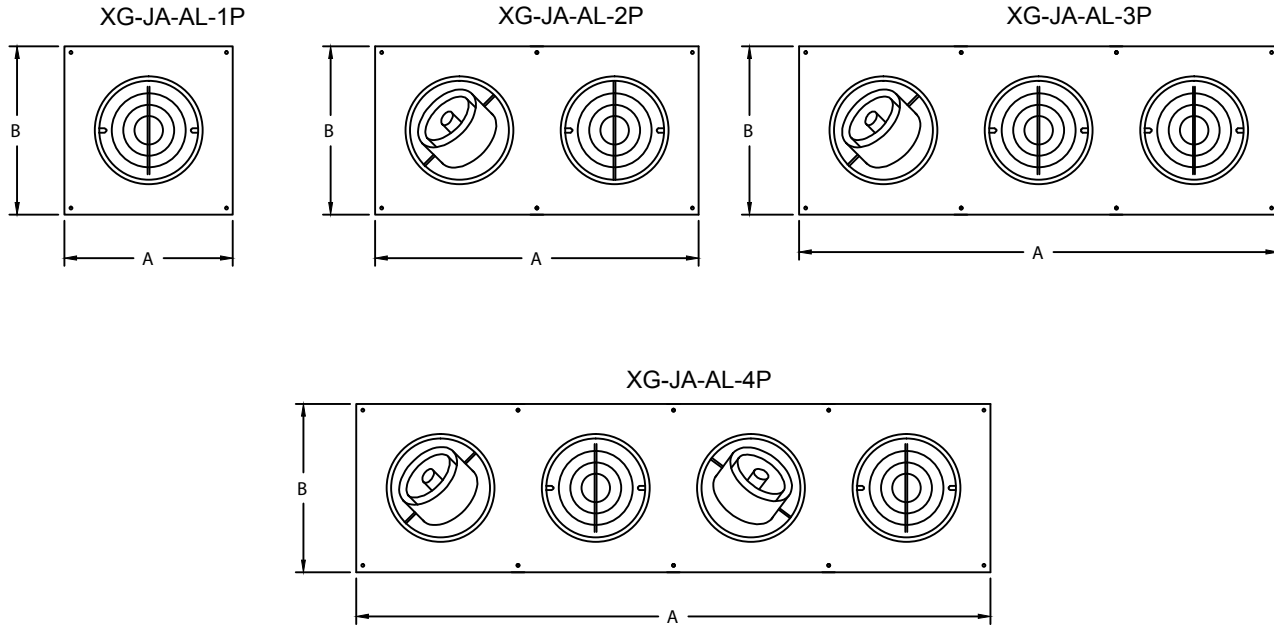


Model	X Element Diameter	Rings Per Element	Dia. D Duct Size
6	4	3	6
8	6	3	8
10	8	3	10
12	10	3	12
14	12	3	14
16	14	4	16
18	16	4	18
20	18	4	20
22	20	5	22
24	22	5	24

Model	X Element Diameter	Rings Per Element	Dia. D Duct Size	P Panel Diameter
6	4	3	6	8
8	6	3	8	10
10	8	3	10	12
12	10	3	12	14
14	12	3	14	16
16	14	4	16	18
18	16	4	18	20
20	18	4	20	22
22	20	5	22	24
24	22	5	24	26

**Industrial / High Capacity - Supply -
Round Neck - Aluminum - Series XG-JA Jet Aire**

Models: **XG-JA-AL-1P** Jet* Aire Diffusers - Panel Mounted - 1 Unit
XG-JA-AL-2P Jet* Aire Diffusers - Panel Mounted - 2 Units
XG-JA-AL-3P Jet* Aire Diffusers - Panel Mounted - 3 Units
XG-JA-AL-4P Jet* Aire Diffusers - Panel Mounted - 4 Units



Available Sizes	Element Sizes	1 Jet (1 Panel)			2 Jets (1 Panel)			3 Jets (1 Panel)			4 Jets (1 Panel)		
		A	B	Duct	A	B	Duct	A	B	Duct	A	B	Duct
6	4	7 7/8	7 7/8	6 x 6	14 7/8	7 7/8	12 x 6	19 7/8	7 7/8	18 x 6	25 7/8	7 7/8	24 x 6
8	6	9 7/8	9 7/8	8 x 8	18 7/8	9 7/8	17 x 8	27 7/8	9 7/8	26 x 8	36 7/8	9 7/8	35 x 8
10	8	11 7/8	11 7/8	10 x 10	23 7/8	11 7/8	22 x 10	35 7/8	11 7/8	34 x 10	47 7/8	11 7/8	46 x 10
12	10	13 7/8	13 7/8	12 x 12	26 7/8	13 7/8	25 x 12	39 7/8	13 7/8	38 x 12	52 7/8	13 7/8	51 x 12
14	12	15 7/8	15 7/8	14 x 14	30 7/8	15 7/8	29 x 14	45 7/8	15 7/8	44 x 14	60 7/8	15 7/8	59 x 14
16	14	17 7/8	17 7/8	16 x 16	34 7/8	17 7/8	33 x 16	51 7/8	17 7/8	50 x 16	68 7/8	17 7/8	67 x 16
18	16	19 7/8	19 7/8	18 x 18	39 7/8	19 7/8	38 x 18	59 7/8	19 7/8	58 x 18	79 7/8	19 7/8	78 x 18
20	18	21 7/8	21 7/8	20 x 20	45 7/8	21 7/8	44 x 20	66 7/8	21 7/8	64 x 20	89 7/8	21 7/8	88 x 20

Notes: check if provided)

1. Available Finishes	2. Available Accessories	3. Available Options	4. Construction Details
01 White - Standard 02 Satin Silver 03 Black 04 Clear Anodize 24 Mill Finish 28 Custom Color Set Up Charge			<ul style="list-style-type: none"> Available only in listed sizes, No Dampers can be mounted on units. Aluminum construction