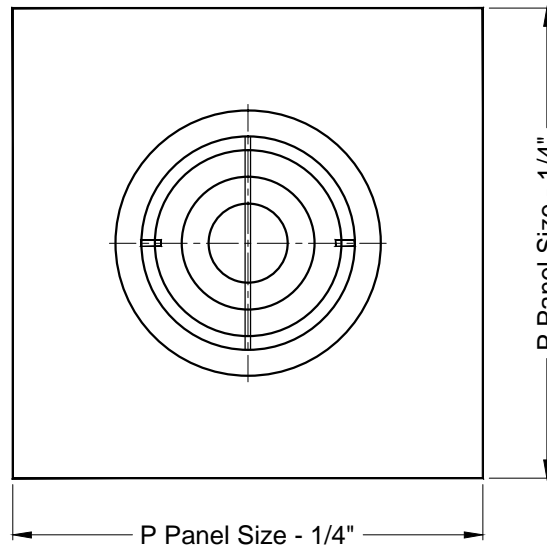
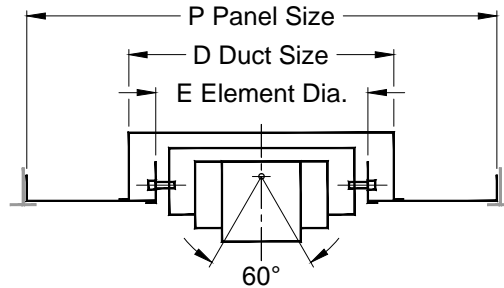


**Industrial / High Capacity - supply -
Round Neck - Square Lay-in Panel - Series XG-JA Jet-Aire**

 Models: **XG-JA-LI** Jet* Aire Diffusers - Lay-in T-Bar - Square Panel - Steel Construction


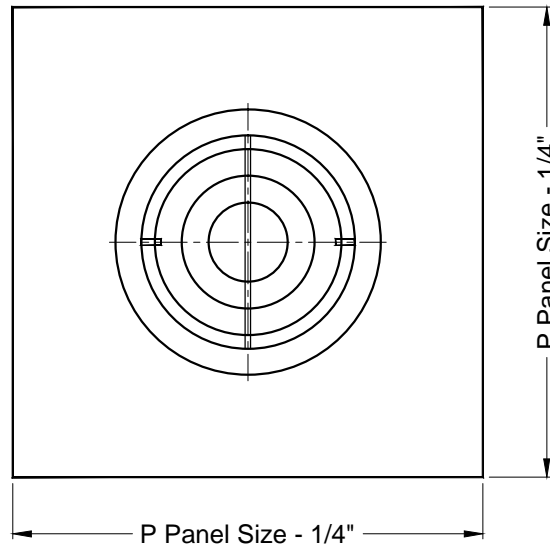
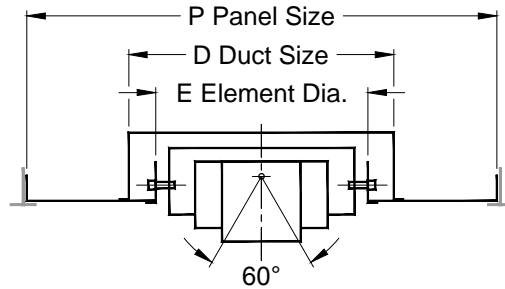
Model	E Element Diameter	Rings Per Element	Dia. D Duct Size	P Panel Size
08	6	3	8	24 x 24
10	8	3	10	24 x 24
12	10	3	12	24 x 24
14	12	3	14	24 x 24
16	14	4	16	24 x 24

 Notes: (check if provided)

1. Available Finishes	2. Available Accessories	3. Available Options	4. Construction Details
Standard Finish: 01 White 24 Mill Finish Optional Finish 02 Satin Silver 42 Gloss Black 43 Flat Black 62 Grey Primer Optional Finish (extra charge): 28 Custom Color / Setup Charge		Custom Sizes Available. 304 Stainless Steel. 316 Stainless Steel.	<ul style="list-style-type: none"> ● Heavy Gauge Steel. ● Adjustment of the Nozzle Element about a fixed plane through a 360 degree rotation. ● Flex Duct Mounting Collar Included.

**Industrial / High Capacity - supply -
Round Neck - Square Lay-in Panel - Series XG-JA Jet-Aire**

Models: **XG-JA-LI-AL** Jet* Aire Diffusers - Lay-in T-Bar - Square Panel - Aluminum Construction



Model	E Element Diameter	Rings Per Element	Dia. D Duct Size	P Panel Size
08	6	3	8	24 x 24
10	8	3	10	24 x 24
12	10	3	12	24 x 24
14	12	3	14	24 x 24
16	14	4	16	24 x 24

Notes: (check if provided)

1. Available Finishes	2. Available Accessories	3. Available Options	4. Construction Details
Standard Finish: 01 White 24 Mill Finish Optional Finish 02 Satin Silver 42 Gloss Black 43 Flat Black 62 Grey Primer Optional Finish (extra charge): 28 Custom Color / Setup Charge		Custom Sizes Available.	<ul style="list-style-type: none"> ● Aluminum Construction ● Adjustment of the Nozzle Element about a fixed plane through a 360 degree rotation. ● Flex Duct Mounting Collar Included.