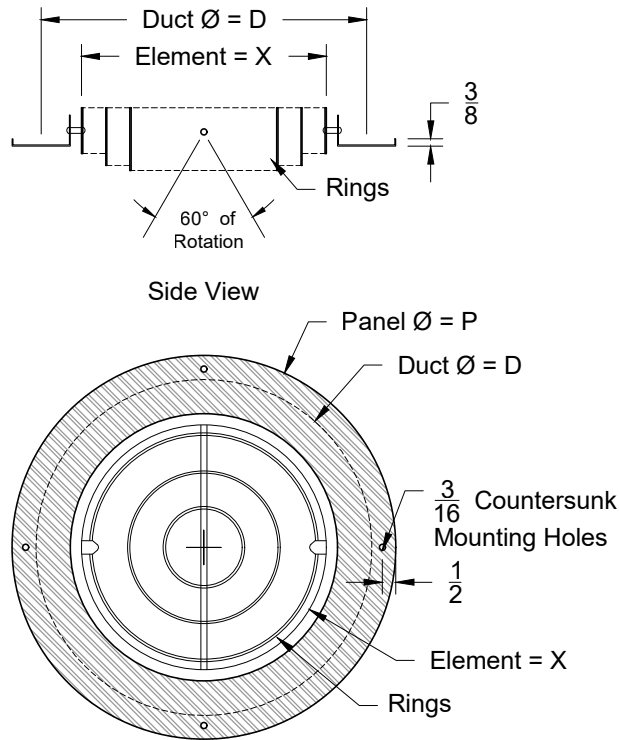


Model: XG-JA

Supply - High Capacity - Single Unit - Flush Surface Mount

XG-JA - Flush Surface Mount



Front View

Available Size	Duct \varnothing	Panel \varnothing	Element \varnothing	Rings
Round Neck \varnothing	D	P	X	# Per Element
6	6	8	4	3
8	8	10	6	3
10	10	12	8	3
12	12	14	10	3
14	14	16	12	3
16	16	18	14	4
18	18	20	16	4
20	20	22	18	4
22	22	24	20	5
24	24	26	22	5

1. Available Finishes

- Standard Finish:
 01 White
 Optional Finish:
 02 Satin Silver
 03 Black
 04 Clear Anodized
 28 Custom Color
 42 Gloss Black
 43 Flat Black
 62 Gray Prime

2. Available Accessories

3. Available Options

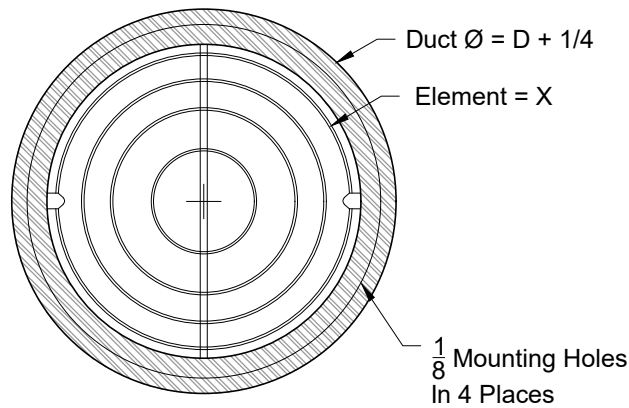
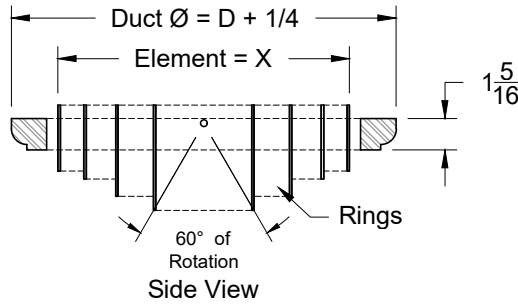
4. Construction Details

- Available only in listed sizes
- No Dampers can be mounted on units
- Steel Construction (Standard), Aluminum Construction Available

All Dimensions $\pm 1/16"$

Model: XG-JA-1EX Industrial High Capacity - Single Unit - No Flange Duct Mount

XG-JA-1EX - No Flange Duct Mount



Available Size Round Neck Ø	Element Ø	Duct Ø	Rings # per Element
6	4	6	3
8	6	8	3
10	8	10	3
12	10	12	3
14	12	14	3
16	14	16	4
18	16	18	4
20	18	20	4
22	20	22	5
24	22	24	5

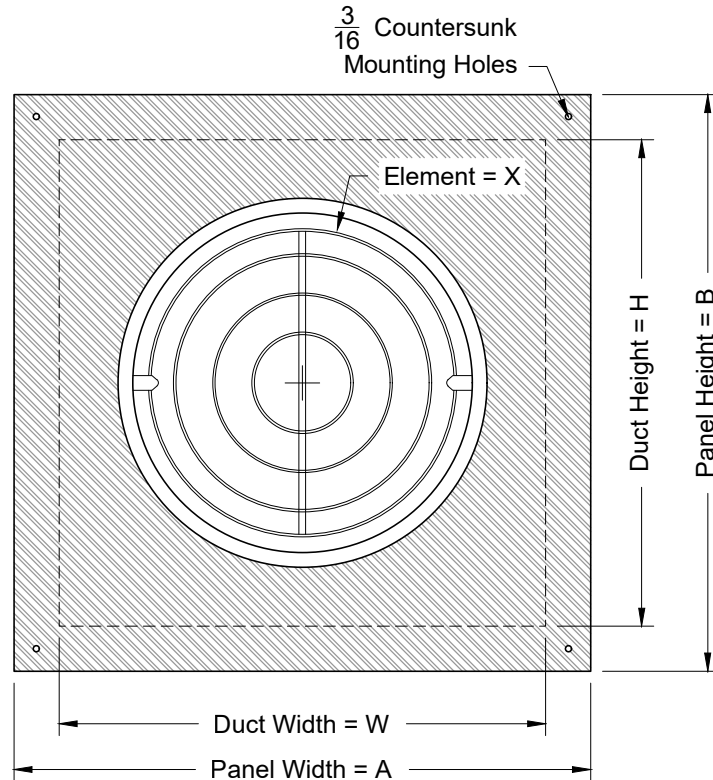
1. Available Finishes	2. Available Accessories	3. Available Options	4. Construction Details
Standard Finish: 01 White Optional Finish: 02 Satin Silver 03 Black 04 Clear Anodized 28 Custom Color 42 Gloss Black 43 Flat Black 62 Gray Prime			<ul style="list-style-type: none"> • Available only in listed sizes • No Dampers can be mounted on units • Steel Construction (Standard), Aluminum Construction Available

All Dimensions ±1/16"

Model: XG-JA-1P

Industrial High Capacity - One Unit - Surface Mounted

XG-JA-1P - Surface Mounted



Front View

Available Size Round Neck Ø	Element Ø X	1 Jet (1 Panel)		Duct	
		A	B	W	H
6	4	7 7/8	7 7/8	6	6
8	6	9 7/8	9 7/8	8	8
10	8	11 7/8	11 7/8	10	10
12	10	13 7/8	13 7/8	12	12
14	12	15 7/8	15 7/8	14	14
16	14	17 7/8	17 7/8	16	16
18	16	19 7/8	19 7/8	18	18
20	18	21 7/8	21 7/8	20	20

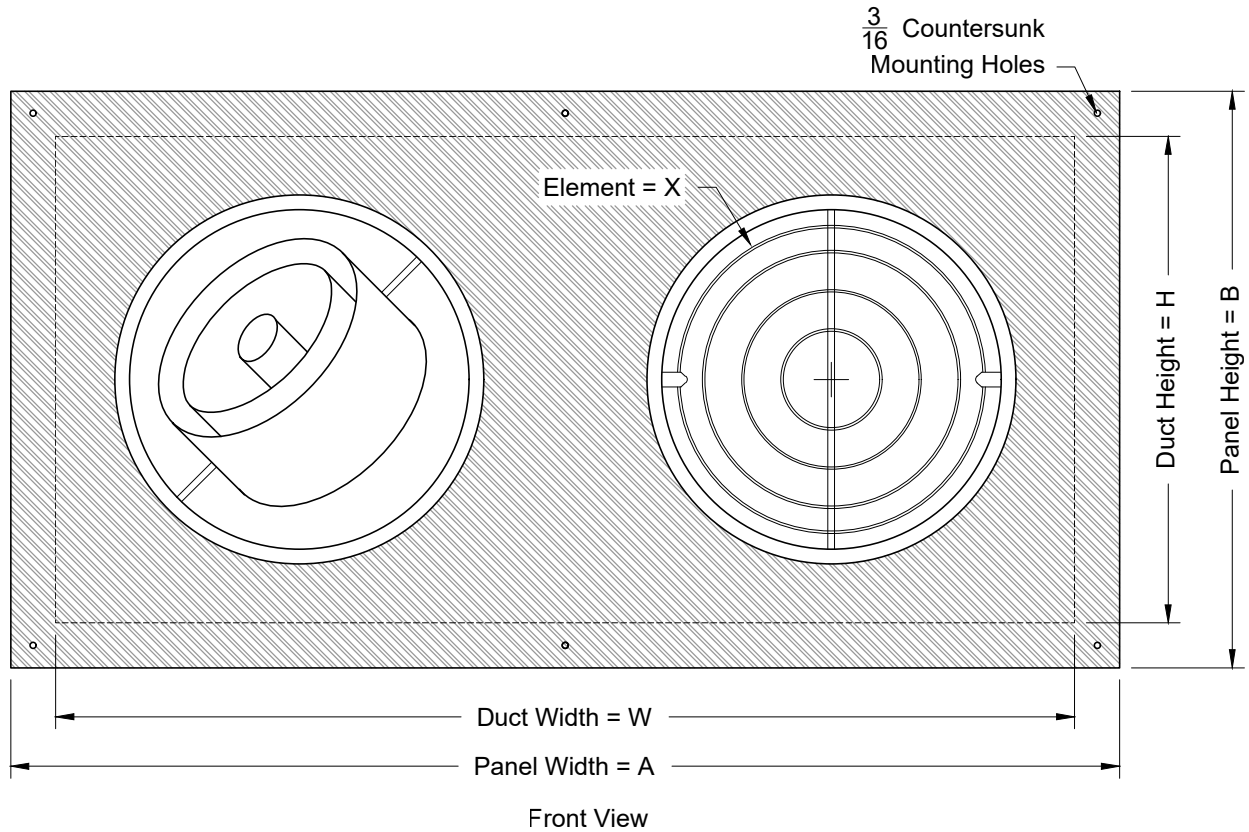
1. Available Finishes	2. Available Accessories	3. Available Options	4. Construction Details
Standard Finish: 01 White Optional Finish: 02 Satin Silver 03 Black 04 Clear Anodized 28 Custom Color 42 Gloss Black 43 Flat Black 62 Gray Prime			<ul style="list-style-type: none"> • Available only in listed sizes • No Dampers can be mounted on units • Steel Construction (Standard), Aluminum Construction Available

All Dimensions ±1/16"

Model: XG-JA-2P

Industrial High Capacity - Two Units - Surface Mounted

XG-JA-2P - Surface Mounted



Available Size Round Neck Ø	Element Ø X	2 Jet (1 Panel)		Duct	
		A	B	W	H
6	4	14 7/8	7 7/8	12 x 6	
8	6	18 7/8	9 7/8	17 x 8	
10	8	23 7/8	11 7/8	22 x 10	
12	10	26 7/8	13 7/8	25 x 12	
14	12	30 7/8	15 7/8	29 x 14	
16	14	34 7/8	17 7/8	33 x 16	
18	16	39 7/8	19 7/8	38 x 18	
20	18	45 7/8	21 7/8	44 x 20	

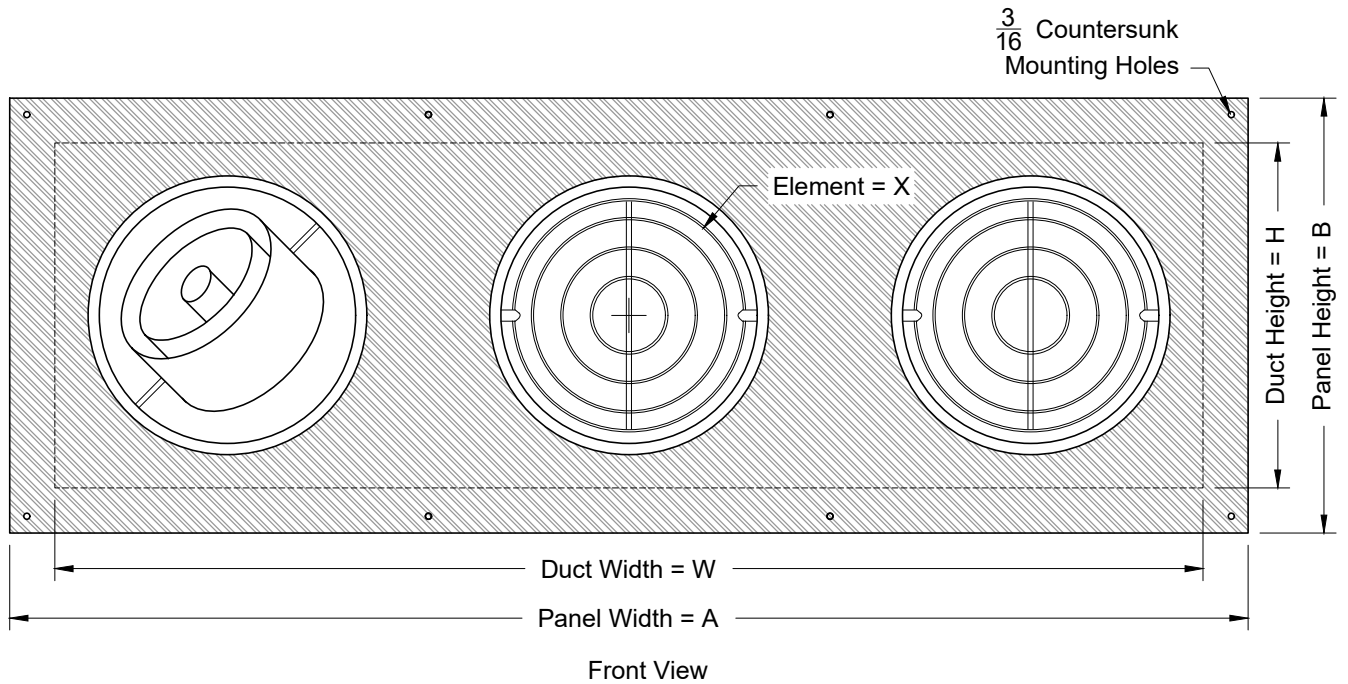
1. Available Finishes	2. Available Accessories	3. Available Options	4. Construction Details
Standard Finish: 01 White Optional Finish: 02 Satin Silver 03 Black 04 Clear Anodized 28 Custom Color 42 Gloss Black 43 Flat Black 62 Gray Prime			<ul style="list-style-type: none"> • Available only in listed sizes • No Dampers can be mounted on units • Steel Construction (Standard), Aluminum Construction Available

All Dimensions ±1/16"

Model: XG-JA-3P

Industrial High Capacity - Three Units - Surface Mounted

XG-JA-3P - Surface Mounted



Available Size Round Neck Ø	Element Ø X	3 Jet (1 Panel)		Duct	
		A	B	W	H
6	4	19 7/8	7 7/8	18 x 6	
8	6	27 7/8	9 7/8	26 x 8	
10	8	35 7/8	11 7/8	34 x 10	
12	10	39 7/8	13 7/8	38 x 12	
14	12	45 7/8	15 7/8	44 x 14	
16	14	51 7/8	17 7/8	50 x 16	
18	16	59 7/8	19 7/8	58 x 18	
20	18	66 7/8	21 7/8	64 x 20	

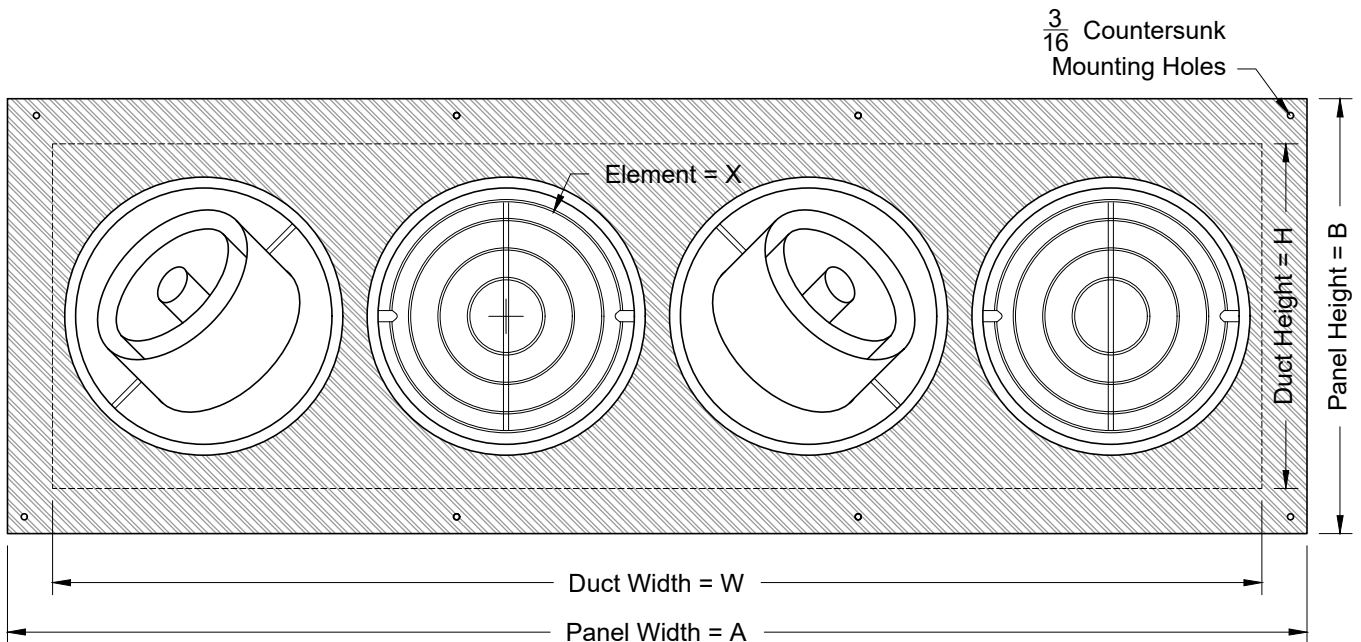
1. Available Finishes	2. Available Accessories	3. Available Options	4. Construction Details
Standard Finish: 01 White Optional Finish: 02 Satin Silver 03 Black 04 Clear Anodized 28 Custom Color 42 Gloss Black 43 Flat Black 62 Gray Prime			<ul style="list-style-type: none"> • Available only in listed sizes • No Dampers can be mounted on units • Steel Construction (Standard), Aluminum Construction Available

All Dimensions ±1/16"

Model: XG-JA-4P

Industrial High Capacity - Four Units - Surface Mounted

XG-JA-4P - Surface Mounted



Front View

Available Size Round Neck Ø	Element Ø X	4 Jet (1 Panel)		Duct	
		A	B	W	H
6	4	25 7/8 x	7 7/8	24	x 6
8	6	36 7/8 x	9 7/8	35	x 8
10	8	47 7/8 x	11 7/8	46	x 10
12	10	52 7/8 x	13 7/8	51	x 12
14	12	60 7/8 x	15 7/8	59	x 14
16	14	68 7/8 x	17 7/8	67	x 16
18	16	79 7/8 x	19 7/8	78	x 18
20	18	89 7/8 x	21 7/8	88	x 20

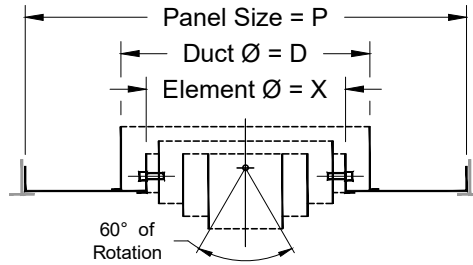
1. Available Finishes	2. Available Accessories	3. Available Options	4. Construction Details
Standard Finish: 01 White Optional Finish: 02 Satin Silver 03 Black 04 Clear Anodized 28 Custom Color 42 Gloss Black 43 Flat Black 62 Gray Prime			<ul style="list-style-type: none"> • Available only in listed sizes • No Dampers can be mounted on units • Steel Construction (Standard), Aluminum Construction Available

All Dimensions ±1/16"

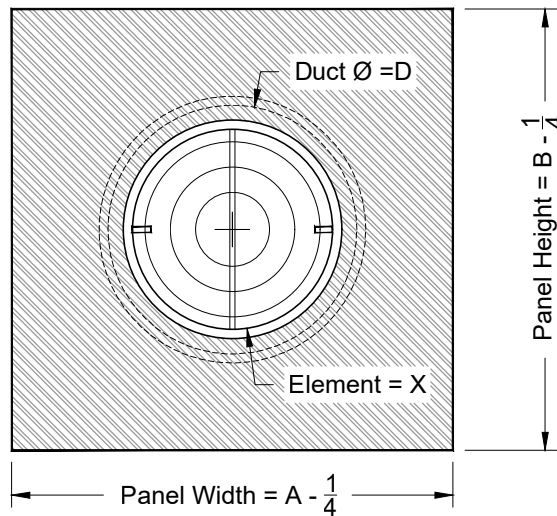
Model: XG-JA-LI

Industrial High Capacity - Square Panel - Lay In T-Bar

XG-JA-LI - Lay In T-Bar



Front View



Front View

Available Size	Element Ø	Rings	Duct Ø	Panel Size
Round Neck Ø	X	# per Element	D	A B
8	6	3	8	24 x 24
10	8	3	10	24 x 24
12	10	3	12	24 x 24
14	12	3	14	24 x 24
16	14	4	16	24 x 24

1. Available Finishes

- Standard Finish:
- 01 White
- Optional Finish:
- 02 Satin Silver
 - 03 Black
 - 04 Clear Anodized
 - 28 Custom Color
 - 42 Gloss Black
 - 43 Flat Black
 - 62 Gray Prime

2. Available Accessories

3. Available Options

4. Construction Details

- Available only in listed sizes
- No Dampers can be mounted on units
- Steel Construction (Standard), Aluminum Construction Available

All Dimensions ±1/16"