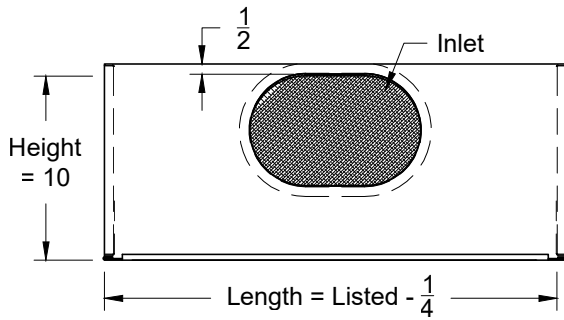


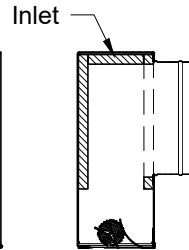
Model: XG-MLAD

Linear Antistrat Diffuser - Lay In T-Bar

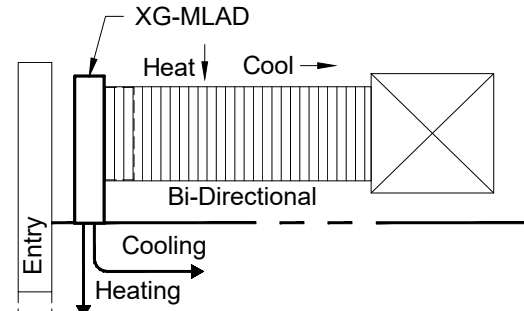
XG-MLAD - Lay in T-Bar



Front View

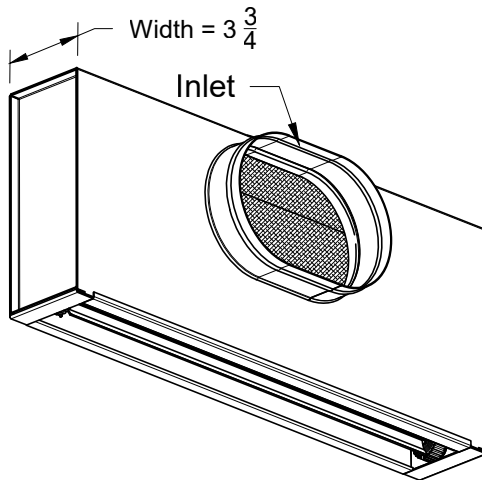


Side View

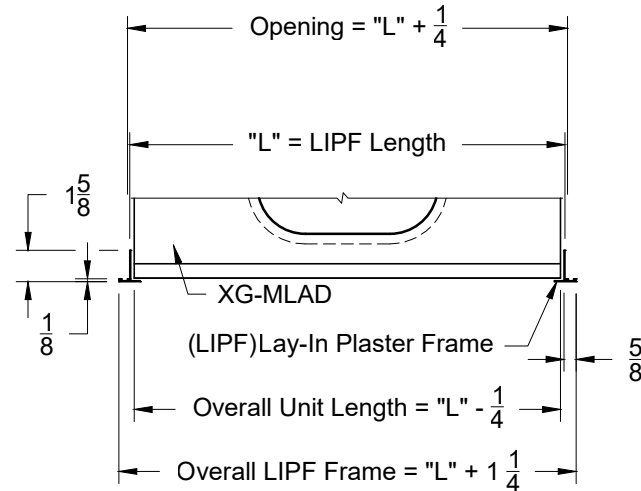


Installation Example

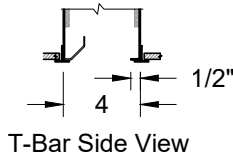
- Horizontal Cool Air / Vertical Warm Air Throw
- Bi-Metallic Thermostatic Blade Control



3D View

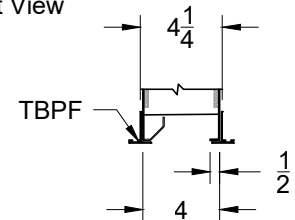


LIPF Front View



T-Bar Side View

Available Inlets
6" Round
8" Oval
10" Oval



Optional: Lay-In Plaster Frame LIPF - Side View

1. Available Finishes	2. Available Accessories	3. Available Options	4. Construction Details
Standard Finish: 01 White Optional Finish 03 Black 28 Custom Color		LIPF - Lay In Plaster Frame EI - 1/2" Foil Back External Insulation CC - Internal Close Cell Foam	<ul style="list-style-type: none"> • Construction 24 gage Steel • Controls Self contained thermally actuated control

All Dimensions ±1/16"