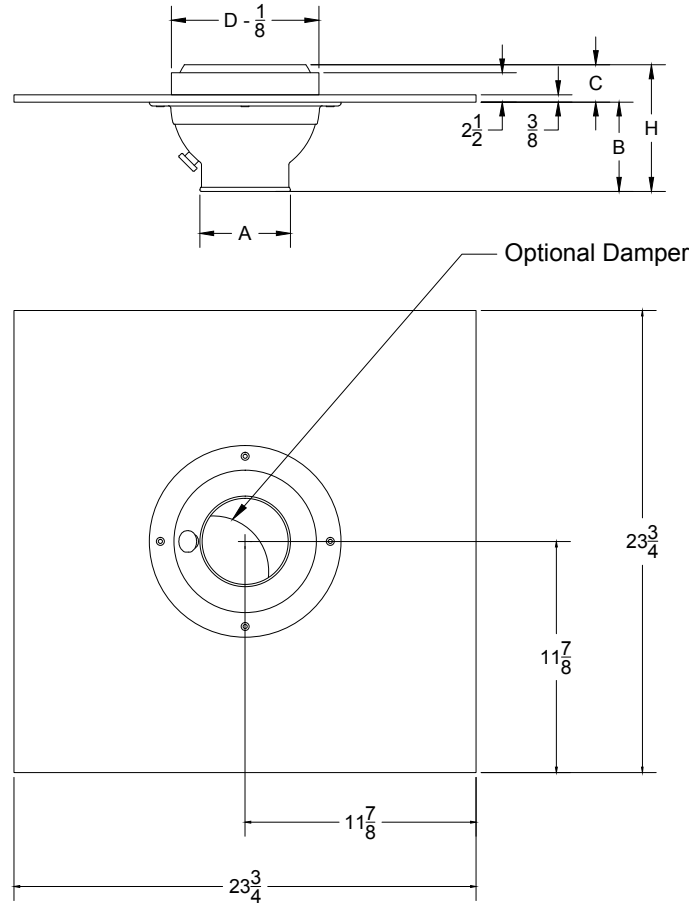


Punkah Louver / High Velocity Jet

Models: **XG-MPK-6** Punkah Louver Units in a T-Bar Lay-In Panel
XG-MPK-6 DA Punkah Louver Units in a T-Bar Lay-In Panel / With Damper



Model	Size	Units Per Panel	A	B	C	D	H
XG-MPK-6 06	6	1	3	3 3/8	2 1/2	6	5 7/8
XG-MPK-6 08	8	1	4 3/8	4 9/16	2 1/2	8	7 1/16
XG-MPK-6 10	10	1	5 3/4	5 13/16	2 9/16	10	8 3/8
XG-MPK-6 12	12	1	7 3/8	6 5/16	2 11/16	12	9
XG-MPK-6 14	14	1	8 5/8	7 7/16	3 13/16	14	11 1/4
XG-MPK-6 16	16	1	9 3/4	8 9/16	4 7/16	16	13
XG-MPK-6 18	18	1	10 1/2	9 13/16	3 15/16	18	13 3/4
XG-MPK-6 20	20	1	12 3/8	11 3/16	4 9/16	20	15 3/4

Notes: (check if provided)

1. Available Finishes	2. Available Accessories	3. Available Options	4. Construction Details
Standard Finish: 01 White 24 Mill Finish Optional Finish 02 Satin Silver 42 Gloss Black 43 Flat Black 62 Grey Primer Optional Finish (extra charge): 28 Custom Color / Setup Charge		XG--DA - Aperture Damper	<ul style="list-style-type: none"> ● Aluminum Construction ● Stainless Steel Damper Hardware ● Foam Gasket ● Flex Duct Mounting Ring Included