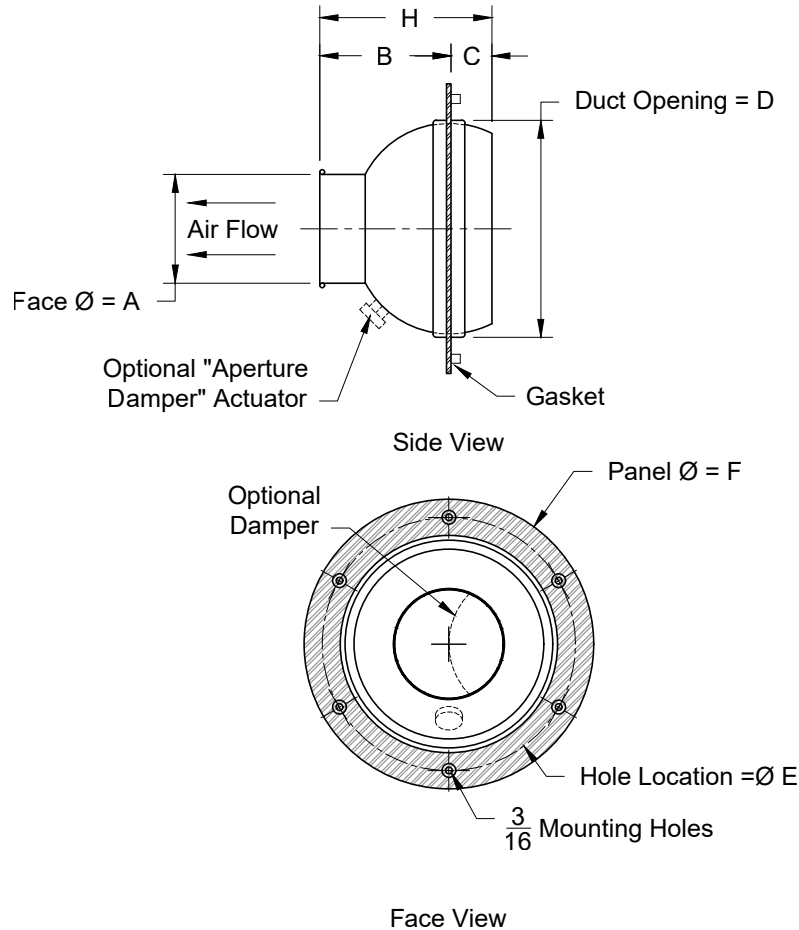


Model: XG-MPK

Punkah Louver - High Velocity Jet - Flush Surface Mount

XG-MPK - Flush Surface Mount



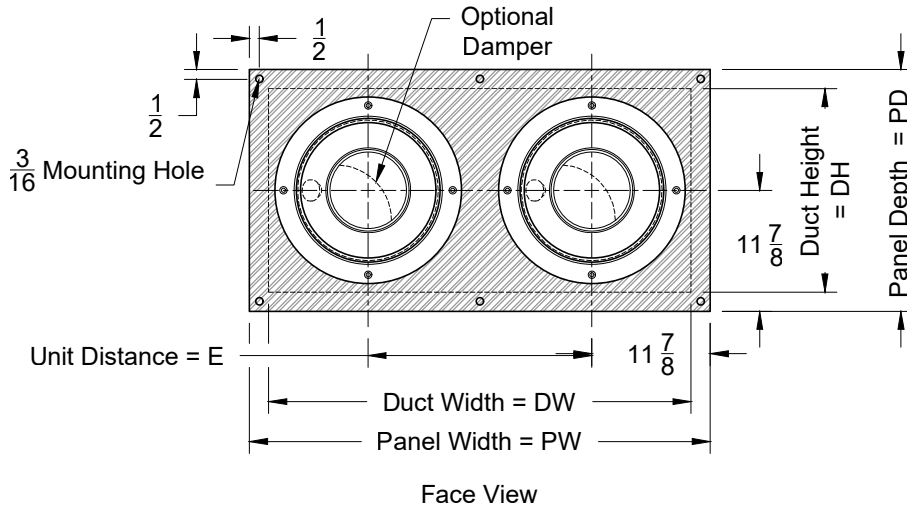
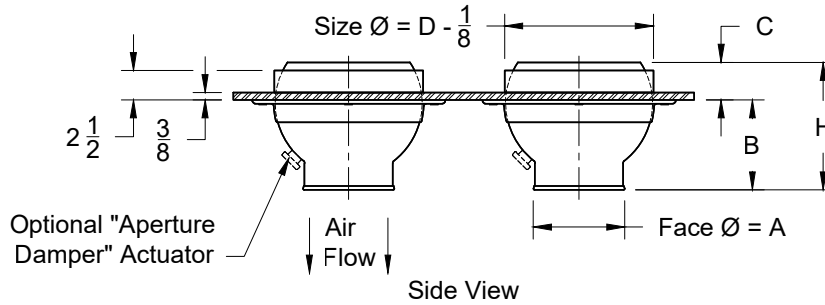
Round Neck Ø	Face Ø	Unit Front	Unit Back	Hole Location Ø	Panel Ø	Unit Depth	Mounting Holes
D	A	B	C	E	F	H	
6	3	3 5/8	1 1/8	7	8	4 3/4	4
8	4 3/8	4 5/8	1 3/4	9	10	6 1/8	4
10	5 3/4	6 1/4	2 1/2	11	12	8 3/4	6
12	7 3/8	6 1/2	3	13	14	9 1/2	6
14	8 5/8	7 3/8	4 1/8	15	16	11 1/2	6
16	9 3/4	8 1/2	4 5/8	17	18	13 1/8	6
18	10 1/2	10	4 5/8	19	20	14 5/8	8
20	12 3/8	11	5	21	22	16	8

1. Available Finishes	2. Available Accessories	3. Available Options	4. Construction Details
Standard Finish: 01 White Optional Finish: 02 Satin Silver 04 Clear Anodized 24 Mill Finish 28 Custom Color 42 Gloss Black 43 Flat Black 62 Gray Prime		D - Damper FDMR - Flex Duct Mounting Ring	<ul style="list-style-type: none"> Available Only in Listed Sizes Steel Construction (Standard), Aluminum Construction Available

All Dimensions ±1/16"

Model: XG-MPK-2P Punkah Louver - High Velocity Jet - 2 Units - Surface Mount

XG-MPK-2P - Surface Mount



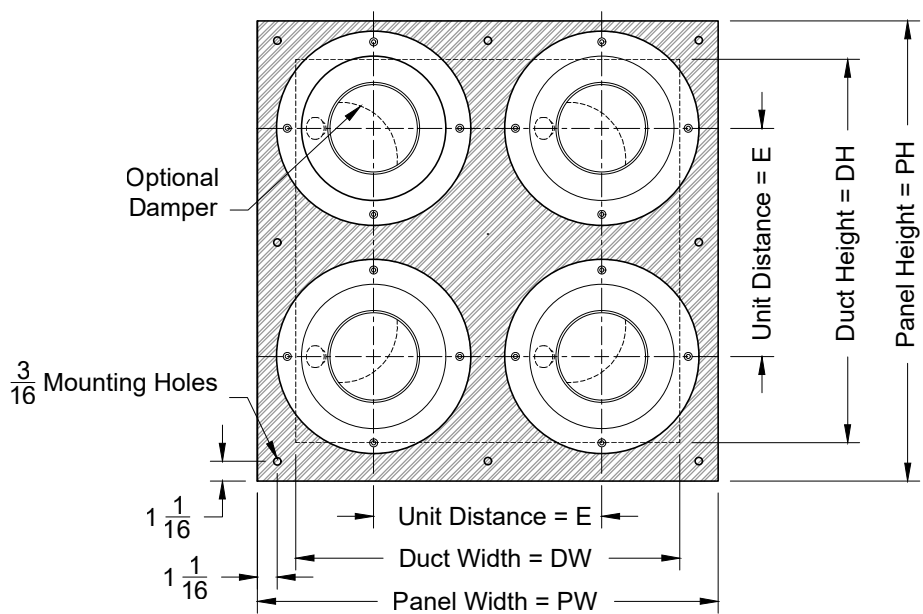
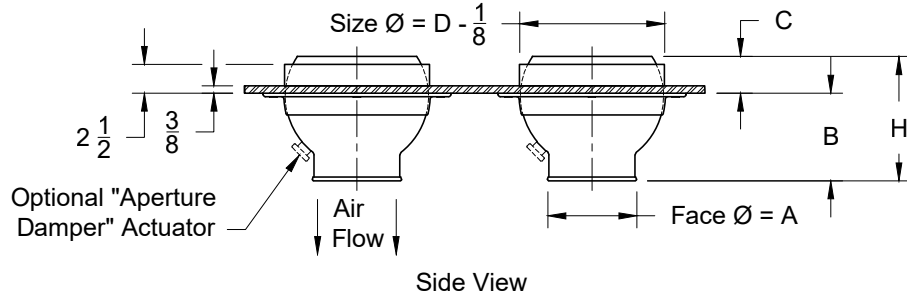
Round Neck Ø	Units	Panel		Duct		Face Ø	Unit Front	Unit Back	Unit Distance	Unit Depth
D	#	PW	PH	DW	DH	A	B	C	E	H
06	2	18 x 10	16 x 8	3	3 3/8	2 1/2	9	5 7/8		
08	2	24 x 12	22 x 10	4 3/8	4 9/16	2 1/2	11 1/2	7 1/16		
10	2	28 x 14	26 x 12	5 3/4	5 13/16	2 9/16	13 1/2	8 3/8		
12	2	32 x 16	30 x 14	7 3/8	6 5/16	2 11/16	15 1/2	9		
14	2	36 x 18	34 x 16	8 5/8	7 7/16	3 13/16	17 1/2	11 1/4		
16	2	40 x 20	38 x 18	9 3/4	8 9/16	4 7/16	19 1/2	13		
18	2	44 x 22	42 x 20	10 1/2	9 13/16	3 15/16	21 1/2	13 3/4		
20	2	48 x 24	46 x 22	12 3/8	11 3/16	4 9/16	23 1/2	15 3/4		

1. Available Finishes	2. Available Accessories	3. Available Options	4. Construction Details
Standard Finish: 01 White Optional Finish: 02 Satin Silver 04 Clear Anodized 24 Mill Finish 28 Custom Color 42 Gloss Black 43 Flat Black 62 Gray Prime		D - Damper FDMR - Flex Duct Mounting Ring	<ul style="list-style-type: none"> Available Only in Listed Sizes Steel Construction (Standard), Aluminum Construction Available

All Dimensions ±1/16"

Model: XG-MPK-4P Punkah Louver - High Velocity Jet - 4 Units - Surface Mount

XG-MPK-4P - Surface Mount



Round Neck Ø	Units	Panel		Duct		Face View		Unit Distance	Unit Depth	
		PW	PH	DW	DH	Face Ø	Unit Front			Unit Back
D	#	PW	PH	DW	DH	A	B	C	E	H
06	4	18 x 18	16 x 16	3	3 3/8	2 1/2	9	5 7/8		
08	4	24 x 24	22 x 22	4 3/8	4 9/16	2 1/2	11 1/2	7 1/16		
10	4	28 x 28	26 x 26	5 3/4	5 13/16	2 9/16	13 1/2	8 3/8		
12	4	32 x 32	30 x 30	7 3/8	6 5/16	2 11/16	15 1/2	9		
14	4	36 x 36	34 x 34	8 5/8	7 7/16	3 13/16	17 1/2	11 1/4		
16	4	40 x 40	38 x 38	9 3/4	8 9/16	4 7/16	19 1/2	13		
18	4	44 x 44	42 x 42	10 1/2	9 13/16	3 15/16	21 1/2	13 3/4		
20	4	48 x 48	46 x 46	12 3/8	11 3/16	4 9/16	23 1/2	15 3/4		

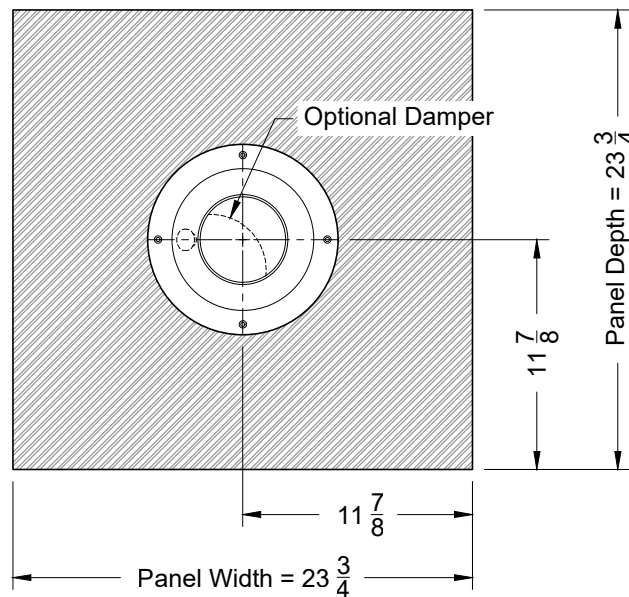
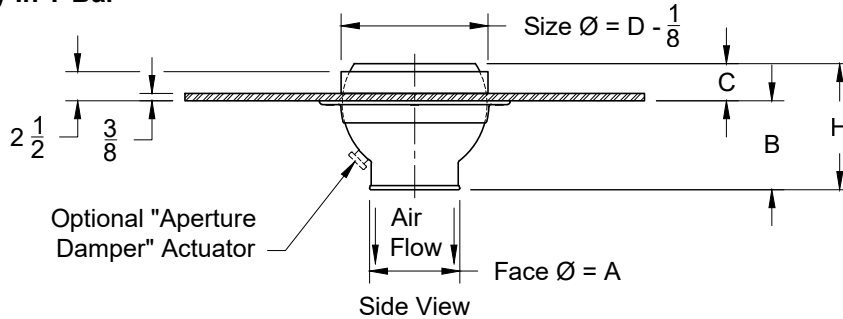
1. Available Finishes	2. Available Accessories	3. Available Options	4. Construction Details
Standard Finish: 01 White Optional Finish: 02 Satin Silver 04 Clear Anodized 24 Mill Finish 28 Custom Color 42 Gloss Black 43 Flat Black 62 Gray Prime		D - Damper FDMR - Flex Duct Mounting Ring	<ul style="list-style-type: none"> Available Only in Listed Sizes Steel Construction (Standard), Aluminum Construction Available

All Dimensions $\pm 1/16"$

Model: MPK-6

Punkah Louver - High Velocity Jet - Square Panel - Lay In T-Bar

XG-MPK-6 - Lay In T-Bar



Face View

Round Neck Ø	Units	Face Ø	Unit Front	Unit Back	Unit Depth
D	#	A	B	C	H
06	1	3	3 3/8	2 1/2	5 7/8
08	1	4 3/8	4 9/16	2 1/2	7 1/16
10	1	5 3/4	5 13/16	2 9/16	8 3/8
12	1	7 3/8	6 5/16	2 11/16	9
14	1	8 5/8	7 7/16	3 13/16	11 1/4
16	1	9 3/4	8 9/16	4 7/16	13
18	1	10 1/2	9 13/16	3 15/16	13 3/4
20	1	12 3/8	11 3/16	4 9/16	15 3/4

1. Available Finishes	2. Available Accessories	3. Available Options	4. Construction Details
Standard Finish: 01 White Optional Finish: 02 Satin Silver 04 Clear Anodized 24 Mill Finish 28 Custom Color 42 Gloss Black 43 Flat Black 62 Gray Prime		D - Damper FDMR - Flex Duct Mounting Ring	<ul style="list-style-type: none"> Available Only in Listed Sizes Steel Construction (Standard), Aluminum Construction Available

All Dimensions ±1/16"