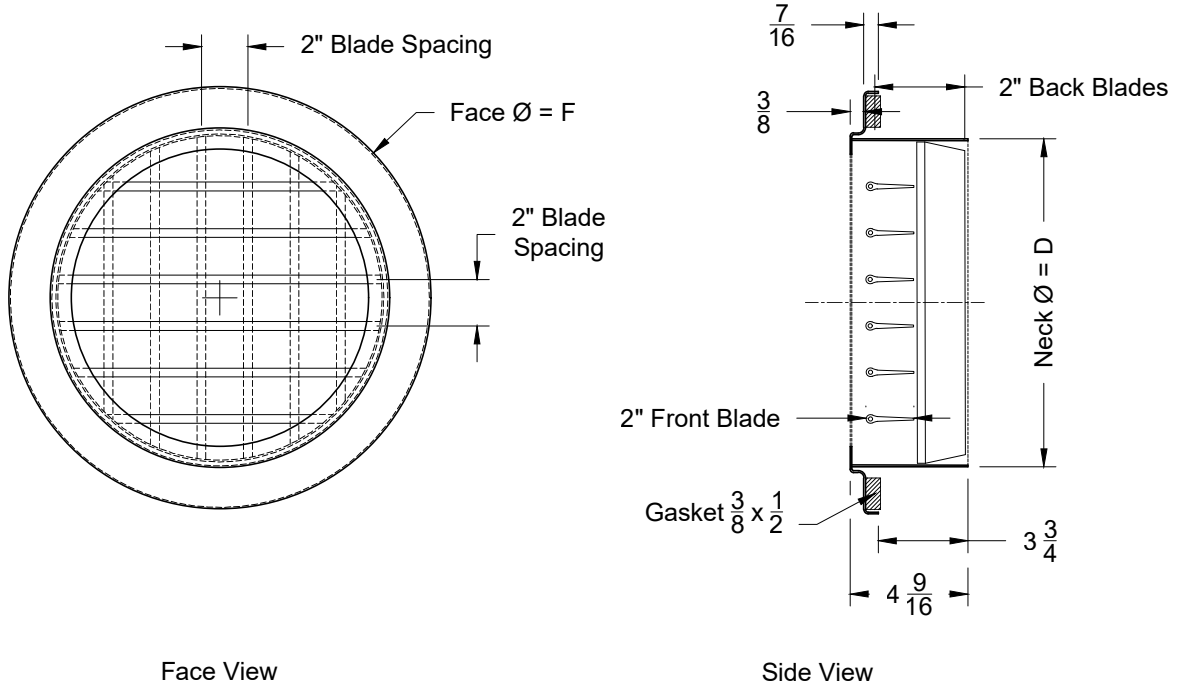


Model: XG-MRDDW

Adjustable Double Deflection Blades Wide Spacing - Flush Surface Mount

#### XG-MRDDW - Flush Surface Mount



Round Neck Ø	Neck Ø	Face Ø
C	D	F
6	5 5/8	8-5/16
8	7 5/8	10 -5/16
10	9 5/8	12-5/16
12	11 5/8	14-5/16
14	13 5/8	16-5/16
16	15 5/8	18-5/16
18	17 5/8	20-5/16
20	19 5/8	22-5/16
22	21 5/8	24-5/16
24	23 5/8	26-5/16

#### 1. Available Finishes

- Standard Finish:  
 01 White  
 Optional Finish:  
 02 Satin Silver  
 03 Black  
 24 Mill Finish  
 28 Custom Color

#### 2. Available Accessories

XG-BDS - Butterfly Damper

#### 3. Available Options

FDMR - Flex Duct Mounting Ring

#### 4. Construction Details

- Heavy Gage Aluminum
- Blades Mounted Horizontal & Vertical
- 2" Extruded Airfoil Blades on 2" Centers
- Foam Gasket
- Concealed Mounting System (Mounting Screws Included)

All Dimensions ±1/16"