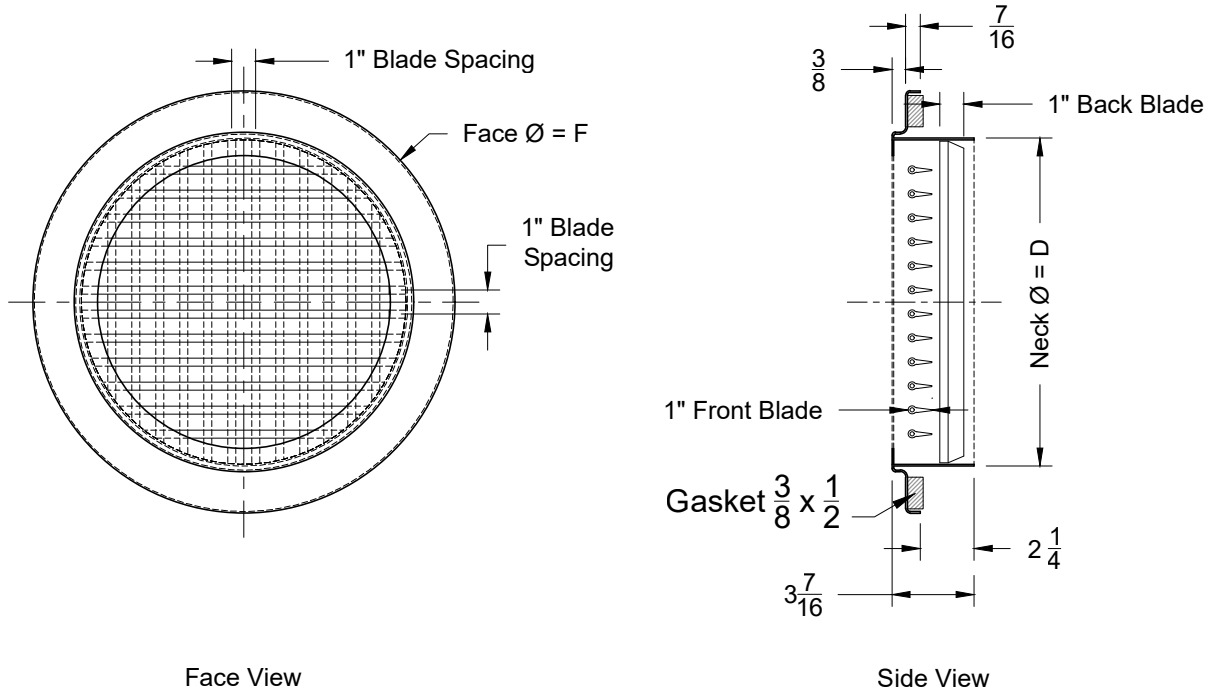


Model: XG-MRDD

Adjustable Double Deflection Blades - Flush Surface Mount

XG-MRDD - Flush Surface Mount



Round Neck Ø	Neck Ø	Face Ø
C	D	F
6	5 5/8	8 5/16
8	7 5/8	10 5/16
10	9 5/8	12 5/16
12	11 5/8	14 5/16
14	13 5/8	16 5/16
16	15 5/8	18 5/16
18	17 5/8	20 5/16
20	19 5/8	22 5/16
22	21 5/8	24 5/16
24	23 5/8	26 5/16

1. Available Finishes	2. Available Accessories	3. Available Options	4. Construction Details
Standard Finish: 01 White Optional Finish: 02 Satin Silver 03 Black 24 Mill Finish 28 Custom Color	XG-BDS - Butterfly Damper	FDMR - Flex Duct Mounting Ring	<ul style="list-style-type: none"> • Heavy Gage Aluminum • Blades Mounted Horizontal & Vertical • 1" Extruded Airfoil Blades on 1" Centers • Foam Gasket • Concealed Mounting System (Mounting Screws Included)

All Dimensions ±1/16"