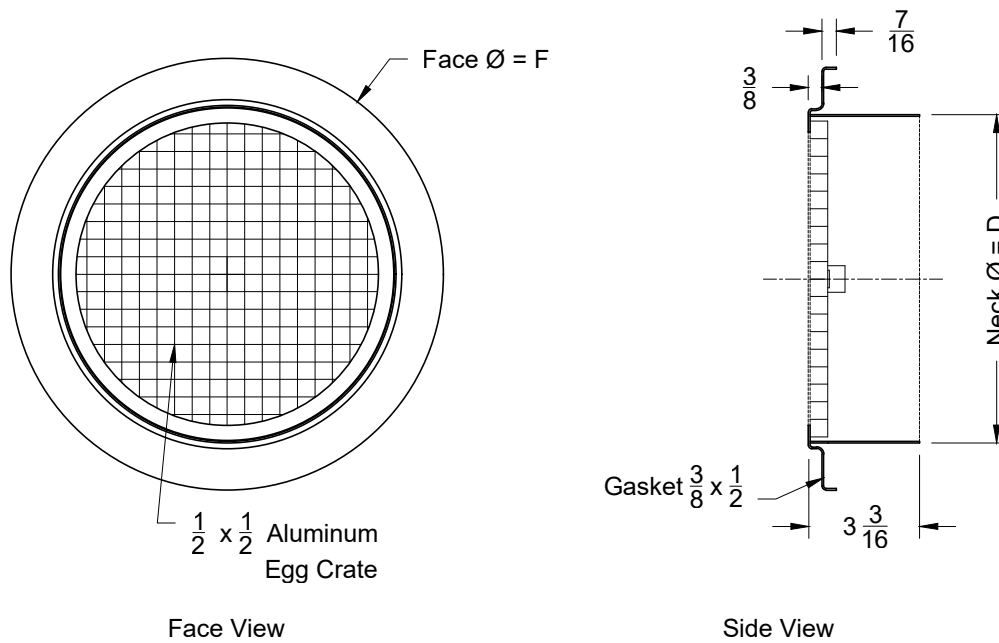


Model: XG-MREC Round Egg Crate Grille - Flush Surface Mount

XG-MREC - Flush Surface Mount



Listed Size	Neck Ø	Face Ø
	D	F
6	5 5/8	8-5/16
8	7 5/8	10 -5/16
10	9 5/8	12-5/16
12	11 5/8	14-5/16
14	13 5/8	16-5/16
16	15 5/8	18-5/16
18	17 5/8	20-5/16
20	19 5/8	22-5/16
22	21 5/8	24-5/16
24	23 5/8	26-5/16
30	29-5/8	32-5/16

1. Available Finishes	2. Available Accessories	3. Available Options	4. Construction Details
Standard Finish: 01 White Optional Finish: 02 Satin Silver 03 Black 24 Mill Finish 28 Custom Color	XG-BDS - Butterfly Damper		<ul style="list-style-type: none"> • 1/2 x 1/2 Egg Crate-Aluminum • Heavy Gage Aluminum • Concealed Mounting System (Mounting Screws Included)

All Dimensions ±1/16"