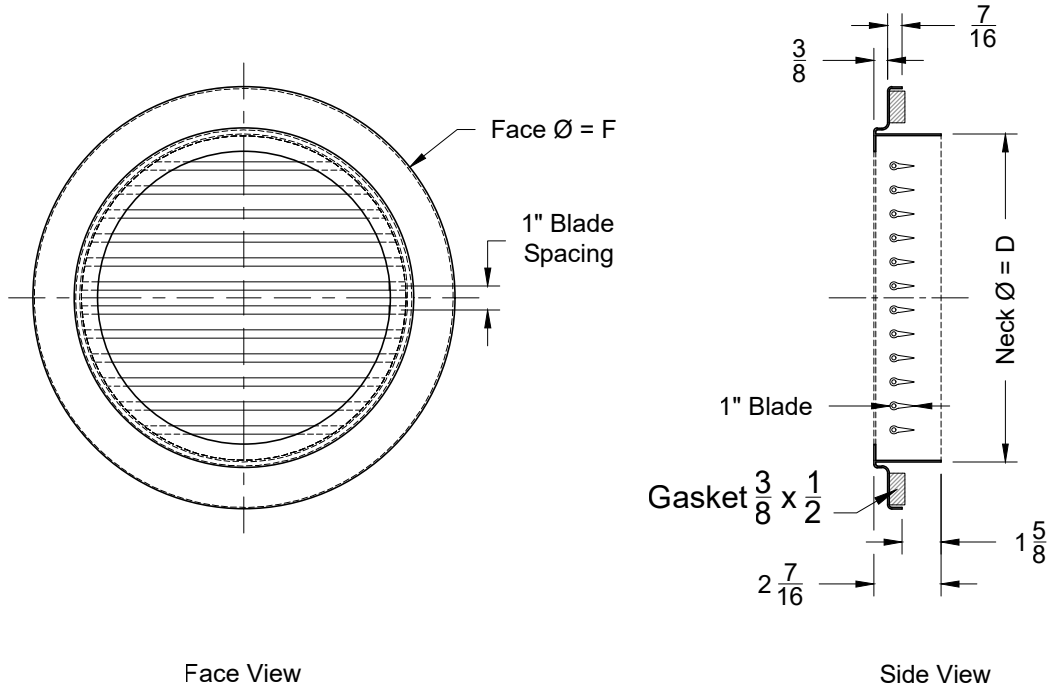


Model: XG-MRSD

Adjustable Single Deflection Blades - Flush Surface Mount

**XG-MRSD - Flush Surface Mount**



Round Neck Ø	Neck Ø	Face Ø
C	D	F
6	5 5/8	8-5/16
8	7 5/8	10 -5/16
10	9 5/8	12-5/16
12	11 5/8	14-5/16
14	13 5/8	16-5/16
16	15 5/8	18-5/16
18	17 5/8	20-5/16
20	19 5/8	22-5/16
22	21 5/8	24-5/16
24	23 5/8	26-5/16

**1. Available Finishes**

- Standard Finish:  
01 White  
Optional Finish:  
02 Satin Silver  
03 Black  
24 Mill Finish  
28 Custom Color

**2. Available Accessories**

XG-BDS - Butterfly Damper

**3. Available Options**

FDMR - Flex Duct Mounting Ring

**4. Construction Details**

- Heavy Gage Aluminum
- Blades Mounted Horizontal
- 1" Extruded Airfoil Blades on 1" Centers
- Foam Gasket
- Concealed Mounting System (Mounting Screws Included)

All Dimensions ±1/16"