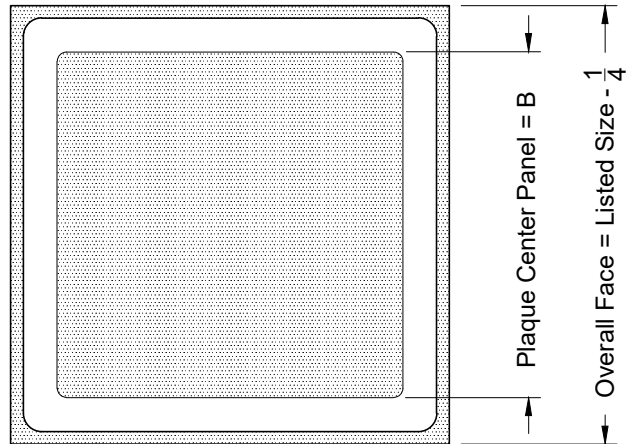
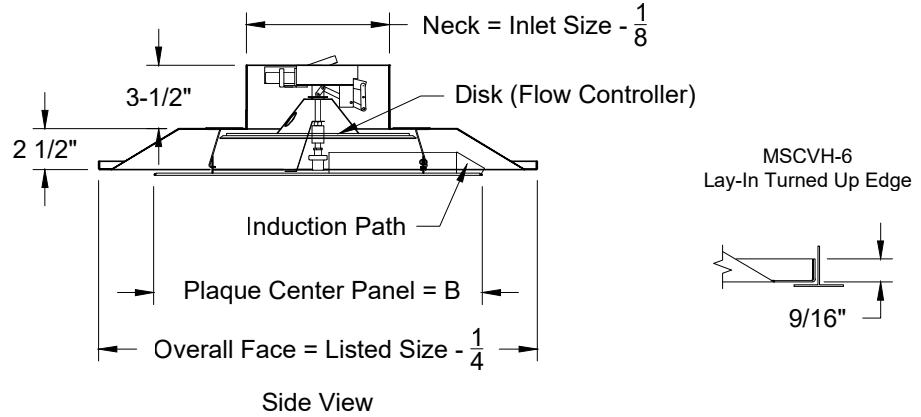


Model: XG-MSCVH-6 AL Plaque Diffuser with Heating and Cooling Control - T-Bar Lay-In

XG-MSCVH-6 AL - T-Bar Lay-In



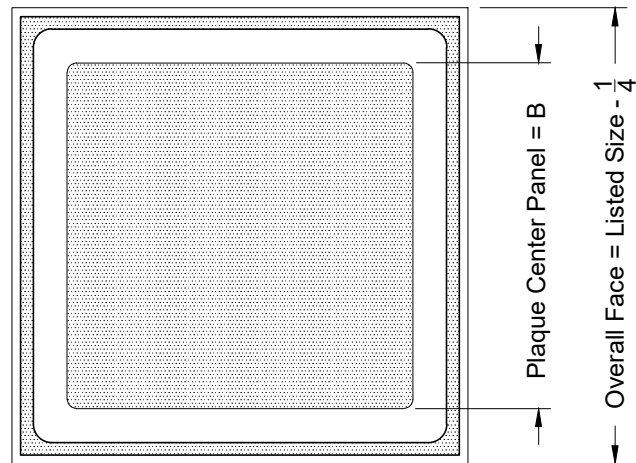
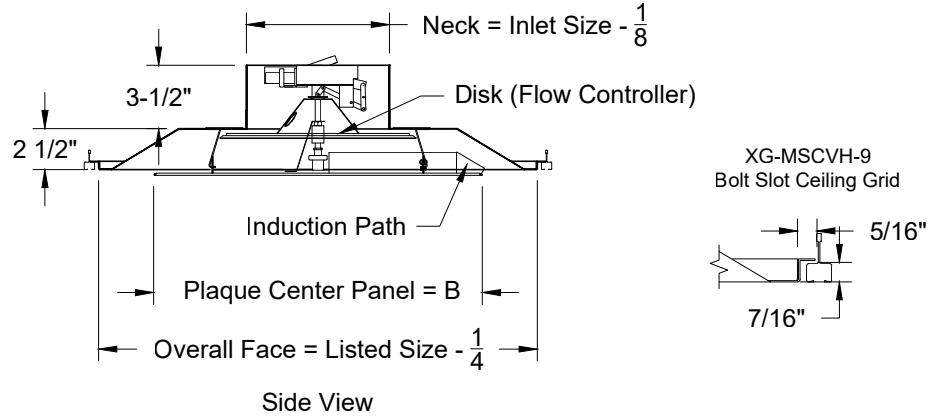
Listed Size Nominal Face	Plaque Center Panel B	Available Round Inlets
12 x 12	9 x 9	6
24 x 24	18 x 18	8
		10
		12

1. Available Finishes	2. Available Accessories	3. Available Options	4. Construction Details
Standard Finish: 01 White Optional Finish 03 Black	XG-BPRA - By-Pass Relief Damper XG-TBPF - T-Bar Plaster Frame		<ul style="list-style-type: none"> Steel Construction (Standard) Sizes Available only as listed

All Dimensions ±1/16"

Model: XG-MSCVH-9 AL Plaque Diffuser with Heating and Cooling Control - Bolt Slot / Don Fineline Ceiling Grid

XG-MSCVH-9 AL - Bolt Slot / Don Fineline Ceiling Grid



Face View

Listed Size Nominal Face	Plaque Center Panel B	Available Round Inlets
12 x 12	9 x 9	6
24 x 24	18 x 18	8
		10
		12

1. Available Finishes	2. Available Accessories	3. Available Options	4. Construction Details
Standard Finish: 01 White Optional Finish 03 Black	XG-BPRA - By-Pass Relief Damper XG-TBPF - T-Bar Plaster Frame		<ul style="list-style-type: none"> • Steel Construction (Standard) • Sizes Available only as listed

All Dimensions ±1/16"