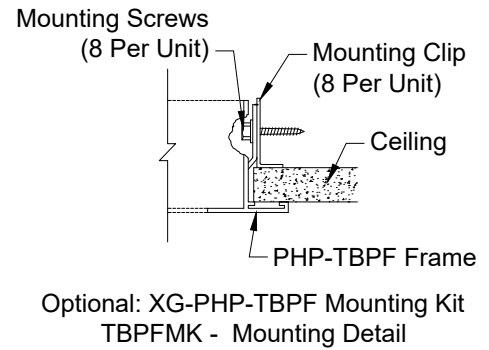
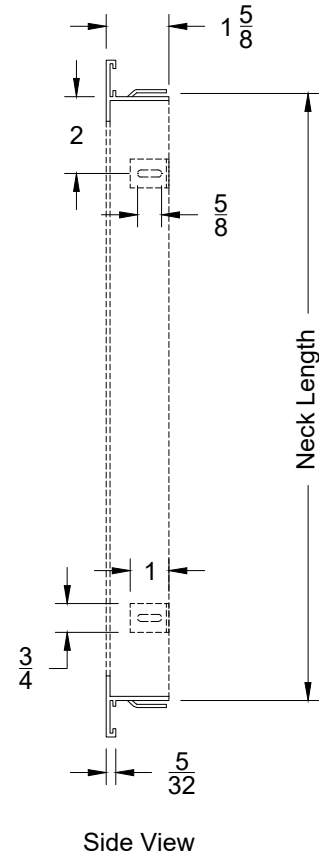
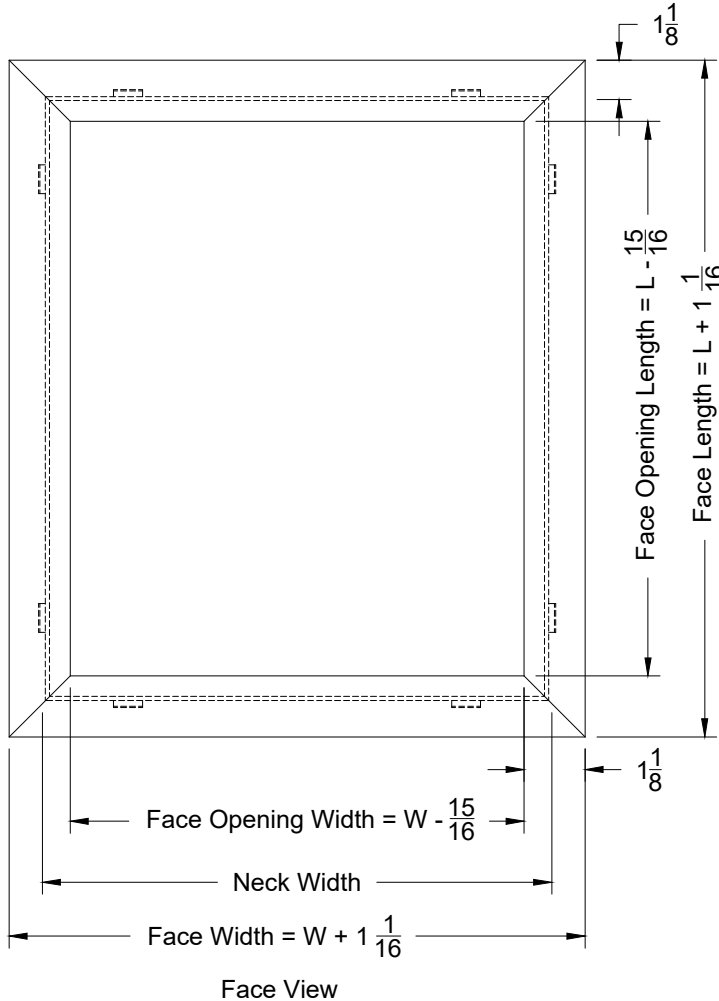


Model: XG-PHP-TBPF T-Bar Plaster Frame for XG-PHPS, XG-PHPSI & XG-PHPR, XG-PHPRI Plenum Slot Diffuser

### XG-PHP-TBPF - T-Bar Plaster Frame



Model	PHP Length = L	XG-PHP-TBPF Neck Width (w)			
		1 SLOT	2 SLOT	3 SLOT	4 SLOT
PHP-TBPF-50	24,36,48,60	2	3 1/2	5	6 1/2
PHP-TBPF-75	24,36,48,60	2 1/4	4	5 3/4	7 1/2
PHP-TBPF-10	24,36,48,60	2 1/2	4 1/2	6 1/2	8 1/2
PHP-TBPF-15	24,36,48,60	3	5 1/2	8	10 1/2

1. Available Finishes	2. Available Accessories	3. Available Options	4. Construction Details
Standard Finish: 01 White Optional Finish 24 Mill		TBPFMK - T-Bar Plaster Frame Mounting Kit	<ul style="list-style-type: none"> <li>Aluminum Construction</li> </ul>

All Dimensions ±1/16"