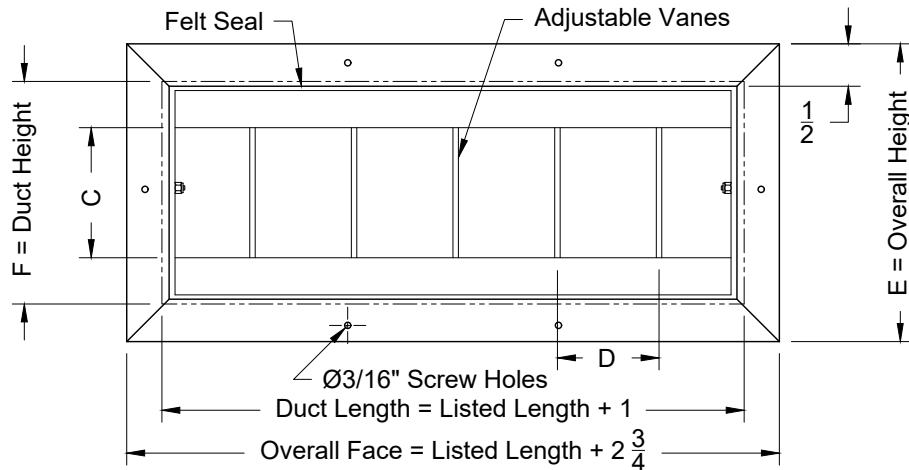
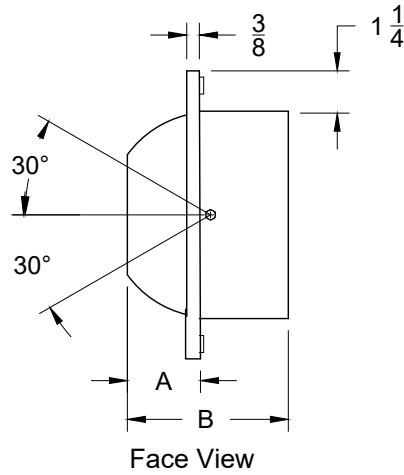


Model: XG-RL

Roto Louver - Standard Blades

**XG-RL - Surface Mount**



Description		Available Height					
		4"	6"	8"	10"	12"	15"
Drum Depth	<b>A</b>	1 1/4	1 3/4	2	2 5/8	3	3 1/2
Unit Depth	<b>B</b>	3 3/4	4 3/8	3 3/4	6 1/8	6 1/8	8
Blade Opening	<b>C</b>	1 1/2	3 1/2	4 5/8	5 7/8	6 1/4	9 1/2
Blade Spacing	<b>D</b>	3	3	3	5	5	5
Overall Height	<b>E</b>	6 1/2	8 1/2	10 3/4	12 1/4	13 7/8	16 7/8
Duct Height	<b>F</b>	4 1/2	6 1/2	8 1/2	10 1/2	12 1/2	15 1/2

**1. Available Finishes**

Standard Finish:  
 01 White  
 Finish  
 24 Mill Finish  
 Optional Finish  
 02 Satin Silver  
 03 Black  
 04 Clear Anodized  
 28 Custom Color

**2. Available Accessories**

XG-OBD - Steel Opposed Blade Damper  
 XG-OBDA - Aluminum OBD

**3. Available Options**

**4. Construction Details**

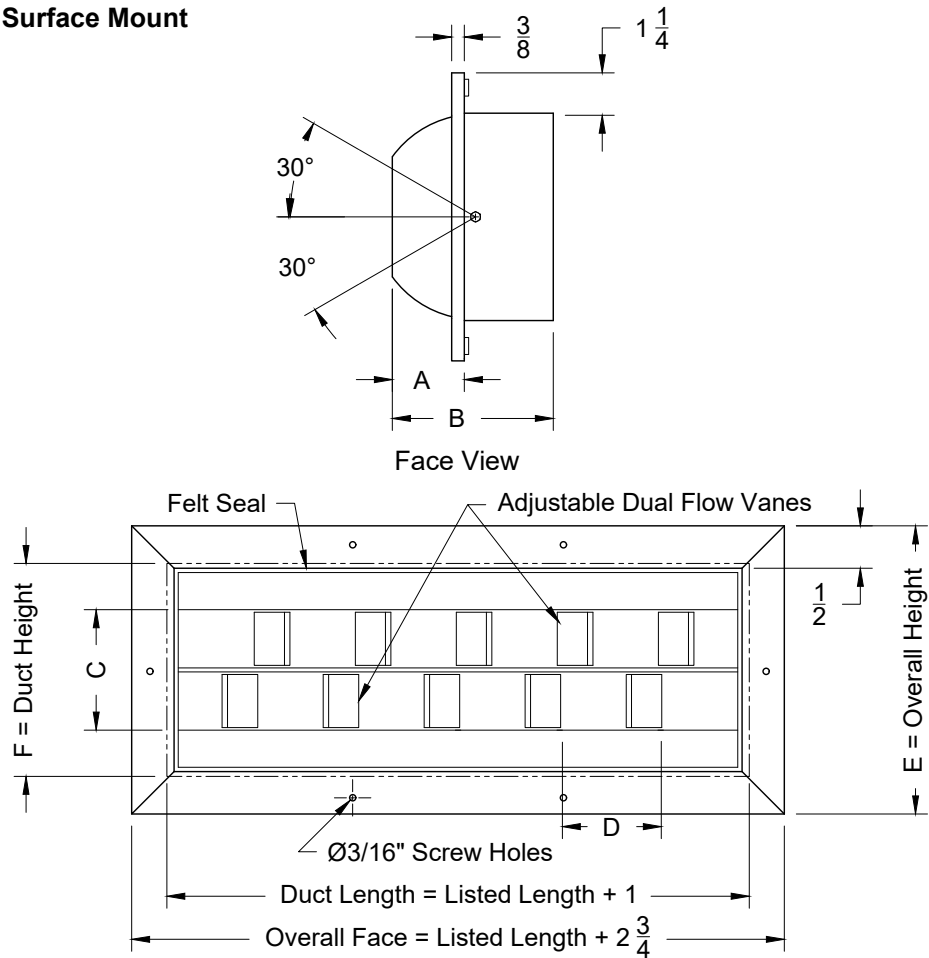
• Refer to the Selection Software for Available Sizes

All Dimensions ±1/16"

Model: XG-RL-DF

Roto Louver - Dual Flow Blades

### XG-RL-DF - Surface Mount



Description		Available Height				
		6"	8"	10"	12"	15"
Drum Depth	<b>A</b>	1 3/4	2	2 5/8	3	3 1/2
Unit Depth	<b>B</b>	4 3/8	3 3/4	6 1/8	6 1/8	8
Blade Opening	<b>C</b>	3 1/2	4 5/8	5 7/8	6 1/4	9 1/2
Blade Spacing	<b>D</b>	3	3	5	5	5
Overall Height	<b>E</b>	8 1/2	10 3/4	12 1/4	13 7/8	16 7/8
Duct Height	<b>F</b>	6 1/2	8 1/2	10 1/2	12 1/2	15 1/2

#### 1. Available Finishes

Standard Finish:  
01 White  
Finish  
24 Mill Finish  
Optional Finish  
02 Satin Silver  
03 Black  
04 Clear Anodized  
28 Custom Color

#### 2. Available Accessories

XG-OBDA - Steel Opposed Blade Damper  
XG-OBDA - Aluminum OBD

#### 3. Available Options

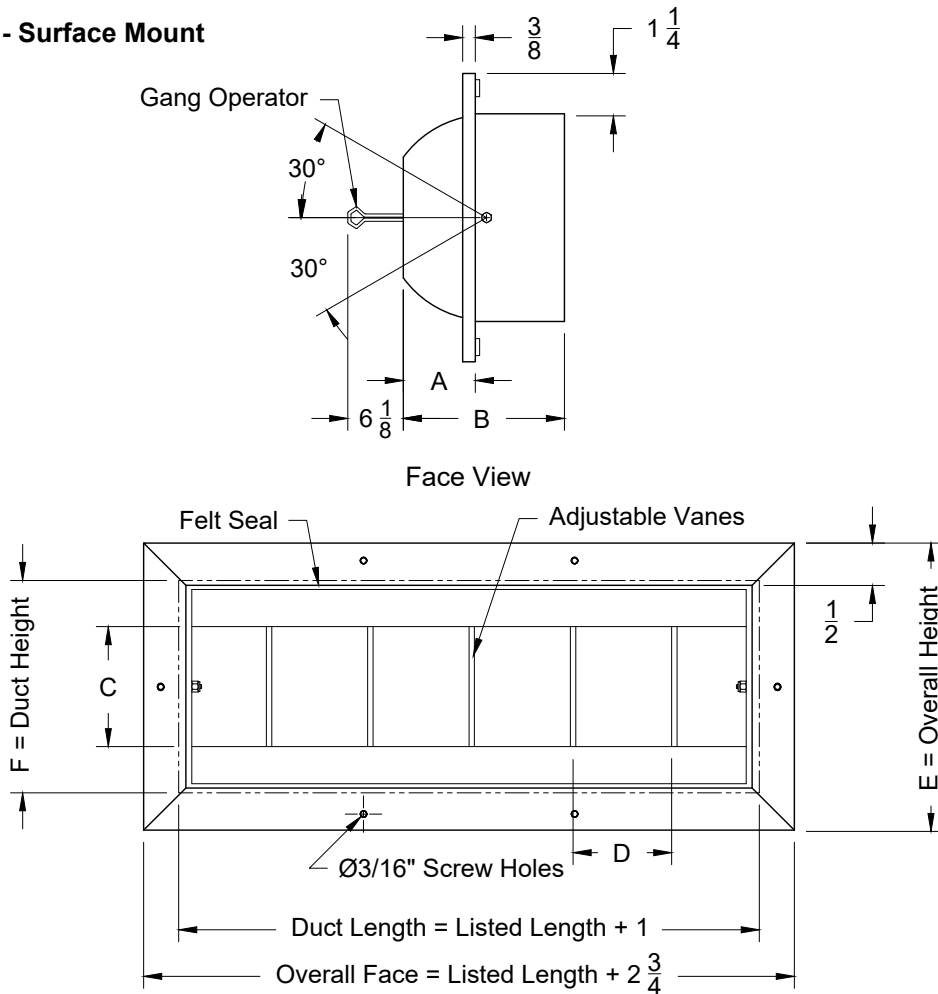
#### 4. Construction Details

- Refer to the Selection Software for Available Sizes

All Dimensions ±1/16"

Model: XG-RL-GO Roto Louver - Standard Blades with Gang Operator

### XG-RL-GO - Surface Mount



Description		Available Height					
		4"	6"	8"	10"	12"	15"
Drum Depth	A	1 1/4	1 3/4	2	2 5/8	3	3 1/2
Unit Depth	B	3 3/4	4 3/8	3 3/4	6 1/8	6 1/8	8
Blade Opening	C	1 1/2	3 1/2	4 5/8	5 7/8	6 1/4	9 1/2
Blade Spacing	D	3	3	3	5	5	5
Overall Height	E	6 1/2	8 1/2	10 3/4	12 1/4	13 7/8	16 7/8
Duct Height	F	4 1/2	6 1/2	8 1/2	10 1/2	12 1/2	15 1/2

#### 1. Available Finishes

Standard Finish:  
01 White  
Finish  
24 Mill Finish  
Optional Finish  
02 Satin Silver  
03 Black  
04 Clear Anodized  
28 Custom Color

#### 2. Available Accessories

XG-OBD - Steel Opposed Blade Damper  
XG-OBDA - Aluminum OBD

#### 3. Available Options

#### 4. Construction Details

- Refer to the Selection Software for Available Sizes

All Dimensions  $\pm 1/16"$