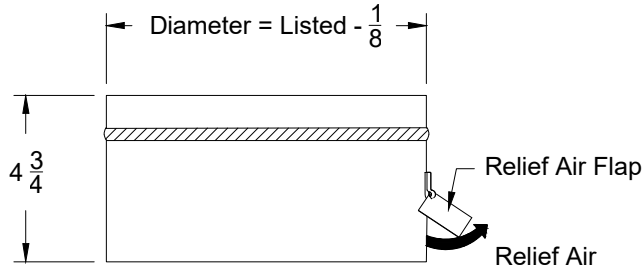


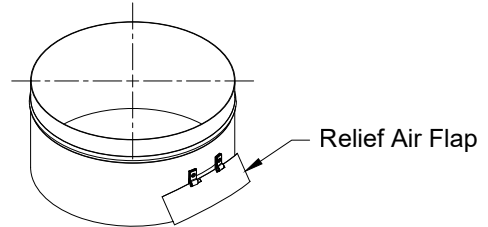
Model: XG-RR

Relief Ring Bypass Adapter - Option for Static Pressure Control

XG-RR - Option for Static Pressure Control

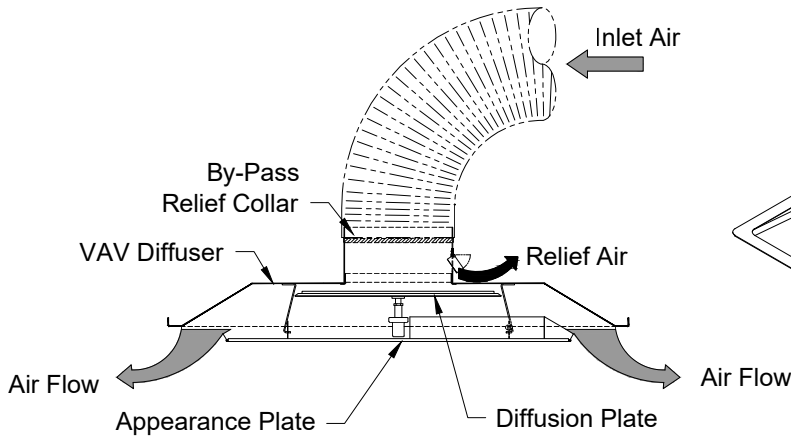


Side View

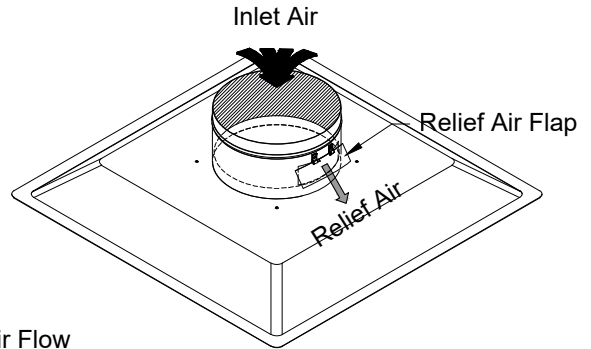


3D View

Available for Round Inlets
6
8
10
12



Relief Ring installed on VAV Diffuser



Relief Ring installed on VAV Diffuser

1. Available Finishes	2. Available Accessories	3. Available Options	4. Construction Details
			<ul style="list-style-type: none"> • 24ga Galvanized Steel Construction • Sizes Available only as listed • Available only for 24" x 24" Diffusers • Relief Ring Inlet size will be equal to diffuser inlet diameter size

All Dimensions ±1/16"